

Contact Us

Address: A-Head 4 Healeys Ltd
81 Somers Road
Rugby
Warwickshire
CV22 7DG
England

Telephone: 0044 (0)1788 565000
Fax: 0044 (0)1788 565001
Email: info@ahead4healeys.co.uk
sales@ahead4healeys.co.uk
accounts@ahead4healeys.co.uk

Website: www.ahead4healeys.co.uk

The Partners: Gary Dexter (Manufacturing)
Keith Bates (Sales)
Marc Beacham (Accounts & Purchasing)
Mike Hollingworth (Sales)

The Team: Steve Windsor (Warehouse Manager)
Roseanne Mackie (Upholstery & Trimming)
Andrew Campbell (Administration)
Tony Edwards (Warehouse & Sales)
Gareth Williamson (Goods Outwards)

Hours of Business: Monday: Friday 9am – 6pm
Saturday: 9:30am – 12:30pm
Sunday: Closed

(Please check our website or contact us regarding public and national holidays).



Additional Information

Payment

Should be made with order:

- **Cheques** - Should be made payable to A Head 4 Healeys Ltd with name, address and cheque card number on the reverse.
- **Credit Card** - We accept most major credit cards (Please state main number, security code, valid from and expiry date).
- **PayPal** – An alternative and secure method of payment.
- **Bank Transfer** - Please ensure that all charges are pre-paid in order that we receive the full amount of the invoice and request that the payee be informed.

Our bank details are as follows:

HSBC Bank
126 The Parade
PO Box 88
Leamington Spa
Warwickshire
CV32 4BU

Account Name: A Head 4 Healeys Ltd
Account Reference: 82020335
Sorting Code: 40-27-06
SWIFT (BIC): MIDLGB2105A
IBAN: GB31MIDL40270682020335

Online orders/enquiries

Orders or enquiries can be sent via our website (www.ahead4healeys.co.uk). Our website is secure and online orders can be sent through our website with confidence.

Shortages

It is our intention to ensure that your order is correct at the point of despatch but in the unlikely event that a part of your order is missing, then please check contents and all packaging on receipt of order before reporting shortages to us.

Returns

Any parts that are incorrectly supplied or defective will be exchanged or refund given. Goods returned for any other reason must be not have been modified or fitted and returned within 30 days of the invoice date. They will then be subject to a 15% handling charge.

Warranty Claims

In the unlikely event that a product proves to be faulty, we will require you to supply an invoice number covering its purchase. A Product must be returned in order that we can confirm its fault. All new parts carry a 12 month manufacturer's warranty subject to their conditions and commences from our invoice date, not its installation. Please note that the warranty covers the cost of the product only and does not extend to any additional costs.

Copyright

All catalogue and website design, text and graphics are Copyright 2012, A Head 4 Healeys Ltd, ALL RIGHTS RESERVED. Material within this catalogue or our website (www.ahead4healeys.co.uk) may only be viewed and must not be copied, modified or distributed in any way without the express permission of A Head 4 Healeys Limited.

Additional Information

Genuine O/E and Used Parts and Products

We offer many products and parts that are difficult to find elsewhere (i.e. used, serviceable parts and genuine Lucas or BMC parts). Whilst we seek to stock as many of these parts as possible, accessibility to these parts can vary from time to time. Please note that it would be pertinent to enquire about availability before ordering.

Prices

Whilst A-Head 4 Healeys aims to maintain competitive prices for as long as possible, we reserve the right to alter prices without prior notice.

All prices herein are listed excluding VAT. The current rate of VAT is 20%

Catalogue prices

Our illustrated catalogues are free of charge but due to spiralling costs we must ask a small fee to cover postage. Please note that a PDF format of our catalogue is available to download from our homepage at www.ahead4healeys.co.uk. Catalogues included with orders to be shipped are free of charge, otherwise please note the following charges:

UK:	£3.50
EUROPE:	£7.50
REST OF WORLD:	£12.50

Please contact us if you wish to receive a catalogue.

Contents

AC	Accessories	2	GC	Gearbox 4 Speed Centre	94
BD	Badges	4	GS	Gearbox 4 Speed Side	96
BN	Bonnet	6	GL	Grille	101
BK	Books	8	HD	Hood & Tonneau	103
BT	Boot	9	IP	Inner Body Panels	108
BR	Brakes	11	IS	Instruments	117
BP	Bumpers	20	LG	Lighting	120
CS	Cables	22	MS	Mirrors	124
CB	Carpets	24	MC	Miscellaneous	126
CL	Clutch	29	OD	Overdrive	129
CH	Cooling & Heating	32	OP	Outer Body Panels	132
DS	Dashboard & Fittings	38	RX	Rear Axle	138
DR	Door Fittings	41	ST	Seats	142
EG	Electrical - General	46	SD	Sidescreens	144
EI	Electrical - Ignition	51	SG	Steering	146
ES	Electrical - Switches	55	SF	Suspension Front	151
EN4	Engine 4 Cylinder	58	SR	Suspension Rear	156
EN6	Engine 6 Cylinder	65	TP	Trim Panels	159
EX	Exhaust	76	UP	Upholstery	163
FN	Fasteners	79	WE	Wheels	170
FL	Fuel	81	WG	Wing Fittings	173
GT	Gearbox 3 Speed	92	WS	Windscreens & Glass	175

Accessories

AC

PART №	DESCRIPTION	APPLICATION	QTY	NOTES	PRICE
AC4010	HEAD LAMP STONE GUARDS - PR	BN1-BJ8	1	ATC4178 (222-100)	£15.05
AC4015	CIGAR LIGHTER	BN1-BJ8	1	AHH7010	£15.25
AC4020	BADGE BAR - 4CYL	BN1-BN2	1	(870-125)	£76.23
AC4021	BADGE BAR - 6CYL	BN4-BJ8	1	(870-130)	£49.50
AC4022	BADGE BAR - 6CYL (NO LAMP MTGS)	BN4-BJ8	1		£32.50
AC4023	BADGE BAR - 4 & 6CYL (APRON MOUNTED)	BN1-BJ8	1		£28.56
AC4024	BADGE BAR - 6CYL (SHORTENED)	BN4-BJ8	1	C/W LAMP MTGS	£76.30
AC4030	AERO SCREEN - BROOKLANDS	BN1-BJ8	2	(224-100)	£57.50
AC4035	WIND DEFLECTOR SET (PR)	BN1-BJ8	1		£49.95
AC4040	UNION JACK BADGE - ENAMEL (SCREW FIT)	BN1-BJ8	AR	(229-308)	£6.50
AC4050	UNION JACK BADGE - SELF ADHESIVE	BN1-BJ8	AR		£2.23
AC4051	UNION JACK BADGE - ENAMEL (SELF ADHESIVE)	BN1-BJ8	AR		£6.45
AC4060	LAPEL BADGE	BN1-BJ8	AR		£3.68
AC4070	OIL COOLER - C/W FLEXIBLE PIPES	100S	1		£876.75
AC4080	OIL COOLER RADIATOR (13 ROW)	BN1-BJ8	1	ARA221 (235-925)	£34.95
AC4085	BRACKETS - OIL COOLER (13 ROW) - 4 CYL.	BN1-BN2	1		£14.50
AC4086	BRACKETS - OIL COOLER (13 ROW) - 6 CYL.	BN4-BJ8	1		£31.90
AC4090	FITTING KIT - OIL COOLER	BN1-BJ8	1		£76.85
AC4091	ADAPTER - OIL COOLER (FOR SPIN ON FILTER) & UNIONS	BN1-BJ8	1		£32.71
AC4092	ADAPTER - OIL COOLER - THERMOSTATIC & UNIONS	BN1-BJ8	1		£55.91
AC4093	OIL THERMOSTAT - 1/2IN SCREW FITTING	BN1-BJ8	1		£55.00
AC4094	OIL THERMOSTAT - PUSH FITTING	BN1-BJ8	1		£26.95
AC4095	OIL COOLER KIT - 5/8IN BORE	BN4-BJ8	1	C/W SPIN OFF FILTER	£165.00
AC4096	HOSE SET - OIL COOLER (RUBBER) PR	BN1-BJ8	1		£28.50
AC4097	HOSE SET - OIL COOLER (BRAIDED STAINLESS)	BN1-BJ8	1		£72.50
AC4100	CAR COVER - SEMI TAILORED - MOSUM PLUS	BN1-BJ8	1	(237-430)	£109.71
AC4101	CAR COVER - TAILORED BLACK CANVAS	BN1-BJ8	1		£118.80
AC4102	CAR COVER - TAILORED CALICO	BN1-BJ8	1		£78.70
AC4103	CAR COVER - BREATHABLE (ELASTICATED)	BN1-BJ8	1		£51.99
AC4105	COVER - WING PROTECTOR (AH LOGO)	BN1-BJ8	1 OR 2	(241-735)	£19.95
AC4110	RUBBER FLOOR MATS - PR (HEALEY LOGO)	BN1-BJ8	1	(021-430)	£28.89
AC4115	FLOOR MAT SET - EMBROIDED (PR) BLACK	BN1-BJ8	1	(240-490)	£50.95
AC4116	FLOOR MAT SET - EMBROIDED (PR) BLUE	BN1-BJ8	1		£62.50
AC4270	GEAR LEVER KNOB - WOOD	BN2-BJ8	1		£7.86
AC4272	GEAR LEVER KNOB - LEATHER	BN2-BJ8	1		£6.30
AC4275	GEAR LEVER KNOB - WALNUT	BN2-BJ8	1	(021-403)	£16.95
AC4280	KEY RING - HEALEY MOTOR CO.	BN1-BJ8	AR		£7.25
AC4287	FAN CONTROL - 35MM (REVOTEC)	BN1-BJ8	1		£73.50
AC4290	KENLOWE ELECTRIC FAN KIT - 10IN	BN1-BN2	1		£129.97
AC4291	KENLOWE ELECTRIC FAN KIT - 13IN	BN4-BJ8	1		£159.95
AC4292	KENLOWE ELECTRIC FAN KIT - HEAVY DUTY	BN4-BJ8	1		£141.15
AC4296	THERMOSTAT & SENSOR ASSEMBLY (KENLOWE FAN)	BN1-BJ8	1		£48.50
AC4297	SWITCH - MANUAL OVERRIDE (KENLOWE FAN)	BN1-BJ8	1		£7.95
AC4298	STRAP KIT - KENLOWE FAN (PLASTIC)	BN1-BJ8	1		£12.50
AC4300	SCREEN DEMISTER - CHROME (ORIG. LUCAS)	BN1-BJ8	2		£135.95
AC4305	AERIAL - RADIO (ADJUSTABLE) CHROME	BN1-BJ8	1		£8.50

Accessories

PART No	DESCRIPTION	APPLICATION	QTY	NOTES	PRICE
AC4320	TAX DISC HOLDER	BN1-BJ8	1		£1.59
AC4321	TAX DISC HOLDER	BN1-BJ8	1		£3.06
AC4324	INNER WHEEL ARCH COVER - ALUMINIUM (PR)	BN1-BJ8	1		£117.65
AC4330	FIRE EXTINGUISHER - 1.75 LITRE	BN1-BJ8	AR		£56.65
AC4340	BAR STOOL - AH LOGO	BN1-BJ8	AR		£87.50
AC4395	GREETINGS CARD - AUSTIN-HEALEY	BN1-BJ8	AR		£1.95



Badges

BD

BD4010



BD4020

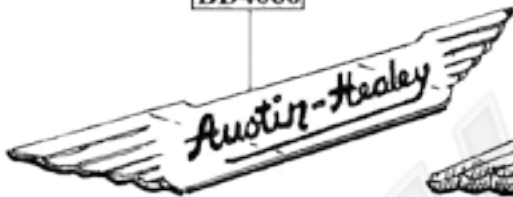


BD4030



BD4140

BD4060



BD4070



BD4080
BD4081



BD4040



BD4050



BD4110



BD4120



BD4090



BD4100



BD4130

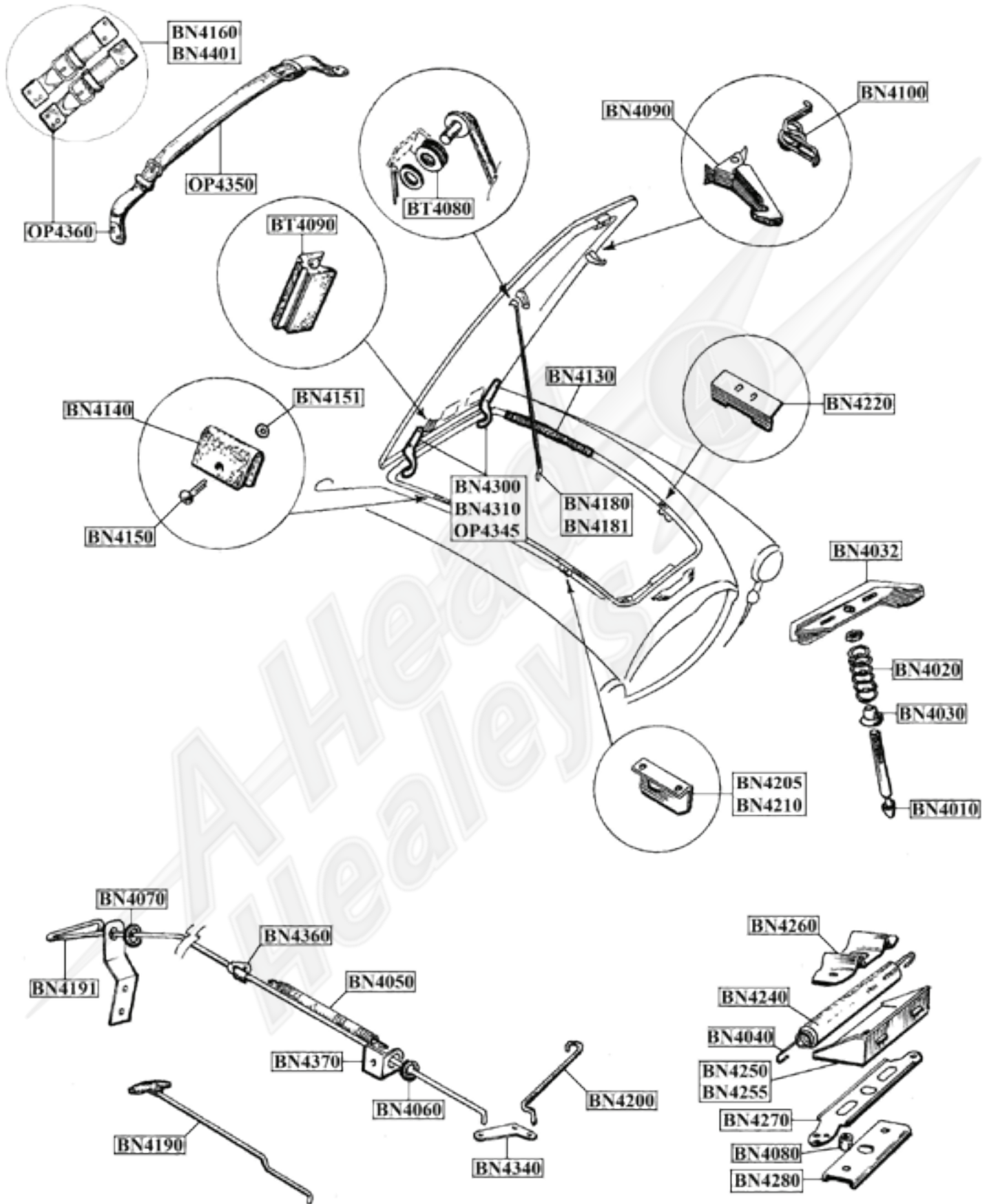


Badges

PART №	DESCRIPTION	APPLICATION	QTY	NOTES	PRICE
BD4010	100 GRILLE BADGE	BN1-BN2	1	14B1724 (021-737)	£10.79
BD4012	100M GRILLE BADGE	100M	1	14B1724M	£32.50
BD4014	S GRILLE BADGE	100S	1		£69.95
BD4020	100/6 GRILLE BADGE	BN4-BN6	1	14B5772 (021-740)	£10.50
BD4030	3000 BADGE	BT7-BJ8	1 OR 2	AHB8861 (021-738)	£9.95
BD4040	AUSTIN OF ENGLAND BOOT BADGE	BN1 (EARLY CARS)	1	(021-741)	£15.95
BD4050	AH BOOT BADGE	BN1-BJ8	1	8G705 (021-731)	£7.05
BD4060	AH SHROUD BADGE	BN1-BT7 MK1	1	14B1723 (021-725)	£34.50
BD4070	SHROUD BADGE - ENAMEL FINISH	BT7 MK2-BJ7	1	AHB9014 (601-280)	£95.00
BD4081	SHROUD BADGE - ENAMEL FINISH	BJ8	1	AHB6012 (021-739)	£88.75
BD4090	BADGE FIXING CLIP - FLASH BADGE	BN1-BJ8	AR	BHA4082 (326-665)	£0.09
BD4092	BADGE FIXING CLIP - FRONT SHROUD	BN1-BT7 MK1	2	14B1998	£0.18
BD4100	BADGE FIXING CLIP - BOOT BADGE	BN1-BJ8	3	PFS106 (326-530)	£0.10
BD4110	HEALEY WARWICK BADGE	BN1-BJ8	1	(408-460)	£32.80
BD4120	HEALEY WARWICK BADGE - STUD FIT	BN1-BJ8	2		£9.85
BD4130	BADGE CLIP - BADGE BAR FITTING	BN1-BJ8	AR		£1.95
BD4140	M EMBLEM	100M	1	(021-742)	£14.35

Bonnet

BN



Bonnet

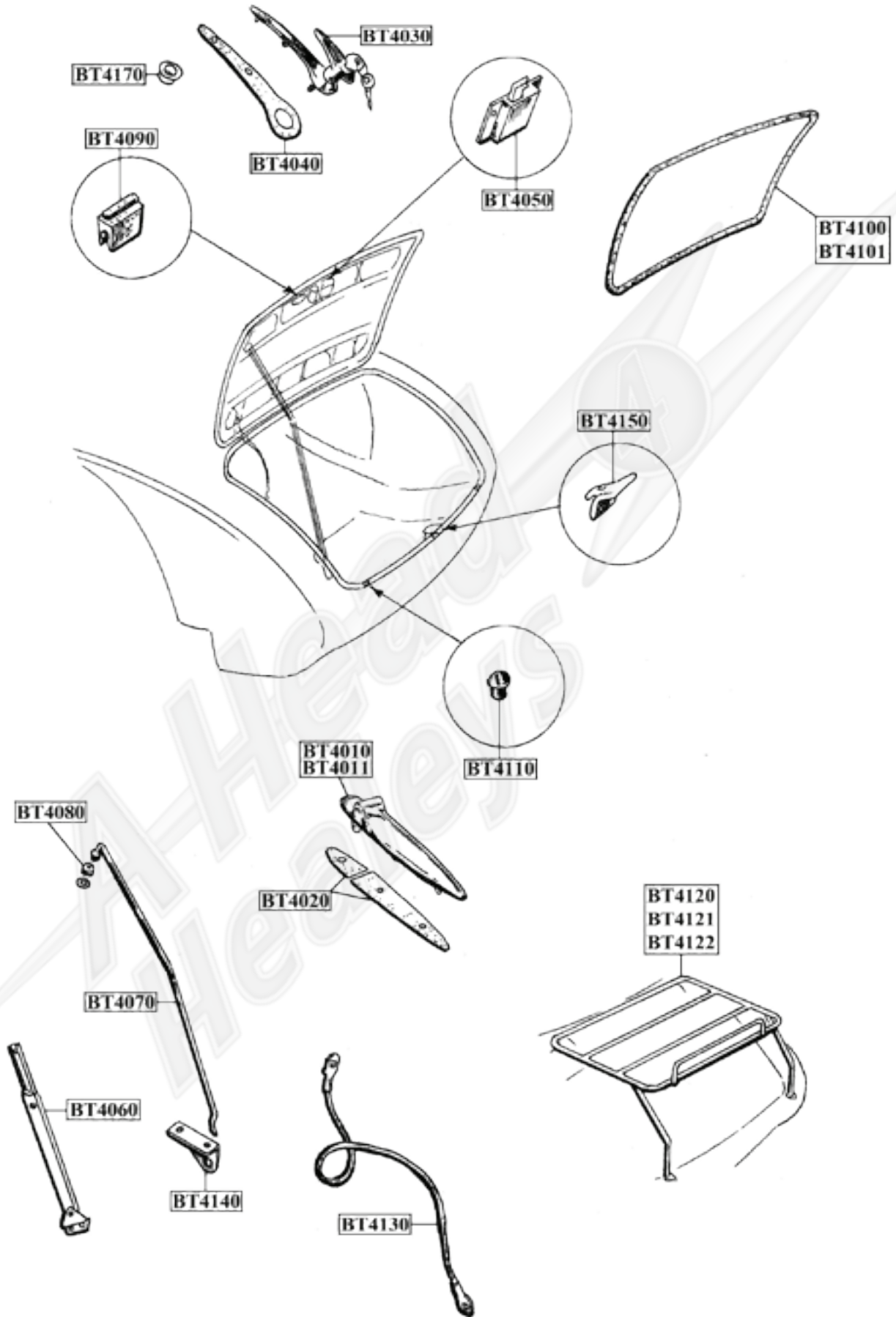
PART №	DESCRIPTION	APPLICATION	QTY	NOTES	PRICE
BN4010	STRIKER PIN - BONNET CATCH	BN1-BJ8	1	14A6586 (470-620)	£4.90
BN4020	STRIKER SPRING - BONNET CATCH	BN1-BJ8	1	14B2846 (329-280)	£2.20
BN4030	SPRING CUP - BONNET CATCH STRIKER	BN1-BJ8	1	ADA458 (470-610)	£5.03
BN4032	BRACKET - BONNET STRIKER PIN	BN1-BJ8	1	14B2845	£29.95
BN4040	TENSION SPRING - BONNET CATCH	BN1-BJ8	1	ADA466 (329-175)	£3.96
BN4050	ANTIRATTLE SPRING - BONNET PULL	BN4-BJ8	1	ADA2450 (329-265)	£1.78
BN4060	ROD GROMMET - FRONT	BN4-BJ8	1	3F90 (031-777)	£0.53
BN4070	ROD GROMMET - REAR	BN4-BJ8	1	RFN403 (682-130)	£0.99
BN4080	TUBE SLIDER	BN4-BJ8	2	ADA464 (470-715)	£1.14
BN4088	SAFETY CATCH (COMPLETE)	BN1-BJ8	1 OR 2	14A366 (470-640)	£9.95
BN4090	SAFETY CATCH (HOOK ONLY)	BN1-BJ8	1 OR 2	14A366 (470-640)	£6.95
BN4095	SPACER - SAFETY CATCH SPRING	BN1-BJ8	2	4B8768	£0.70
BN4100	SPRING - SAFETY CATCH	BN1-BJ8	AR	4B8646	£2.10
BN4130	SEALING STRIP - BONNET	BN4-BJ8	1	AHB9095 (682-180)	£3.30
BN4140	SUPPORT RUBBER - BONNET	BN1-BJ8	4 OR 6	14B766 (031-359)	£0.56
BN4150	RIVET - SUPPORT RUBBER	BN1-BJ8	AR	BRP1110 (325-765)	£0.20
BN4151	WASHER - BUFFER RIVET	BN4-BJ8	4 OR 6	PWZ102	£0.10
BN4180	PROP ROD	BN1-BN2	1	4G7416 (804-550)	£9.75
BN4181	PROP ROD	BN4-BJ8	1	AHB5748 (804-560)	£9.75
BN4190	RELEASE ROD ASSY - BONNET	BN1-BN2	1	14B2039	£34.05
BN4191	RELEASE ROD	BN4-BJ8	1	14B6805 (805-255)	£9.95
BN4200	RELEASE ROD - SHORT	BN4-BJ8	1	14B6754 (805-265)	£10.94
BN4205	BRACKET - PROP ROD SUPPORT	BN1-BN2	1	14B2507 (802-555)	£5.90
BN4210	BRACKET - PROP ROD SUPPORT	BN4-BJ8	1	24B773 (805-475)	£5.90
BN4220	BRACKET - STRIKER SAFETY CATCH	BN4-BJ8	2	14B8812 (805-485)	£8.80
BN4240	COVER - TENSION SPRING	BN1-BJ8	1	ADA467 (680-315)	£0.70
BN4250	BRACKET - BONNET LOCK SUPPORT	BN4-BJ8	1	14B5861 (805-435)	£12.25
BN4255	BRACKET - BONNET STRIKER	BN1-BN2	1	14B1809	£66.65
BN4260	GUIDE PLATE - BONNET LOCK	BN4-BJ8	1	ADA463 (470-940)	£3.65
BN4270	SLIDE PLATE - BONNET LOCK	BN4-BJ8	1	ADA461 (470-645)	£30.50
BN4280	SUPPORT - SLIDE PLATE	BN4-BJ8	1	ADH456 (470-655)	£12.35
BN4300	BONNET HINGE - RH	BN4-BJ8	1	14G3692 (031-314)	£26.85
BN4310	BONNET HINGE - LH	BN4-BJ8	1	14G3693 (031-313)	£26.85
BN4314	WASHER - ANTI RATTLE (BONNET HINGE)	BN4-BJ8	6	AWZ105	£0.30
BN4340	LEVER - BONNET RELEASE	BN4-BJ8	1	ADA3669	£8.65
BN4360	ANCHOR PLATE - ANTI RATTLE SPRING	BN4-BJ8	1	ACA5314	£3.35
BN4361	CLIP ANCHOR BRACKET	BJ7-BJ8	1	14G5507	£0.31
BN4370	BRACKET - PULL ROD	BN4-BJ8	1	14B6806 (805-445)	£7.15
BN4400	LEATHER STRAPS - SHORT (PR)	BN1-BJ8	1		£8.85
BN4401	LEATHER STRAPS - SHORT (HIGH QUALITY) PR	BN1-BJ8	1		£40.93
BN4405	BONNET PIN KIT - COMPETITION	BN1-BJ8	1		£19.95

Books

PART №	DESCRIPTION	APPLICATION	QTY	NOTES	PRICE
BK4010	WORKSHOP MANUAL - FACTORY 100/4	BN1-BN2	AR	97H997D (021-379)	£29.95
BK4020	WORKSHOP MANUAL - FACTORY 6 CYLINDER	BN4-BJ8	AR	AKD1179 (021-376)	£29.95
BK4030	PARTS LIST - ORIGINAL REPRODUCTION - HARD COVER	BN1-BN2	AR		£39.50
BK4040	PARTS LIST - ORIGINAL REPRODUCTION	BN7-BT7	AR	AKD1151	£21.50
BK4050	PARTS LIST - ORIGINAL REPRODUCTION - HARD COVER	BJ7-BJ8	AR	AKD3523/4	£46.50
BK4060	DRIVER'S HANDBOOK	BN1-BN2	AR	97H996E (212-650)	£11.95
BK4061	DRIVER'S HANDBOOK	BN4-BN6	AR	97H996H (212-660)	£16.49
BK4062	DRIVER'S HANDBOOK	BT7-BJ7	AR	AKD3915A (212-670)	£11.95
BK4063	DRIVER'S HANDBOOK	BJ8	AR	AKD4094B (212-680)	£11.95
BK4070	ROAD AND TRACK ON HEALEYS	BN1-BJ8	AR		£9.85
BK4080	SUPER PROFILE - 100	BN1-BN6	AR		£9.65
BK4090	100 & 100/6 GOLD PORTFOLIO	BN1-BN6	AR	(213-240)	£15.08
BK4100	AH 3000 - ULTIMATE PORTFOLIO	BT7-BJ8	AR		£17.40
BK4110	ORIGINAL AUSTIN HEALEY (ANDERS DITLEV CLAUS-AGER)	BN1-BJ8	AR		£21.50
BK4130	AUSTIN HEALEY 100 & 3000 (GRAHAM ROBSON)	BN1-BJ8	AR		£23.50
BK4135	RALLY GIANTS - 100/6 & 3000 (GRAHAM ROBSON)	BN4-BJ8	AR		£14.99
BK4140	AUSTIN HEALEY (BILL PIGGOTT)	BN1-BJ8	AR		£17.81
BK4150	THE HEALEY BOOK (BILL EMERSON)	BN1-BJ8	AR		£37.12
BK4160	AUSTIN HEALEY 100 IN DETAIL	BN1-BN6	AR		£34.65
BK4170	BIG HEALEYS IN COMPETITION	BN1-BJ8	AR		£19.75
BK4185	LES HEALEY DU RALLYE DES TULIPES (1949-1968)	BN1-BJ8	AR	ENGLISH & FRENCH (CHEVALIER/TU)	£65.45
BK4186	HARNESSING HORSEPOWER - THE PAT MOSS CARLSSON STORY	BN1-BJ8	AR	STUART TURNER	£24.99
BK4190	MR BIG HEALEY (JOHN CHATHAM)	BN1-BJ8	AR		£24.99

BK

Boot

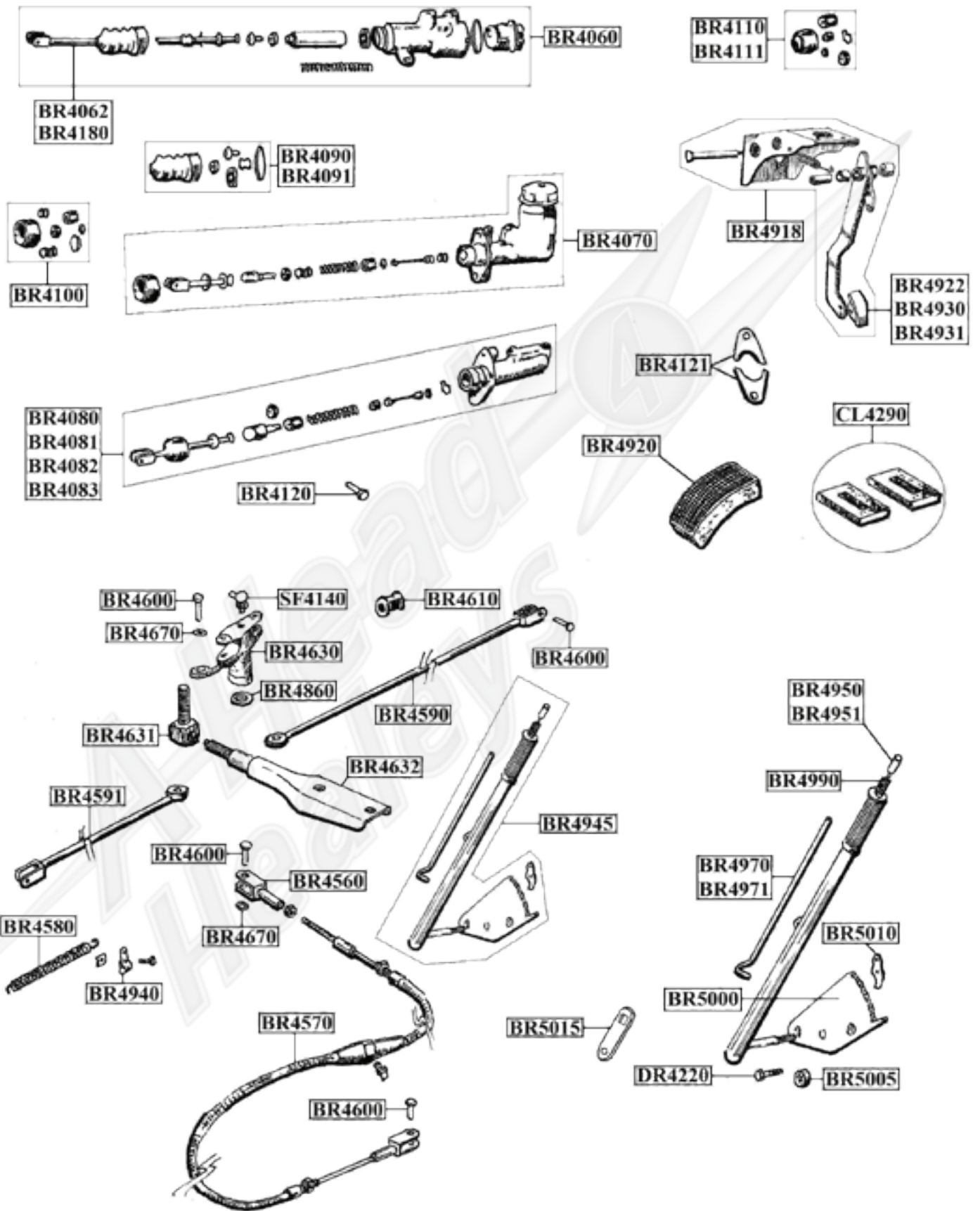


Boot

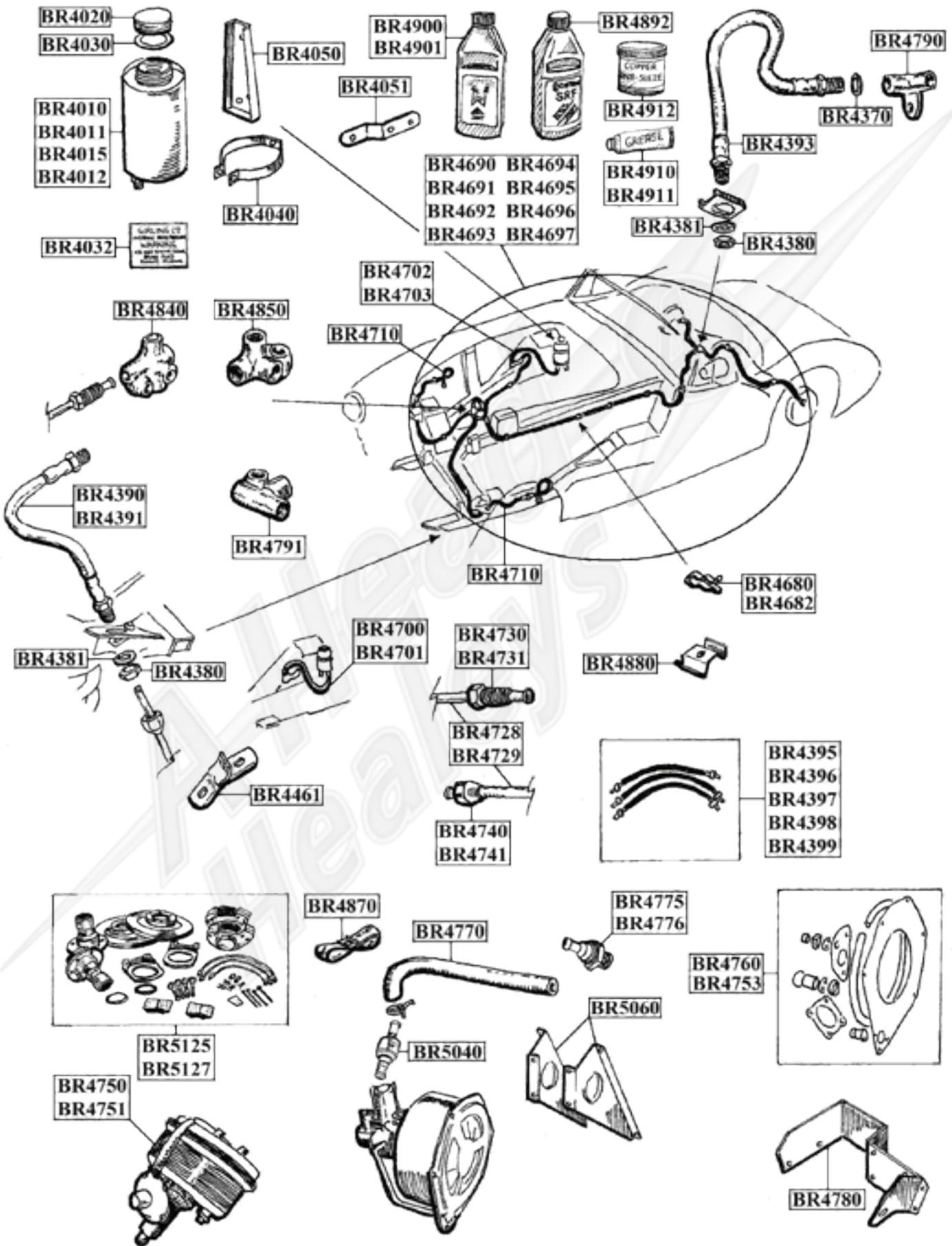
PART №	DESCRIPTION	APPLICATION	QTY	NOTES	PRICE
BT4010	BOOT HINGE - RH	BN1-BJ8	1	14B1725 (802-450)	£19.95
BT4011	BOOT HINGE - LH	BN1-BJ8	1	14B1726 (802-440)	£19.95
BT4020	GASKET - BOOT HINGE	BN1-BJ8	2	14B346 (698-015)	£1.65
BT4030	BOOT LID HANDLE	BN1-BJ8	1	14B1963 (031-325)	£31.95
BT4040	GASKET - BOOT LID HANDLE	BN1-BJ8	1	14B1964 (805-257)	£0.85
BT4050	LOCK - BOOT	BN1-BJ8	1	14B1718 (031-326)	£25.50
BT4060	TELESCOPIC PROP ROD	BN1-BN2	1	4G8479 (804-530)	£20.55
BT4062	WOOD PACKING BLOCK - TELESCOPIC PROP	BN1-BN2	1	14B2467 (14B2467)	£2.50
BT4070	PROP ROD	BN4-BJ8	1	14B6597 (804-540)	£9.45
BT4080	PIVOT GROMMET	BN4-BJ8	1	2H1046 (682-200)	£0.36
BT4090	RETAINING RUBBER - PROP ROD	BN4-BJ8	2	2H9215 (282-350)	£0.99
BT4100	SEALING RUBBER - BOOT LID	BN1-BN2	1	14B5486 (682-020)	£12.50
BT4101	SEALING RUBBER - BOOT LID	BN4-BJ8	1	14B7466 (021-775)	£11.65
BT4110	STOP RUBBER - BOOT LID	BN1-BJ8	3	4G8595 (682-110)	£0.77
BT4120	LUGGAGE RACK - STAINLESS STEEL	BN1-BN2	1	17H9932B	£284.95
BT4121	LUGGAGE RACK - BOOT MOUNTING (S.S.)	BN4-BJ8	1	17H9932 (644-730)	£270.00
BT4122	LUGGAGE RACK - WORKS STYLE (CHROME)	BN4-BJ8	1	17H9932 (644-730)	£185.90
BT4130	CABLE - BOOT LID STOP	BN4-BJ8	1	14B8692 (807-035)	£17.11
BT4140	BRACKET - PROP ROD SUPPORT	BN4-BJ8	1	14B6467 (804-925)	£4.85
BT4150	STRIKER PLATE - BOOT LOCK	BN1-BJ8	1	14B1719 (806-460)	£29.95
BT4152	TAPPED PLATE - STRIKER PLATE	BN1-BJ8	1		£12.50
BT4153	PACKING PIECE KIT - BOOT STRIKER	BN1-BJ8	1		£5.60
BT4170	SPACER - BOOT HANDLE FIXING	BN1-BJ8	2	6K9426	£1.75

BT

Brakes

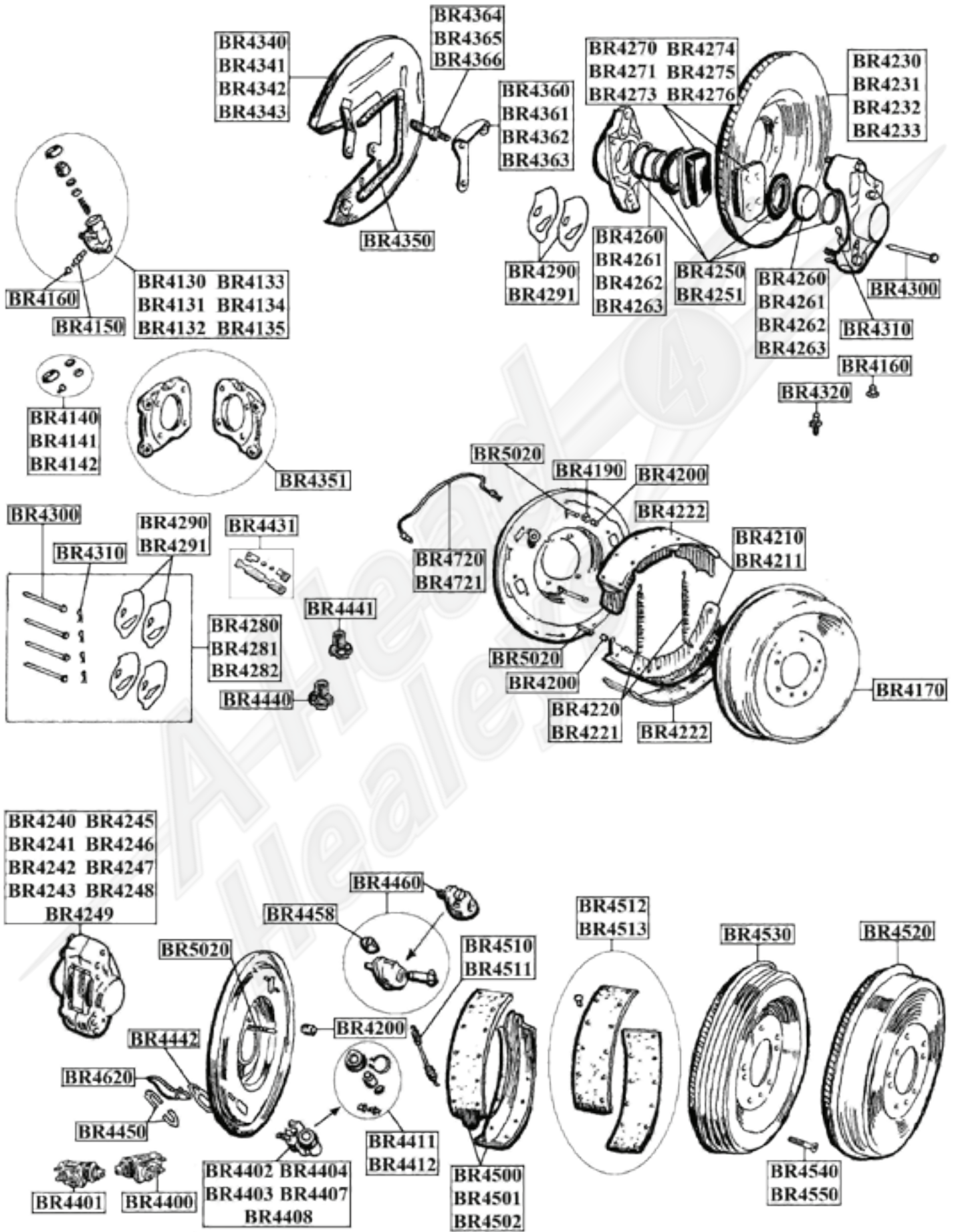


Brakes



BR

Brakes



Brakes

PART №	DESCRIPTION	APPLICATION	QTY	NOTES	PRICE
BR4010	RESERVOIR - SINGLE SUPPLY	BN1-BN2	1	3H920 (582-975)	£35.25
BR4011	RESERVOIR - DUAL SUPPLY	BN6-BJ8	1	ACB5856 (582-980)	£52.35
BR4012	RESERVOIR - SINGLE SUPPLY	BN1-BJ8	1	PLASTIC	£23.96
BR4015	RESERVOIR - DUAL SUPPLY	BN4.68960-BJ8	1	ALUMINIUM	£59.50
BR4020	CAP - RESERVOIR	BN1-BJ8	1	17H4508 (596-210)	£3.05
BR4030	SEAL - RESERVOIR CAP	BN1-BJ8	1	7H4726 (582-500)	£0.75
BR4032	DECAL - GIRLING WARNING (RESERVOIR)	BN1-BJ8	1	(216-495)	£1.70
BR4040	STRAP - RESERVOIR	BN4.68960-BJ8	1	13H297 (582-985)	£5.00
BR4050	BRACKET - RESERVOIR FIXING RHD	BN4.68960-BJ8	1	11B5522	£6.10
BR4051	BRACKET - RESERVOIR FIXING LHD	BN4.68960-BJ8	1	11B5521 (596-085)	£6.75
BR4060	MASTER CYLINDER	BN1-BN2	1	1B8927 (021-142)	£163.98
BR4061	PACKING PIECE - MASTER CYL RHD	BN1-BN2	1	1B8803K	£24.80
BR4062	FORK END - MASTER CYLINDER TO PEDAL	BN1-BN2	1	1B8804	£6.56
BR4070	MASTER CYLINDER	BN4-BN4.48862	1	11B5280 (513-326)	£48.50
BR4080	MASTER CYLINDER - 3/4IN	BN4.48863-BN6	1	11B5509 (513-320)	£42.00
BR4081	MASTER CYLINDER - 5/8IN (WITHOUT SERVO)	BN7&BT7-BJ7	1	11B5510 (513-318)	£56.95
BR4082	MASTER CYLINDER - 7/8IN (WITH SERVO)	BN7&BT7-BJ8	1	27H4717 (581-100)	£56.95
BR4083	MASTER CYLINDER - DUAL BRAKES	BN4-BJ8	1		£225.95
BR4084	MASTER CYLINDER - 5/8IN	BN4-BJ8	1	DUAL & BALANCE BAR	£60.85
BR4085	MASTER CYLINDER - .70	BN1-BJ8	1	DUAL & BALANCE BAR	£55.25
BR4086	MASTER CYLINDER - 3/4IN	BN4-BJ8	1	DUAL & BALANCE BAR	£68.45
BR4090	REPAIR KIT - MASTER CYLINDER	BN1-BN2	1	P730 (513-067)	£13.80
BR4091	REPAIR KIT - MASTER CYLINDER (TRW)	BN1-BN2	1	P730 (513-067)	£22.45
BR4100	REPAIR KIT - MASTER CYLINDER	BN4-BN6	1	17H4415 (583-780)	£5.95
BR4109	REPAIR KIT - MASTER CYLINDER (WITHOUT SERVO) - TRW	BN7&BT7-BJ7	1 OR 2	8G8807 (180-990)	£7.25
BR4110	REPAIR KIT - MASTER CYLINDER (WITHOUT SERVO)	BN7&BT7-BJ7	1 OR 2	8G8807 (180-990)	£7.05
BR4111	REPAIR KIT - MASTER CYLINDER (WITH SERVO)	BN7&BT7-BJ8	1	18G8011 (513-147)	£8.35
BR4120	CLEVIS PIN - PEDAL TO MASTER CYLINDER	BN6-BJ8	2	CLZ0514 (325-035/140)	£0.55
BR4121	PACKING PIECE - MASTER CYLINDERS	BN4-BJ8	4	11B5138 (021-488)	£1.75
BR4130	WHEEL CYLINDER FRONT - RH	BN1-BN1.221403 & BN4-BN6 WW	2	7H4583 (021-149)	£32.50
BR4131	WHEEL CYLINDER FRONT - LH	BN1-BN1.221403 & BN4-BN6 WW	2	7H4584 (021-146)	£32.50
BR4132	WHEEL CYLINDER FRONT - RH	BN1.221404-BN2	2	7H4643 (021-147)	£31.52
BR4133	WHEEL CYLINDER FRONT - LH	BN1.221404-BN2	2	7H4644 (021-144)	£31.52
BR4134	WHEEL CYLINDER FRONT - RH (STEEL WHEEL)	BN4-BN6	2	17H4003 (021-153)	£33.65
BR4135	WHEEL CYLINDER FRONT - LH (STEEL WHEEL)	BN4-BN6	2	17H4004 (021-152)	£33.65
BR4140	REPAIR KIT - FRONT WHEEL CYLINDER (& EARLY REAR)	BN1-BN1.221403	1	SP2049 (513-014)	£7.95
BR4141	REPAIR KIT - FRONT WHEEL CYLINDER (TRW)	BN1.221404-BN2	1	P476 (021-145)	£18.95
BR4142	REPAIR KIT - FRONT WHEEL CYLINDER (STEEL WHEEL)	BN4-BN6	1	8G8201 (513-115)	£9.85
BR4150	BLEED SCREW - FRONT WHEEL CYLINDER	BN1-BN6	2	7H4973 (596-090)	£1.25
BR4160	DUST CAP - BLEED SCREW	BN1-BN6	2	7H4419 (031-300)	£0.89
BR4165	BRAKE DRUM - ALFIN (FRONT & REAR)	BN1 FR & 4 STUD BN1 RR	2 OR 4		£182.50
BR4170	BRAKE DRUM - FRONT (WIRE WHEEL)	BN2-BN4	2	1B4483 (586-045)	£82.00
BR4180	EXTENSION ROD - MASTER CYLINDER (LHD ONLY)	BN1-BN2	1	1B8745 (021-479)	£28.45
BR4189	NUT - STEADY POST (BSF)	BN1	8	7H4008	£0.20

BR

Brakes

PART No	DESCRIPTION	APPLICATION	QTY	NOTES	PRICE
BR4190	NUT - STEADY POST	BN2-BN6	4	FNZ205 (848-540)	£0.15
BR4200	FELT BUSH - STEADY POST	BN1-BN6	4	7H4429 (582-870)	£0.75
BR4210	BRAKE SHOES - FRONT (EXCHANGE)	BN1-BN1.228046	1	8G4160 (519-025)	£57.15
BR4211	BRAKE SHOES - FRONT	BN2-BN6	1	8G8159 (021-165)	£39.95
BR4219	SPRING - SHOE RETURN (WIRE WHEEL)	BN1	4		£8.40
BR4220	SPRING - SHOE RETURN (STEEL WHEEL)	BN1&BN6	4	7H4259 (582-850)	£6.25
BR4221	SPRING - SHOE RETURN (WIRE WHEEL)	BN2-BN6	4	7H4581 (582-860)	£5.45
BR4222	LININGS & RIVETS - FRONT (CAR SET)	BN1-BN1.228046	1	P4017 (585-260)	£49.75
BR4223	PUNCH TOOL - FRONT LINING RIVETS	BN1-BJ8	AR		£13.35
BR4228	DISC - FRONT BRAKE (ORIGINAL DUNLOP CALIPER TYPE)	100S	2		£240.00
BR4230	BRAKE DISC	BN7&BT7-BJ8.26704	2	BTC104 (021-170)	£31.85
BR4231	BRAKE DISC	BJ8.26705 ON	2	BTC371 (021-171)	£30.95
BR4232	TURBO BRAKE DISCS - PAIR (USE WITH KEVLAR PADS)	TYPE 14	1		£197.71
BR4233	TURBO BRAKE DISCS - PAIR (USE WITH KEVLAR PADS)	TYPE 16	1		£197.71
BR4235	BRAKE DISC - COMPETITION (THICK DISC)	BN4-BJ8	2	CBRK151 (TYPE 16 CALIPERS)	£197.93
BR4240	CALIPER ASSY - RH (NEW) TYPE 14	BN7&BT7-BJ8.26704	1	BTC260 (021-155)	£166.45
BR4241	CALIPER ASSY - RH (RECON - EXCHANGE)	BN7&BT7-BJ8.26704	1		£58.90
BR4242	CALIPER ASSY - LH (NEW) TYPE 14	BN7&BT7-BJ8.26704	1	BTC261 (021-154)	£166.45
BR4243	CALIPER ASSY - LH (RECON - EXCHANGE)	BN7&BT7-BJ8.26704	1	BTC261	£58.90
BR4245	CALIPER ASSY - RH (RECON - EXCHANGE)	BJ8.26705 ON	1	27H2988	£68.80
BR4246	CALIPER ASSY - LH (RECON - EXCHANGE)	BJ8.26705 ON	1	27H2989	£68.80
BR4247	COMPETITION CALIPERS - NEW (PR)	BN1-BJ8.26704	1	USE TYPE 16 BRAKE PADS	£214.50
BR4248	CALIPER ASSY - RH (NEW) TYPE 16	BJ8.26705 ON	1	27H2988	£99.50
BR4249	CALIPER ASSY - LH (NEW) TYPE 16	BJ8.26705 ON	1	27H2989	£99.50
BR4250	REPAIR KIT - CALIPER ASSY	BN7&BT7-BJ8.26704	1	8G8279 (513-212)	£13.80
BR4251	REPAIR KIT - CALIPER ASSY	BJ8.26705 ON	1	8G8943 (583-000)	£11.15
BR4260	PISTON - CALIPER	BN7&BT7-BJ8.26704	4	17H4960 (021-163)	£11.65
BR4261	PISTON - CALIPER (STAINLESS STEEL)	BN7&BT7-BJ8.26704	4	17H4960 (021-176)	£12.95
BR4262	PISTON - CALIPER	BJ8.26705 ON	4	27H2949 (582-000)	£10.40
BR4263	PISTON - CALIPER (STAINLESS STEEL)	BJ8.26705 ON	4	27H2949 (582-095)	£12.30
BR4266	BRAKE DRUM - FRONT (WIRE WHEEL)	BN1 100S	2	1B4483 (586-045)	£3.70
BR4268	PAD SET - CALIPER (FRONT & REAR) - ROUND PAD	100S	2		£64.95
BR4269	PAD SET - HANDBRAKE	100S	1		£69.95
BR4270	PAD SET - CALIPER	BN7&BT7-BJ8.26704	1	8G8308 (517-007)	£24.50
BR4271	PAD SET - CALIPER	BJ8.26705 ON	1	18G8524 (585-520)	£12.50
BR4273	KEVLAR BRAKE PADS - ROAD/FAST ROAD	TYPE 14	1	GREEN STUFF	£69.75
BR4274	KEVLAR BRAKE PADS - ROAD/FAST ROAD	TYPE 16	1	GREEN STUFF	£49.97
BR4275	KEVLAR BRAKE PADS - FAST ROAD/RACE	TYPE 16	1	GREEN STUFF	£44.25
BR4276	FERODO RACING PADS	TYPE 16	1		£72.05
BR4277	KEVLAR BRAKE PADS - ROAD/FAST ROAD	BN1-BJ8 235314	1	USE WITH BR4247 (GREEN STUFF)	£42.50

Brakes

PART №	DESCRIPTION	APPLICATION	QTY	NOTES	PRICE
BR4280	KIT - ANTI SQUEAL - INC. PINS & CLIPS	BN7&BT7-BJ8.26704	1	SP7350 (582-908)	£14.95
BR4281	KIT - ANTI SQUEAL - INC. PINS & CLIPS	BJ8.26705 ON	1	(583-808)	£14.35
BR4282	KIT - ANTI SQUEAL - INC. PINS & CLIPS	BN1-BJ8.26704	1	USE WITH BR4247	£6.21
BR4290	SHIM - ANTI SQUEAL	BN7&BT7-BJ8.26704	4	BHA4195 (582-900)	£2.25
BR4291	SHIM - ANTI SQUEAL	BJ8.26705 ON	4	27H2953 (582-910)	£1.85
BR4300	PIN - PAD RETAINING	BN7-BJ8	4	17H4640 (582-020)	£1.65
BR4310	CLIP - RETAINING PIN	BN7-BJ8	4	17H4639 (582-890)	£0.47
BR4320	BLEED SCREW - CALIPER	BN7-BJ8	2	17H4637 (582-050)	£1.50
BR4340	DUST SHIELD - BRAKE DISC RH	BN7&BT7-BJ8.26704	1	BTC204 (586-060)	£37.45
BR4341	DUST SHIELD - BRAKE DISC LH	BN7&BT7-BJ8.26704	1	BTC205 (586-050)	£37.45
BR4342	DUST SHIELD - BRAKE DISC RH	BJ8.26705 ON	1	BTC382 (586-080)	£37.45
BR4343	DUST SHIELD - BRAKE DISC LH	BJ8.26705 ON	1	BTC383 (586-070)	£37.45
BR4350	RUBBER SEAL - DUST SHIELD	BN7&BT7-BJ8.26704	2	BTC171 (517-020)	£1.85
BR4351	BRACKETS (PR) - CALIPER MOUNTING	BN1-BJ8.26704	2	BTC134/5	£119.50
BR4352	BOLT - CALIPER BRACKET (TOP)	BT7-BJ8.26704	4	ATB7258	£0.50
BR4360	CALIPER BRACKET - BRAKE PIPE RH	BN7&BT7-BJ8.26704	1	BTC126 (586-035)	£8.20
BR4361	CALIPER BRACKET - BRAKE PIPE LH	BN7&BT7-BJ8.26704	1	BTC127 (586-055)	£8.20
BR4362	CALIPER BRACKET - BRAKE PIPE RH	BJ8.26705 ON	1	BTC380 (586-075)	£7.95
BR4363	CALIPER BRACKET - BRAKE PIPE LH	BJ8.26705 ON	1	BTC381 (586-065)	£7.95
BR4364	BOLT - CALIPER RETAINING	BT7-BJ8.26704	4	BTC125 (582-525)	£4.95
BR4365	BOLT - CALIPER RETAINING	BJ8.26705 ON	4	BTC379 (582-535)	£5.12
BR4366	BOLT - STEPPED, CALIPER RETAINING (USE WITH BR4247)	BN1-BJ8	4	USE WITH BR4247	£9.98
BR4370	COPPER WASHER - BRAKE HOSE	BN1-BJ8	AR	3H2287 (324-730)	£0.29
BR4380	NUT - HOSE RETAINING	BN1-BJ8	4	FNZ206 (310-070)	£0.18
BR4381	WASHER - SHAKEPROOF	BN1-BJ8	4	LWN406 (324-045)	£0.12
BR4385	BRAKE HOSE - FRONT (TRW)	BN1-BN6	1	ALSO REAR BN4-BJ8	£10.95
BR4386	BRAKE HOSE - FRONT (TRW)	BN7-BJ8	2		£10.95
BR4390	BRAKE HOSE - FRONT & REAR	BN1-BN6	2 OR 3	2A7227 (584-070)	£8.65
BR4391	BRAKE HOSE - FRONT	BN7&BT7-BJ8	2	37H4599 (021-162)	£6.45
BR4393	BRAKE HOSE - REAR	BT7-BJ8	1	11B5543 (584-050)	£9.40
BR4394	BRAKE HOSE (ONLY) - S.S. BRAIDED	BT7&BJ8	2		£13.95
BR4395	BRAKE HOSE KIT - S.S. BRAIDED (GOODRIDGE)	BN1-BN6	1	1B2868 (582-058)	£39.95
BR4396	BRAKE HOSE KIT - S.S. BRAIDED (GOODRIDGE)	BN7-BJ8	1		£47.50
BR4398	BRAKE HOSE KIT - S.S. BRAIDED - P14/16 TYPE	BN7-BJ8	1		£41.48
BR4399	BRAKE HOSE KIT - S.S. BRAIDED - M16 TYPE	BN1-BJ8	1	CBRK191M	£47.72
BR4400	WHEEL CYLINDER - REAR RH	BN1-BN1.221535	1	7H4598 (021-160)	£36.70
BR4401	WHEEL CYLINDER - REAR LH	BN1-BN1.221535	1	7H4597 (021-158)	£36.70
BR4402	WHEEL CYLINDER - REAR	BN1.221536-BN6	2	7H4988 (021-159)	£25.65
BR4403	WHEEL CYLINDER - REAR	BN7&BT7-BJ8	2	17H4641 (021-161)	£20.50
BR4404	WHEEL CYLINDER - REAR (BRASS PISTON)	BN7&BT7-BJ8	2	17H4641	£47.05
BR4407	WHEEL CYLINDER - REAR (TRW)	BN1.221536-BN6	2	7H4988	£39.95
BR4408	WHEEL CYLINDER - REAR (TRW)	BN7&BT7-BJ8	2	17H4641	£43.50
BR4411	REPAIR KIT - REAR WHEEL CYLINDER	BN1.221536-BN6	1	8G7067 (513-092)	£8.95

BR

Brakes

PART No	DESCRIPTION	APPLICATION	QTY	NOTES	PRICE
BR4412	REPAIR KIT - REAR WHEEL CYLINDER (PER CYLINDER)	BN7&BT7-BJ8	2	8G8280 (583-020)	£12.96
BR4431	TAPPET & ROLLER SET	BN1	2	7H4472	£28.85
BR4440	DUST COVER - W/CYL TO BACKPLATE RH	BN1-BN1.221535	1	7H4498	£12.35
BR4441	DUST COVER - W/CYL TO BACKPLATE LH	BN1-BN1.221535	1	7H4497	£12.35
BR4442	DUST COVER - W/CYL TO BACKPLATE	BN1.221536-BJ8	2	7H4906 (582-190)	£1.55
BR4450	LOCK PLATE SET	BN1.221536-BJ8	2	7H4904 (582-210/220)	£3.39
BR4458	TAPPET - REAR BRAKE ADJUSTER	BN1-BJ8	4		£4.95
BR4460	ADJUSTER - REAR BRAKE	BN1.221536-BJ8	2	7H4997 (582-260)	£49.50
BR4461	BRACKET - BRAKE HOSE	BN1-BJ8	2	11B5149 (587-335)	£5.10
BR4500	BRAKE SHOES - REAR (EXCHANGE)	BN1-BN1.221535	1	8G4140 (021-167)	£52.50
BR4501	BRAKE SHOES - REAR	BN1.221536-BJ8	1	18G8401 (519-031)	£29.53
BR4502	BRAKE SHOES - REAR (EXCHANGE)	BN1.221536-BJ8	1	18G8401	£38.40
BR4510	SPRING - SHOE RETURN	BN1-BN1.221535	4	7H4063 (582-970)	£5.85
BR4511	SPRING - SHOE RETURN	BN1.221536-BJ8	4	7H4596 (031-303)	£6.60
BR4512	LININGS & RIVETS - REAR (CAR SET)	BN1-BN1.221535	1	P4017 (585-260)	£47.90
BR4513	LININGS & RIVETS - REAR (CAR SET)	BN1.221536-BJ8	1	8G7069	£50.40
BR4514	PUNCH TOOL - REAR LINING RIVETS	BN1-BJ8	AR	USE BR4223	
BR4520	BRAKE DRUM - REAR (STEEL WHEELS)	BN4-BJ8	2	1B7490 (586-040)	£155.50
BR4530	BRAKE DRUM - REAR (WIRE WHEELS)	BN1.221536-BJ8	2	BTC371 (021-359)	£35.95
BR4531	BRAKE DRUM - REAR (WIRE WHEELS) ALFIN DRUMS	BN1.221536-BJ8	2	1B7526	£145.95
BR4532	BRAKE DRUM - VENTED & BALANCED	BN2-BJ8	2	BRK220VB	£113.00
BR4540	SCREW - DRUM TO HUB (WIRE WHEELS)	BN2-BJ8	4	CMZ414 (323-585)	£0.35
BR4550	SCREW - DRUM TO HUB (STEEL WHEELS)	BN4-BJ8	4	CMZ428 (314-000)	£0.35
BR4560	FORK END - HANDBRAKE CABLE	BN1-BJ8	1	1B7362 (021-718)	£4.25
BR4570	CABLE - HANDBRAKE	BN1-BJ8	1	11B5338 (021-389/394)	£21.20
BR4580	RETURN SPRING - HANDBRAKE LINKAGE	BN1.221536-BJ8	2	47H5524 (021-721)	£4.20
BR4590	LINK ROD - LONG	BN1.221536-BJ8	1	1G7549 (021-709)	£15.81
BR4591	LINK ROD - SHORT	BN1.221536-BJ8	1	ATC7251 (021-708)	£15.34
BR4600	CLEVIS PIN - CROSS RODS	BN1-BJ8	4	2K6930 (325-130)	£0.76
BR4602	CLEVIS PIN - BALANCE LEVER	BN1-BJ8	1	2K5243	£0.69
BR4610	RUBBER GROMMET - CROSS RODS	BN1.221536-BJ8	1	1B5329 (021-361)	£1.68
BR4620	LEVER - ON REAR BACKPLATE	BN1.221536-BJ8	2	7H4990 (585-590)	£12.75
BR4630	BALANCE LEVER - HANDBRAKE (USED)	BN4-BJ8	1	1G7485	£35.00
BR4631	CARRIER - BALANCE LEVER (USED)	BN4-BJ8	1	1G7484	£14.00
BR4632	SUPPORT WITH PIN - (USED)	BN4-BJ8	1	1B7424	£30.00
BR4670	FELT WASHER - LINK RODS	BN1-BJ8	8	2K5291 (021-719)	£0.19
BR4680	CLIP - BRAKE PIPE TO CHASSIS	BN1-BJ8	10	6K35 (582-925)	£0.69
BR4682	CLIP - BRAKE PIPE - PLASTIC	BN1-BJ8	10		£0.40
BR4690	BRAKE PIPE SET - KUNIFER - RHD	BN1-BN2	1		£49.20
BR4691	BRAKE PIPE SET - KUNIFER - LHD	BN1-BN2	1	(585-408)	£57.75
BR4692	BRAKE PIPE SET - KUNIFER - RHD	BN4-BN6	1		£49.95
BR4693	BRAKE PIPE SET - KUNIFER - LHD	BN4-BN6	1	(585-418)	£48.03
BR4694	BRAKE PIPE SET - KUNIFER - RHD (NON-SERVO)	BN7&BT7-BJ7	1		£54.95
BR4695	BRAKE PIPE SET - KUNIFER - LHD (NON-SERVO)	BN7&BT7-BJ7	1	(585-428)	£54.95
BR4696	BRAKE PIPE SET - KUNIFER - RHD (SERVO)	BN7&BT7-BJ8	1		£55.47
BR4697	BRAKE PIPE SET - KUNIFER - LHD (SERVO)	BN7&BT7-BJ8	1	(585-438)	£55.47
BR4700	PIPE - RESEVOIR TO CLUTCH M/CYL. (RHD)	BN1-BJ8	1	17H4517	£9.95

Brakes

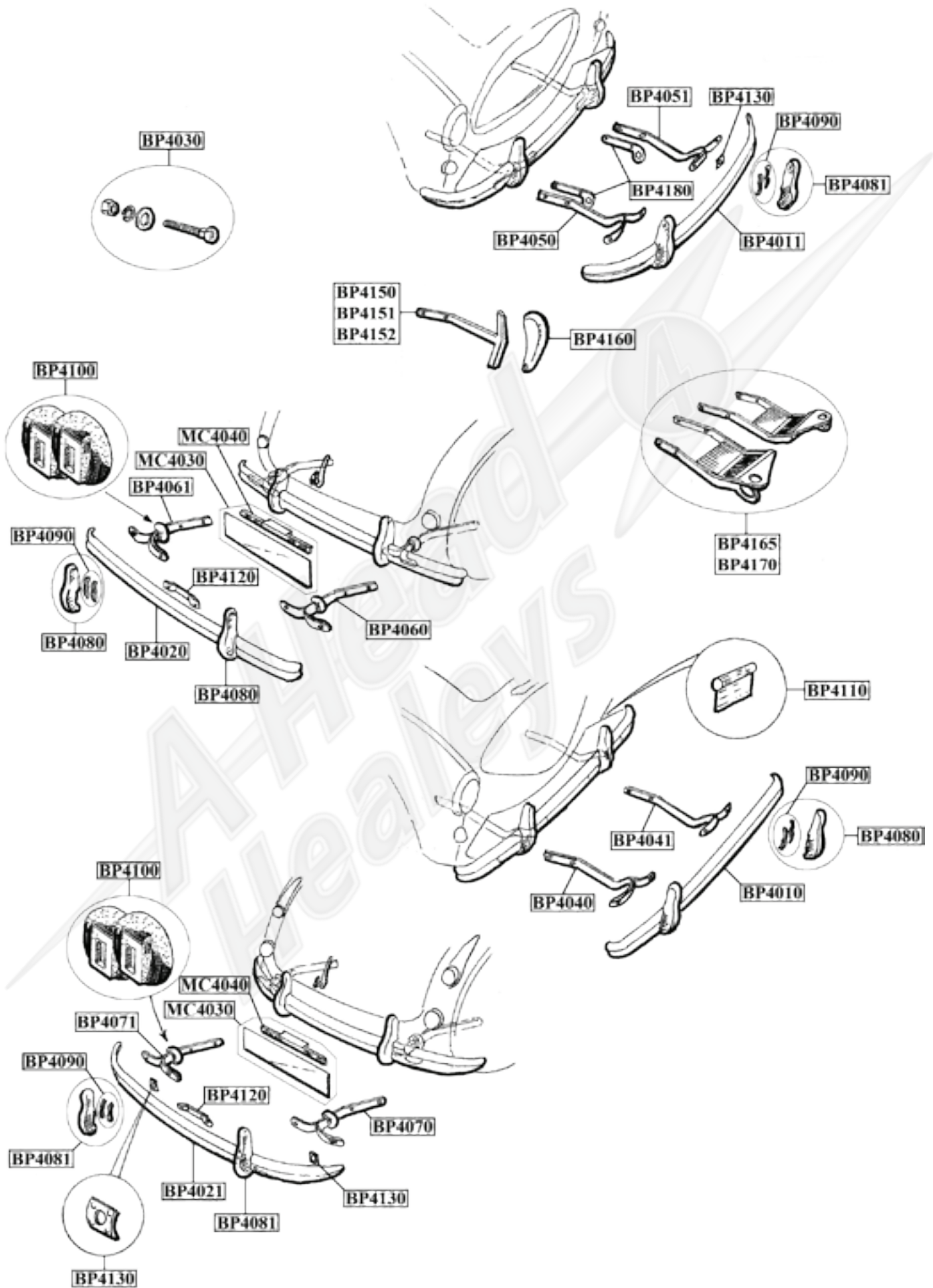
PART No	DESCRIPTION	APPLICATION	QTY	NOTES	PRICE
BR4701	PIPE - RESEVOIR TO CLUTCH M/CYL. (LHD)	BN1-BJ8	1	17H4516 (581-520)	£17.10
BR4702	PIPE - RESEVOIR TO BRAKE M/CYL. (RHD)	BN7&BT7-BJ8	1	17H4519	£9.95
BR4703	PIPE - RESEVOIR TO BRAKE M/CYL. (LHD)	BN7&BT7-BJ8	1	17H4515 (585-455)	£11.75
BR4710	CALIPER PIPE - COPPER	BT7-BJ8	2	BHA4137	£8.34
BR4720	PIPE - FRONT BRAKE BRIDGE	BN1-BN2	2	1B8358 (021-578)	£7.62
BR4721	PIPE - FRONT BRAKE BRIDGE	BN4-BN6	2	(021-578)	£7.75
BR4727	BRAKE & CLUTCH PIPE - COPPER - 1/4IN (25FT ROLL)	BN1-BJ8	AR		£32.00
BR4728	BRAKE & CLUTCH PIPE - COPPER - 3/16IN (PER METRE)	BN1-BJ8	AR		£1.76
BR4729	BRAKE & CLUTCH PIPE - KUNIFER - 3/16IN (25FT ROLL)	BN1-BJ8	AR		£19.95
BR4730	UNION - BRAKE PIPE MALE (3/16IN PIPE)	BN1-BJ8	AR		£0.65
BR4731	UNION - BRAKE PIPE MALE 7/16IN (1/4IN PIPE)	BN1-BJ8	AR		£1.50
BR4740	UNION - BRAKE PIPE FEMALE (3/16IN PIPE)	BN1-BJ8	AR		£0.76
BR4741	UNION - BRAKE PIPE FEMALE 7/16IN (1/4IN PIPE)	BN1-BJ8	AR		£1.50
BR4750	SERVO ASSEMBLY - SUBSTITUTE (GENUINE LOCKHEED)	SERVO MODELS	1	13H3360 (981-173)	£193.29
BR4751	SERVO - SUBSTITUTE - LOCKHEED COPY	SERVO MODELS	1	13H3360	£118.00
BR4753	REPAIR KIT - SERVO ASSY (LOCKHEED SERVO)	BN1-BJ8	1	BHA4700XSK	£49.50
BR4760	REPAIR KIT - SERVO ASSY (GIRLING SERVO)	SERVO MODELS	1	8G8911 (021-164)	£42.75
BR4770	SERVO HOSE - FLEXIBLE	SERVO MODELS	1	AHB7192 (021-569)	£5.40
BR4775	ADAPTOR - VACUUM (SERVO HOSE)	SERVO MODELS	1	12H1405	£5.21
BR4776	ADAPTER & VALVE NON RETURN - SERVO HOSE	BJ7-BJ8	1	AHB9119 (582-990)	£14.35
BR4780	BRACKET FIXING - SUB. SERVO	SERVO MODELS	1		£27.95
BR4790	BRASS CONNECTOR - 3 WAY	BN1.156814-BN2	1	3H1873 (582-945)	£15.97
BR4791	BRASS CONNECTOR - 3 WAY	SERVO MODELS	1	(589-110)	£9.44
BR4840	BRASS CONNECTOR - 5 WAY	NON SERVO MODELS	1	1B8926 (589-010)	£15.25
BR4842	BRASS CONNECTOR KIT- 5 WAY & BRAKE SWITCH	NON SERVO MODELS	1	1B8926 27H4754	£19.50
BR4850	BRASS CONNECTOR - 4 WAY	BJ8 SERVO MOD-ELS	1	17H4141 (589-120)	£9.05
BR4860	FELT WASHER - BALANCE LEVER	BN1-BJ8	1	2K5213 (021-747)	£1.58
BR4870	BOW TIE RETAINER - SERVO HOSE	BJ8.25315 ON	1	AHB6712	£3.26
BR4880	CLIP - PIPE TO FRONT WHEEL ARCH (LHD ONLY)	BN4-BJ8	1	2H400 (585-595)	£1.25
BR4888	BRAKE FLUID - DOT 4 (1/2 LITRE)	BN1-BJ8	AR	GBF4102	£4.50
BR4890	CASTROL BRAKE FLUID - DOT 4 (1 LITRE)	BN1-BJ8	AR		£6.68
BR4891	CASTROL RESPONSE SUPER DOT 4 (1 LITRE)	BN1-BJ8	AR		£8.16
BR4892	CASTROL SRF RACING BRAKE FLUID (1 LITRE)	BN1-BJ8	AR		£45.50
BR4900	SILICONE BRAKE FLUID (1 LITRE)	BN1-BJ8	AR	(220-410)	£31.50
BR4901	SILICONE BRAKE FLUID (1/2 LITRE)	BN1-BJ8	AR		£18.25
BR4910	GREASE - WYNS, MECHANICAL COMPONENTS - 500ML	BN1-BJ8	AR		£8.60
BR4911	GREASE - PENRITE, RUBBER COMPONENTS - 500G	BN1-BJ8	AR		£6.45
BR4912	COPPER GREASE - ANTI-SEIZE	BN1-BJ8	AR		£1.48
BR4913	DUAL CIRCUIT-BALANCE BAR MOUNTING LHD	BN1-BN2	1	CBRK295L	£207.50
BR4915	CABLE - BALANCE BAR ADJUSTING	BN4-BJ8	1	CBRK301C	£45.25
BR4917	PEDAL BOX - DUAL CIRCUIT (LHD) EXCHANGE	BN4-BJ8	1	CBRK300L	£343.70
BR4918	PEDAL BOX ASSEMBLY - BRAKE & CLUTCH	BN4-BJ8	1	11B5273	£185.31
BR4920	PEDAL RUBBER - BRAKE AND CLUTCH	BN1-BJ8	2	1B8751 (021-412)	£1.35
BR4922	PEDAL FOOT - WIDE	BN1-BN2	2	CBRK302B	£18.97

BR

Brakes

PART No	DESCRIPTION	APPLICATION	QTY	NOTES	PRICE
BR4930	PEDAL PAD - BRAKE & CLUTCH (ALUM.)	BN1-BJ8	2	1B8817	£14.95
BR4931	PEDAL PAD - BRAKE & CLUTCH (ALUM.) OFF SET	BN1-BJ8	2	OFF SET	£14.95
BR4934	BRAKE PEDAL LEVER - RHD	BN1-BN2	1	11B5102	£82.50
BR4935	BRAKE PEDAL LEVER - LHD	BN1-BN2	1	11B5101	£82.50
BR4940	CLIP - RETURN SPRING (HANDBRAKE)	BN1-BJ8	2	1G7574 (021-757)	£1.75
BR4945	LEVER ASSEMBLY - HANDBRAKE (CHROME)	BN4-BJ8	1	11B5282	£105.00
BR4950	BUTTON - HANDBRAKE	BN1-BN2	1	7H5930	£8.95
BR4951	BUTTON - HANDBRAKE	BN4-BJ8	1	17H789 (021-579)	£8.95
BR4970	ROD - HANDBRAKE	BN1-BN2	1		£10.85
BR4971	ROD - HANDBRAKE	BN4-BJ8	1	(021-716)	£8.89
BR4990	SPRING - HANDBRAKE BUTTON	BN1-BJ8	1	17H790 (021-714)	£2.49
BR5000	PLATE - RATCHETT	BN4-BJ8	1	17H787	£14.95
BR5005	SPACER - HANDBRAKE MOUNTING	BN1-BJ8	2	1B8896	£4.00
BR5010	PAWL	BN1-BJ8	1	17H788 (021-681)	£7.89
BR5015	LEVER - HANDBRAKE MOUNTING PIN	BN1-BJ8	1		£6.50
BR5020	STEADY POST & NUT	BN1-BJ8	4 OR 8	7H4461 (586-015)	£2.45
BR5040	NON RETURN VALVE - SERVO	BN1-BJ8	1	27H6960	£37.50
BR5060	BRACKETS (PR) - STANDARD SERVO MOUNTING	SERVO MODELS	1	AHB9117 (587-305/315)	£31.75
BR5120	CASTROL BRAKE CLEANER (400ML) - AEROSOL	BN1-BJ8	AR		£3.91
BR5125	FRONT DISC BRAKE CONVERSION KIT	BN1	1		£620.00
BR5127	FRONT DISC BRAKE CONVERSION KIT	BN2-BN6	1	WIRE WHEELS ONLY	£660.00
BR5129	FRONT EBC DISC BRAKE CONVERSION KIT	BN2-BN6	1	WIRE WHEELS ONLY	£772.20
BR5130	REAR DISC CONVERSION	BN2-BJ8	1	CBRK220	£398.50
BR5232	CALIPER - REAR (NEW) RH	BN1-BJ8	1	CBRK220R	£282.25
BR5233	CALIPER - REAR (NEW) LH	BN1-BJ8	1	CBRK220L	£282.25
BR5240	BRAKE PAD SET - REAR (COMPETITION)	BN2-BJ8	1	CBRK164R/1	£143.10
BR5241	BRAKE PAD SET- REAR (ROAD)	BN1-BJ8	1	CBRK164R/5	£79.60
BR5242	BRAKE PAD SET (HANDBRAKE)	BN1-BJ8	1	CBRK164RP	£19.50
BR5243	REAR BRAKE DISC	BN2-BJ8	2	CBRK220D	£176.00
BR5244	REAR CALIPER REPAIR KIT	BN2-BJ8	1	CBRK201L	£36.75
BR5250	DISC - REAR BRAKE (ORIGINAL DUNLOP CALIPER TYPE)	100S	2		£240.00
BR5300	CALIPER CYLINDER HOUSING - FRONT - R/H	100S	1		£318.00
BR5301	CALIPER CYLINDER HOUSING - FRONT - L/H	100S	1		£318.00
BR5305	BRAKE CYLINDER - FRONT (2 1/8IN)	100S	4		£200.00
BR5310	CALIPER PISTON ASSEMBLY - FRONT (2.1/8IN)	100S	8		£104.00
BR5311	SEAL KIT - FRONT CALIPER	100S	1		£43.50
BR5312	BRAKE PAD CARRIER (STEEL)	100S	8		£200.00
BR5314	CALIPER MOUNTING BRACKETS - FRONT (PR)	100S	1		£452.00
BR5315	BRAKE RETRACTOR PIN ASSEMBLY	100S	16		£42.00
BR5330	CALIPER MOUNTING BRACKETS - REAR (PR)	100S	1		£604.00
BR5331	CALIPER PISTON ASSEMBLY - REAR (1.3/4IN)	100S	8		£104.00
BR5332	CYLINDER HOUSING - REAR - R/H	100S	1		£350.00
BR5333	CYLINDER HOUSING - REAR - L/H	100S	1		£350.00
BR5334	BRAKE CYLINDER - REAR - (1.3/4IN)	100S	4		£200.00
BR5335	SEAL KIT - REAR CALIPER	100S	1		£42.95
BR5338	LEVER SET - HANDRAKE - R/H	100S	1		£318.00
BR5339	LEVER SET - HANDRAKE - L/H	100S	1		£318.00

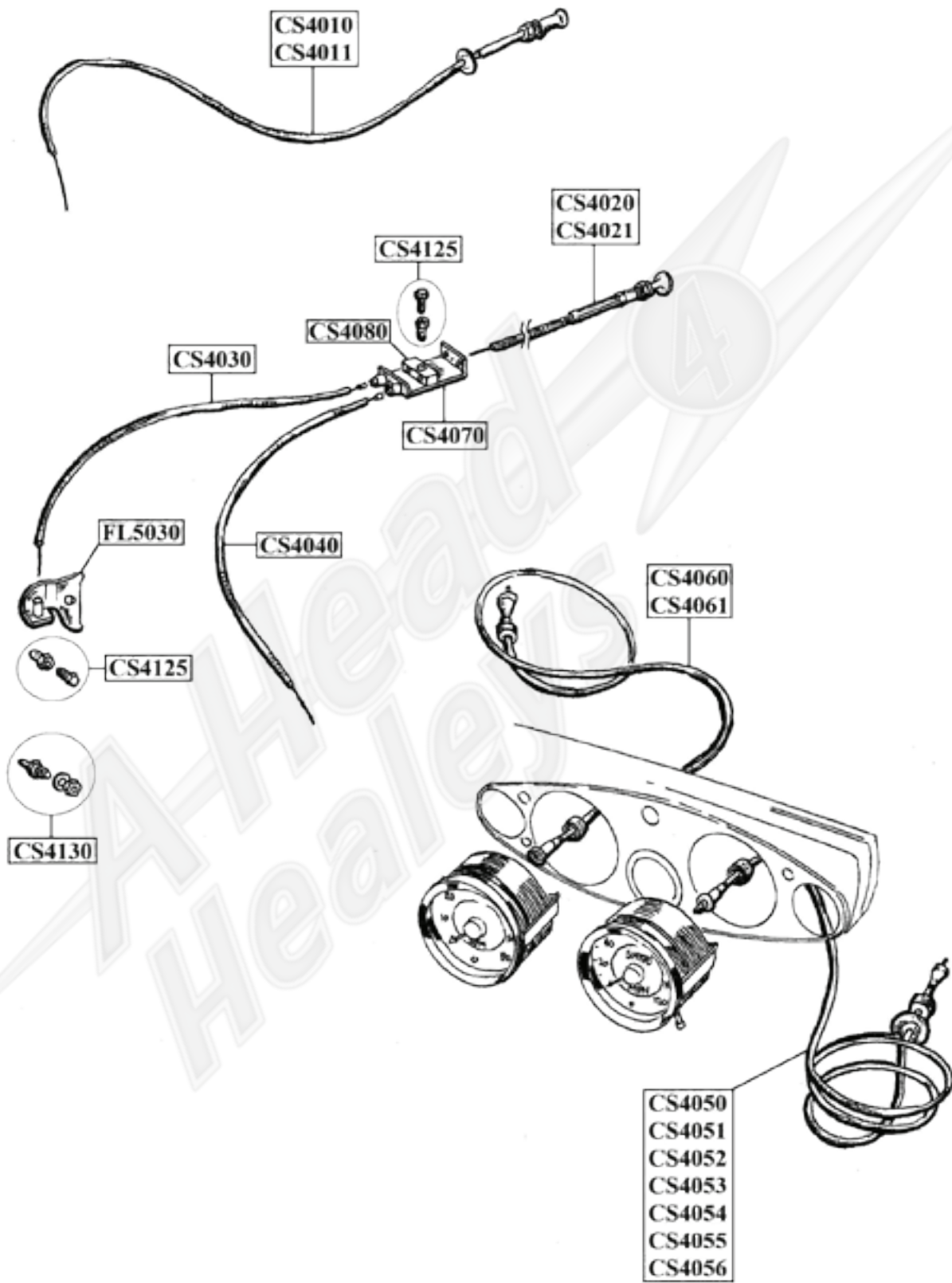
Bumpers



BP

Bumpers

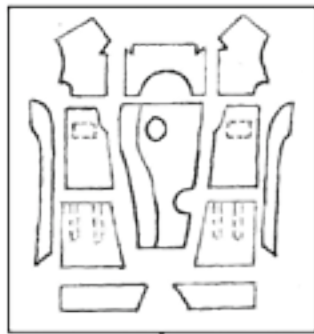
PART №	DESCRIPTION	APPLICATION	QTY	NOTES	PRICE
BP4010	FRONT BUMPER	BN1-BN2	1	1B8780 (854-260)	£149.00
BP4011	FRONT BUMPER	BN4-BJ8	1	11B5303 (031-353)	£171.89
BP4020	REAR BUMPER	BN1-BN2	1	1B8783 (854-270)	£159.50
BP4021	REAR BUMPER	BN4-BJ8	1	11B5312 (031-356)	£171.89
BP4030	CHROME BOLT - REAR BUMPER	BN4-BJ8	2	37H9656 (322-490)	£1.48
BP4040	BUMPER IRON - FRONT RH	BN1-BN2	1	1B8732 (804-270)	£17.50
BP4041	BUMPER IRON - FRONT RH	BN4-BJ8	1	17H9701 (031-354)	£16.75
BP4050	BUMPER IRON - FRONT LH	BN1-BN2	1	1B8733 (804-260)	£17.50
BP4051	BUMPER IRON - FRONT LH	BN4-BJ8	1	17H9702 (031-358)	£16.75
BP4060	BUMPER IRON - REAR RH	BN1-BN2	1	1B8785 (804-300)	£13.75
BP4061	BUMPER IRON - REAR RH	BN4-BJ8	1	17H9699 (804-290)	£13.75
BP4070	BUMPER IRON - REAR LH	BN1-BN2	1	1B8786 (804-310)	£13.75
BP4071	BUMPER IRON - REAR LH	BN4-BJ8	1	17H9700 (804-280)	£13.75
BP4080	OVER RIDER (WITH BOLT & SEAL)	BN1-BN2	4 OR 2	1B8784 (454-010)	£25.25
BP4081	OVER RIDER (WITH BOLT & SEAL)	BN4-BJ8	4	11B5308 (021-393)	£23.50
BP4090	SEAL - OVER RIDER (PR)	BN1-BJ8	4 OR 2	37H9871 (400-418)	£0.30
BP4100	GROMMET (PR) - REAR BUMPER IRONS	BN1-BJ8	1	1A9307/8 (021-755/6)	£5.25
BP4105	BUMPER IRON BLANKING PLUGS	BN1-BJ8	2	CBMP116	£3.31
BP4110	PIPING - BUMPER APRON TO BODY	BN1-BN2	1	14B2529 (021-748)	£3.32
BP4120	BRACKET - NUMBER PLATE LAMP	BN4-BJ8	1	14B1941 (806-360)	£3.25
BP4130	SPACER - BUMPER IRON	BN4-BJ8	6	1G9799 (031-417)	£2.45
BP4150	MOUNTING BRACKET - RALLY O/R	BN1-BN2	2		£24.40
BP4151	MOUNTING BRACKET - RALLY O/R	BN4-BJ8	2		£24.40
BP4152	MOUNTING BRACKET - RALLY O/R	BN4-BJ8	2	CHROME	£46.95
BP4160	RALLY OVER RIDER - REAR	BN1-BJ8	2	14A4734 (400-210)	£49.20
BP4165	MOUNTING BRACKETS - SPOT LAMPS (PR)	BN1-BN2	1		£165.64
BP4170	MOUNTING BRACKETS - SPOT LAMPS (PR)	BN4-BJ8	1		£103.50
BP4175	MOUNTING BRACKET - SPOT LAMP (WELCH TYPE)	BN1-BJ8	1 OR 2	CMSC400	£117.35
BP4180	TOWING BRACKET	BN1-BJ8	1		£11.50



CS

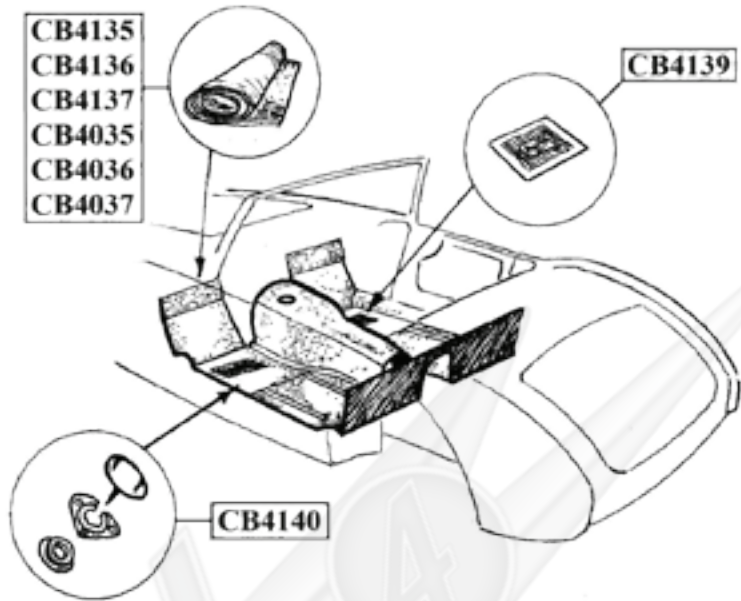
Cables

PART №	DESCRIPTION	APPLICATION	QTY	NOTES	PRICE
CS4010	CHOKE CABLE	BN1-BJ7	1	21A730 (734-130)	£9.95
CS4011	CHOKE CABLE	BN1-BN2	1	1B2752 (734-100)	£25.20
CS4015	CHOKE CABLE SET - SECONDARY (TRI CARB)	BN7-BT7 (TRI-CARB)	1	AHB9044/5/6	£27.05
CS4016	COUPLING ASSEMBLY - CHOKE CONTROL (TRI-CARB)	BN7-BT7 (TRI-CARB)	1	AHB9054	£70.95
CS4020	CHOKE CABLE - MAIN (RHD)	BJ8	1	AHB6021	£17.75
CS4021	CHOKE CABLE - MAIN (LHD)	BJ8	1	USE CS4020	
CS4030	CHOKE CABLE - SECONDARY (FRONT)	BJ7-BJ8	1	AHB6013 (734-190)	£3.30
CS4040	CHOKE CABLE - SECONDARY (REAR)	BJ7-BJ8	1	AHB6014 (734-230)	£3.90
CS4050	SPEEDOMETER CABLE - LHD	BN1-BN2	1	1B3645 (021-380)	£12.39
CS4051	SPEEDOMETER CABLE - RHD	BN1-BN2	1	1B3645	£12.39
CS4052	SPEEDOMETER CABLE - 3FT 6IN	BJ7-BJ8 (NON OD)	1	BHA4294 (021-385)	£7.72
CS4053	SPEEDOMETER CABLE - 4FT	BN1-BJ8	1	ACH8658 (331-300)	£7.75
CS4054	SPEEDOMETER CABLE - 4FT 3IN	BJ7-BJ8 (OD)	1	BHA4293 (021-386)	£8.85
CS4055	SPEEDOMETER CABLE - 4FT 8IN	BN1-BJ8	1	BHA4253 (021-381)	£7.45
CS4056	SPEEDOMETER CABLE - 5FT 2IN	BN1-BJ8	1	GSD118 (021-384)	£8.50
CS4060	TACHOMETER CABLE - RHD	BN1-BN2 (LHD - 6 CYL.)	1	1B9141	£10.22
CS4061	TACHOMETER CABLE - LHD	BN1-BN2 (RHD - 6CYL.)	1	1B9140 (331-300)	£9.55
CS4068	BRACKET - CHOKE CABLE TO PARCEL SHELF	BN1-BN4	1	1B2752B (378-035)	£9.65
CS4070	BRACKET - CHOKE CABLE	BJ7-BJ8	1	AHB9848 (372-225)	£24.65
CS4080	BLOCK - CHOKE CABLE	BJ7-BJ8	1	AHB9839 (372-235)	£9.25
CS4125	CABLE TRUNNION (INCL.SCREW)	BN1-BJ7	2	ACH9042 53K3503 (378-648)	£1.11
CS4130	PIN ASSEMBLY - CHOKE	BJ8	2	ACC5062 (375-108)	£1.50



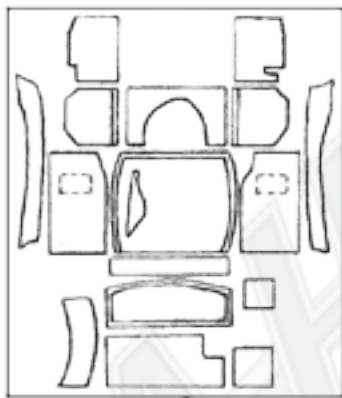
CB4015 CB4115
 CB4016 CB4116
 CB4017 CB4117

CB4135
 CB4136
 CB4137
 CB4035
 CB4036
 CB4037

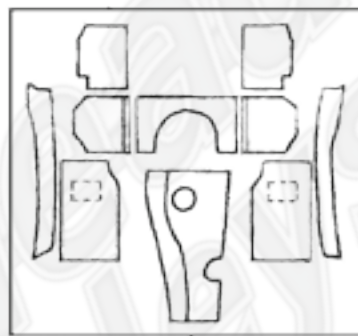


CB4139

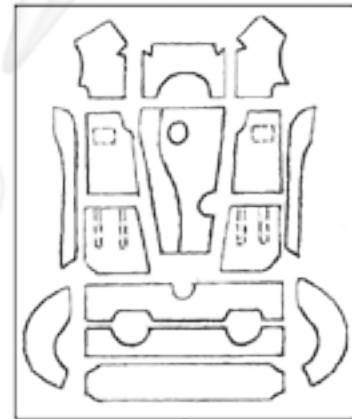
CB4140



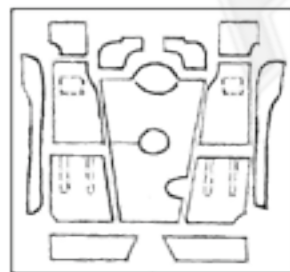
CB4000 CB4004 CB4100 CB4103
 CB4001 CB4005 CB4101 CB4104
 CB4003 CB4006 CB4102 CB4105



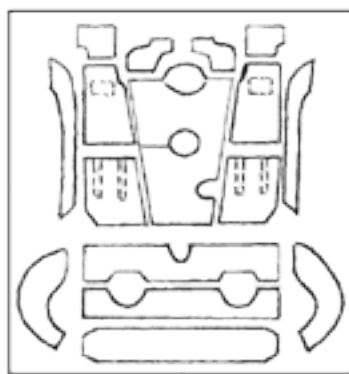
CB4007 CB4106
 CB4008 CB4107
 CB4009 CB4108



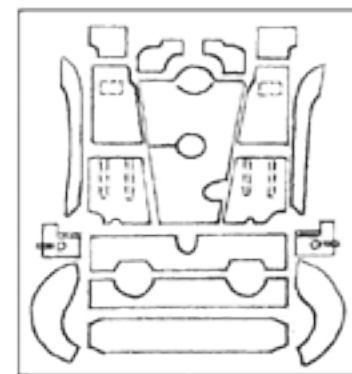
CB4010 CB4110
 CB4011 CB4111
 CB4012 CB4112



CB4020 CB4120
 CB4021 CB4121
 CB4022 CB4122



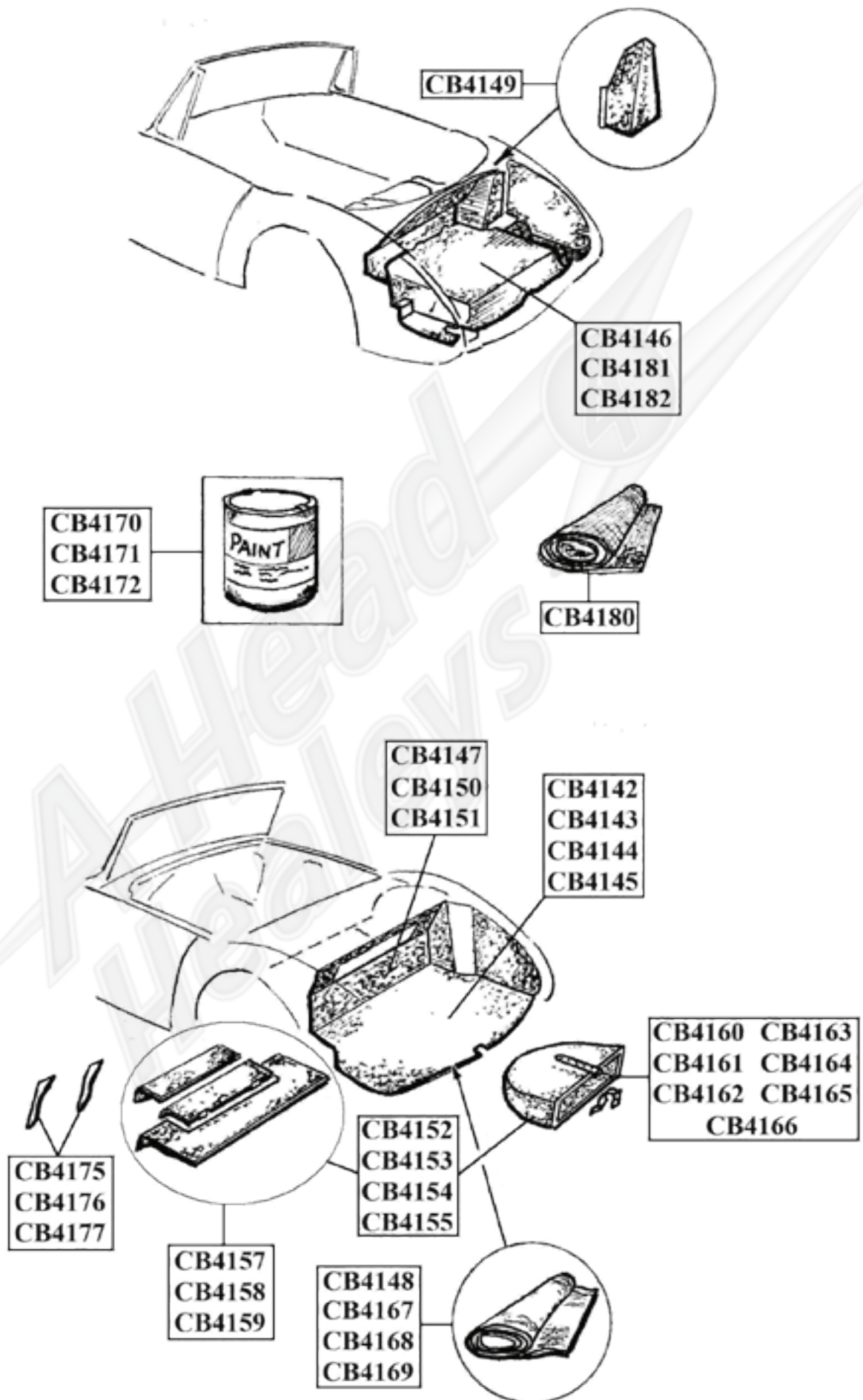
CB4025 CB4125
 CB4026 CB4126
 CB4027 CB4127



CB4030 CB4130
 CB4031 CB4131
 CB4032 CB4132

CB

Carpets



Carpets

PART No	DESCRIPTION	APPLICATION	QTY	NOTES	PRICE
CB4000	CARPET SET - BLACK (RHD) ORIGINAL KARVEL	BN1	1		£159.95
CB4001	CARPET SET - BLACK (LHD) ORIGINAL KARVEL	BN1	1	(248-720)	£159.95
CB4003	CARPET SET - BLUE (RHD) ORIGINAL KARVEL	BN1	1		£159.95
CB4004	CARPET SET - BLUE (LHD) ORIGINAL KARVEL	BN1	1	(248-740)	£159.95
CB4005	CARPET SET - RED (RHD) ORIGINAL KARVEL	BN1	1		£159.95
CB4006	CARPET SET - RED (LHD) ORIGINAL KARVEL	BN1	1	(248-730)	£159.95
CB4007	CARPET SET - BLACK (ORIGINAL KARVEL)	BN2	1	(248-750)	£159.95
CB4008	CARPET SET - BLUE (ORIGINAL KARVEL)	BN2	1	(248-770)	£159.95
CB4009	CARPET SET - RED (ORIGINAL KARVEL)	BN2	1	(248-760)	£159.95
CB4010	CARPET SET - BLACK (SIDE CHANGE) ORIGINAL KARVEL	BN4&BT7	1	(248-780)	£199.95
CB4011	CARPET SET - BLUE (SIDE CHANGE) ORIGINAL KARVEL	BN4&BT7	1	(248-800)	£199.95
CB4012	CARPET SET - RED (SIDE CHANGE) ORIGINAL KARVEL	BN4&BT7	1	(248-790)	£199.95
CB4015	CARPET SET - BLACK (SIDE CHANGE) ORIGINAL KARVEL	BN6&BN7	1	(248-810)	£176.95
CB4016	CARPET SET - BLUE (SIDE CHANGE) ORIGINAL KARVEL	BN6-BN7	1	(248-830)	£176.95
CB4017	CARPET SET - RED (SIDE CHANGE) ORIGINAL KARVEL	BN6-BN7	1	(248-820)	£176.95
CB4020	CARPET SET - BLACK (CENTRE CHANGE) ORIGINAL KARVEL	BN7 MK2	1	(248-840)	£176.95
CB4021	CARPET SET - BLUE (CENTRE CHANGE) ORIGINAL KARVEL	BN7 MK2	1	(248-860)	£176.95
CB4022	CARPET SET - RED (CENTRE CHANGE) ORIGINAL KARVEL	BN7 MK2	1	(248-850)	£176.95
CB4025	CARPET SET - BLACK (CENTRE CHANGE) ORIGINAL KARVEL	BT7 MK2-BJ8.26704	1	(248-870)	£199.95
CB4026	CARPET SET - BLUE (CENTRE CHANGE) ORIGINAL KARVEL	BT7 MK2-BJ8.26704	1	(248-890)	£199.95
CB4027	CARPET SET - RED (CENTRE CHANGE) ORIGINAL KARVEL	BT7 MK2-BJ8.26704	1	(248-880)	£199.95
CB4030	CARPET SET - STANDARD BLACK (ORIGINAL KARVEL)	BJ8.26705 ON	1	(248-900)	£199.95
CB4031	CARPET SET - STANDARD BLUE (ORIGINAL KARVEL)	BJ8.26705 ON	1	(248-920)	£199.95
CB4032	CARPET SET - STANDARD RED (ORIGINAL KARVEL)	BJ8.26705 ON	1	(248-910)	£199.95
CB4035	CARPET MATERIAL - BLACK (P/MTR) ORIGINAL KARVEL	BN1-BJ8	AR		£17.75
CB4036	CARPET MATERIAL - BLUE (P/MTR) ORIGINAL KARVEL	BN1-BJ8	AR		£17.75
CB4037	CARPET MATERIAL - RED (P/MTR) ORIGINAL KARVEL	BN1-BJ8	AR		£17.75
CB4052	UNDER FELT KIT - CARPET	BN4, BT7	1	AHB9269/70/3/4/372/3	£65.75
CB4100	CARPET SET - BLACK (RHD) BEST QUALITY WOOL	BN1	1		£220.00
CB4101	CARPET SET - BLACK (LHD) BEST QUALITY WOOL	BN1	1	(248-720)	£220.00
CB4102	CARPET SET - BLUE (RHD) BEST QUALITY WOOL	BN1	1		£220.00
CB4103	CARPET SET - RED (RHD) BEST QUALITY WOOL	BN1	1		£220.00
CB4104	CARPET SET - BLUE (LHD) BEST QUALITY WOOL	BN1	1	(248-740)	£220.00
CB4105	CARPET SET - RED (LHD) BEST QUALITY WOOL	BN1	1	(248-730)	£220.00
CB4106	CARPET SET - BLACK (BEST QUALITY WOOL)	BN2	1	(248-750)	£230.00
CB4107	CARPET SET - BLUE (BEST QUALITY WOOL)	BN2	1	(248-770)	£230.00
CB4108	CARPET SET - RED (BEST QUALITY WOOL)	BN2	1	(248-760)	£230.00
CB4110	CARPET SET - BLACK (SIDE CHANGE) BEST QUALITY WOOL	BN4&BT7	1	(248-780)	£284.00

CB

Carpets

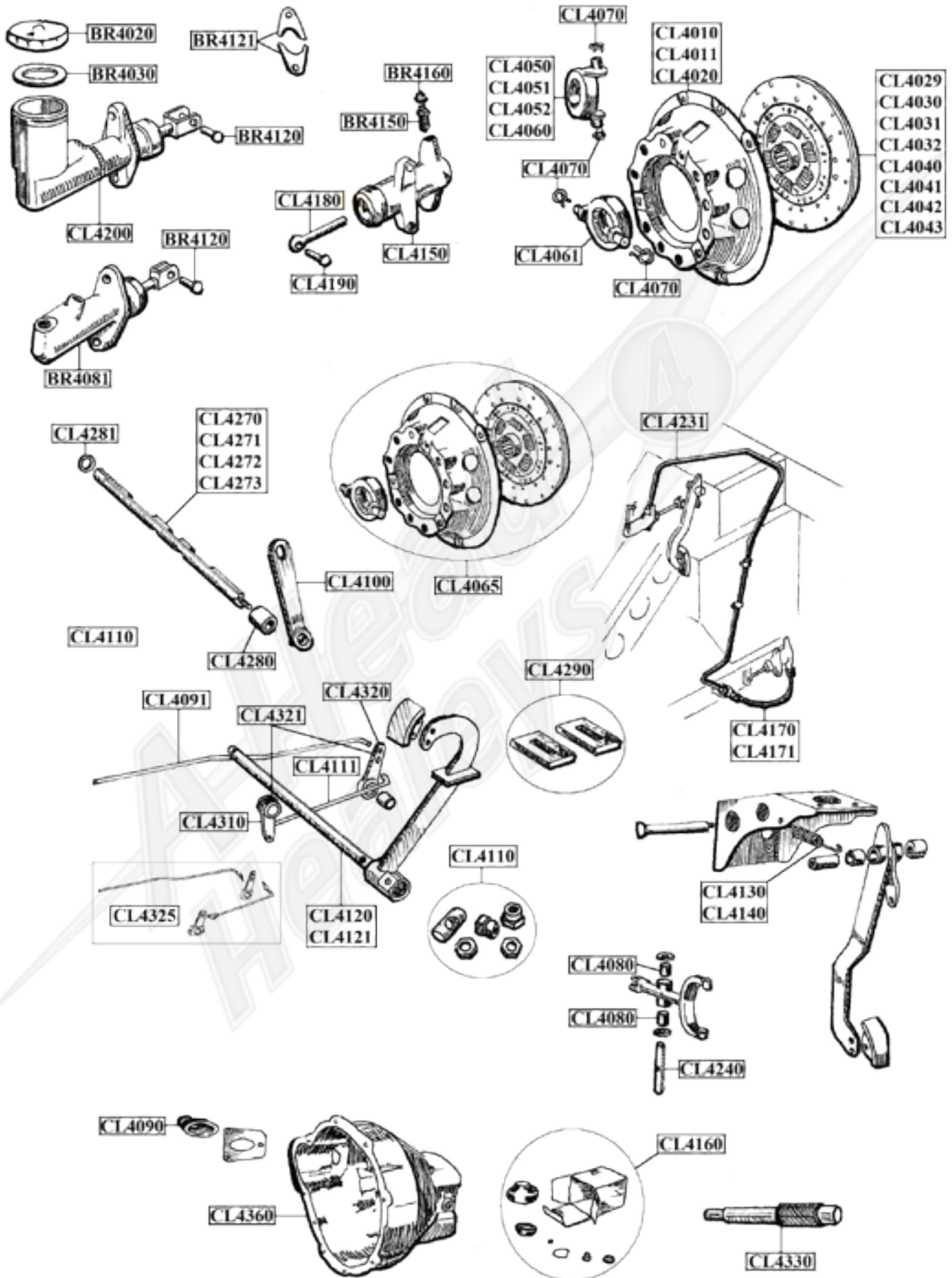
PART No	DESCRIPTION	APPLICATION	QTY	NOTES	PRICE
CB4111	CARPET SET - BLUE (SIDE CHANGE) BEST QUALITY WOOL	BN4&BT7	1	(248-800)	£284.00
CB4112	CARPET SET - RED (SIDE CHANGE) BEST QUALITY WOOL	BN4&BT7	1	(248-790)	£284.00
CB4115	CARPET SET - BLACK (SIDE CHANGE) BEST QUALITY WOOL	BN6&BN7	1	(248-810)	£249.50
CB4116	CARPET SET - BLUE (SIDE CHANGE) BEST QUALITY WOOL	BN6&BN7	1	(248-830)	£249.50
CB4117	CARPET SET - RED (SIDE CHANGE) BEST QUALITY WOOL	BN6&BN7	1	(248-820)	£249.50
CB4120	CARPET SET - BLACK (CENTRE CHANGE) BEST QUALITY WOOL	BN7 MK2	1	(248-840)	£249.50
CB4121	CARPET SET - BLUE (CENTRE CHANGE) BEST QUALITY WOOL	BN7 MK2	1	(248-860)	£249.50
CB4122	CARPET SET - RED (CENTRE CHANGE) BEST QUALITY WOOL	BN7 MK2	1	(248-850)	£249.50
CB4125	CARPET SET - BLACK (CENTRE CHANGE) BEST QUALITY WOOL	BT7 MK2-BJ8.26704	1	(248-870)	£284.00
CB4126	CARPET SET - BLUE (CENTRE CHANGE) BEST QUALITY WOOL	BT7 MK2-BJ8.26704	1	(248-890)	£284.00
CB4127	CARPET SET - RED (CENTRE CHANGE) BEST QUALITY WOOL	BT7 MK2-BJ8.26704	1	(248-880)	£284.00
CB4130	CARPET SET - BLACK (BEST QUALITY WOOL)	BJ8.26705 ON	1	(248-900)	£284.00
CB4131	CARPET SET - BLUE (BEST QUALITY WOOL)	BJ8.26705 ON	1	(248-920)	£284.00
CB4132	CARPET SET - RED (BEST QUALITY WOOL)	BJ8.26705 ON	1	(248-910)	£284.00
CB4135	CARPET MATERIAL - BLACK (P/MTR) BEST QUALITY WOOL	BN1-BJ8	AR		£35.00
CB4136	CARPET MATERIAL - BLUE (P/MTR) - BEST QUALITY WOOL	BN1-BJ8	AR		£35.00
CB4137	CARPET MATERIAL - RED (P/MTR) - BEST QUALITY WOOL	BN1-BJ8	AR		£35.00
CB4139	RUBBER HEEL MAT - AUSTIN	BN1-BJ8	1 OR 2	2H6961	£6.10
CB4140	CLIP ASSY. (3 PIECE) - CARPET FIXING	BN1-BJ8	AR	(228-128)	£0.70
CB4142	BOOT LINING KIT- RED	BN1-BN2	1	(249-910)	£102.25
CB4143	BOOT LINING KIT - BLUE	BN1-BN2	1	(249-910)	£102.25
CB4144	BOOT LINING KIT - GREEN	BN1-BN2	1	(249-910)	£102.25
CB4145	BOOT LINING KIT - BLACK	BN1-BN2	1	(249-910)	£70.50
CB4146	BOOT LINING KIT INCL. F/NECK COVER - BLACK	BN4,BT7,BJ7&BJ8	1	(249-915/930)	£59.50
CB4147	BOOT LINING KIT - BLACK	BN6&BN7	1	(249-920)	£88.95
CB4148	ARMACORD MATERIAL - BOOT (PER METRE)	BN1-BJ8	1		£13.25
CB4149	FILLER NECK COVER	BN4,BT7,BJ7&BJ8	1	14B8708 (805-990)	£4.25
CB4150	BOOT LINING KIT - RED	BN6&BN7	1	(249-920)	£98.50
CB4151	BOOT LINING KIT - BLUE	BN6&BN7	1	(249-920)	£98.50
CB4152	REAR DECK TRIM KIT- RED	BN1-BN2	1	(249-912)	£109.50
CB4153	REAR DECK TRIM KIT - BLUE	BN1-BN2	1	(249-912)	£109.50
CB4154	REAR DECK TRIM KIT - GREEN	BN1-BN2	1	(249-912)	£109.50
CB4155	REAR DECK TRIM KIT - BLACK	BN1-BN2	1	(249-912)	£89.45
CB4157	REAR DECK TRIM KIT - BLUE (2 SEATERS)	BN6&BN7	1		£24.50
CB4158	REAR DECK TRIM KIT - BLACK (2 SEATERS)	BN6&BN7	1	AHB5531	£17.95
CB4159	REAR DECK TRIM KIT - RED (2 SEATERS)	BN6&BN7	1		£24.50
CB4160	GLOVE - SPARE WHEEL (ALL BLACK)	BN6&BN7	1	AHB5515	£63.65
CB4161	GLOVE - SPARE WHEEL (ALL BLUE)	BN6&BN7	1	AHB5514	£63.65
CB4162	GLOVE - SPARE WHEEL (ALL RED)	BN6&BN7	1	4B5122	£63.65

Carpets

PART №	DESCRIPTION	APPLICATION	QTY	NOTES	PRICE
CB4163	GLOVE - SPARE WHEEL (BLACK/WHITE)	BN6&BN7	1		£63.65
CB4164	GLOVE - SPARE WHEEL (BLUE/WHITE)	BN6&BN7	1		£63.65
CB4165	GLOVE - SPARE WHEEL (BLACK/RED)	BN6&BN7	1		£63.65
CB4166	GLOVE - SPARE WHEEL (RED/WHITE)	BN6&BN7	1		£63.65
CB4167	ARMACORD MATERIAL - BLUE (PER METRE)	BN1-BN4.60413	AR		£15.75
CB4168	ARMACORD MATERIAL - GREEN (PER METRE)	BN1-BN4.60413	AR		£15.75
CB4169	ARMACORD MATERIAL - RED (PER METRE)	BN1-BN4.60413	AR		£15.75
CB4175	BATTERY COVER STRAP - BLACK	BN1-BN2 & BN6-BN7	2		£4.50
CB4176	BATTERY COVER STRAP - BLUE	BN1-BN2 & BN6-BN7	2		£4.50
CB4177	BATTERY COVER STRAP - RED	BN1-BN2 & BN6-BN7	2		£4.50
CB4180	HEAT RESISTANT CLOTH - (4FT x 6FT SHEET)	BN1-BJ8	AR	CIBP237	£36.95
CB4181	BOOT LINING KIT - (BLUE) INCL. F/NECK COVER	BN4	1		£67.79
CB4182	BOOT LINING KIT - (RED) INCL. F/NECK COVER	BN4	1		£67.79

CB

Clutch



Clutch

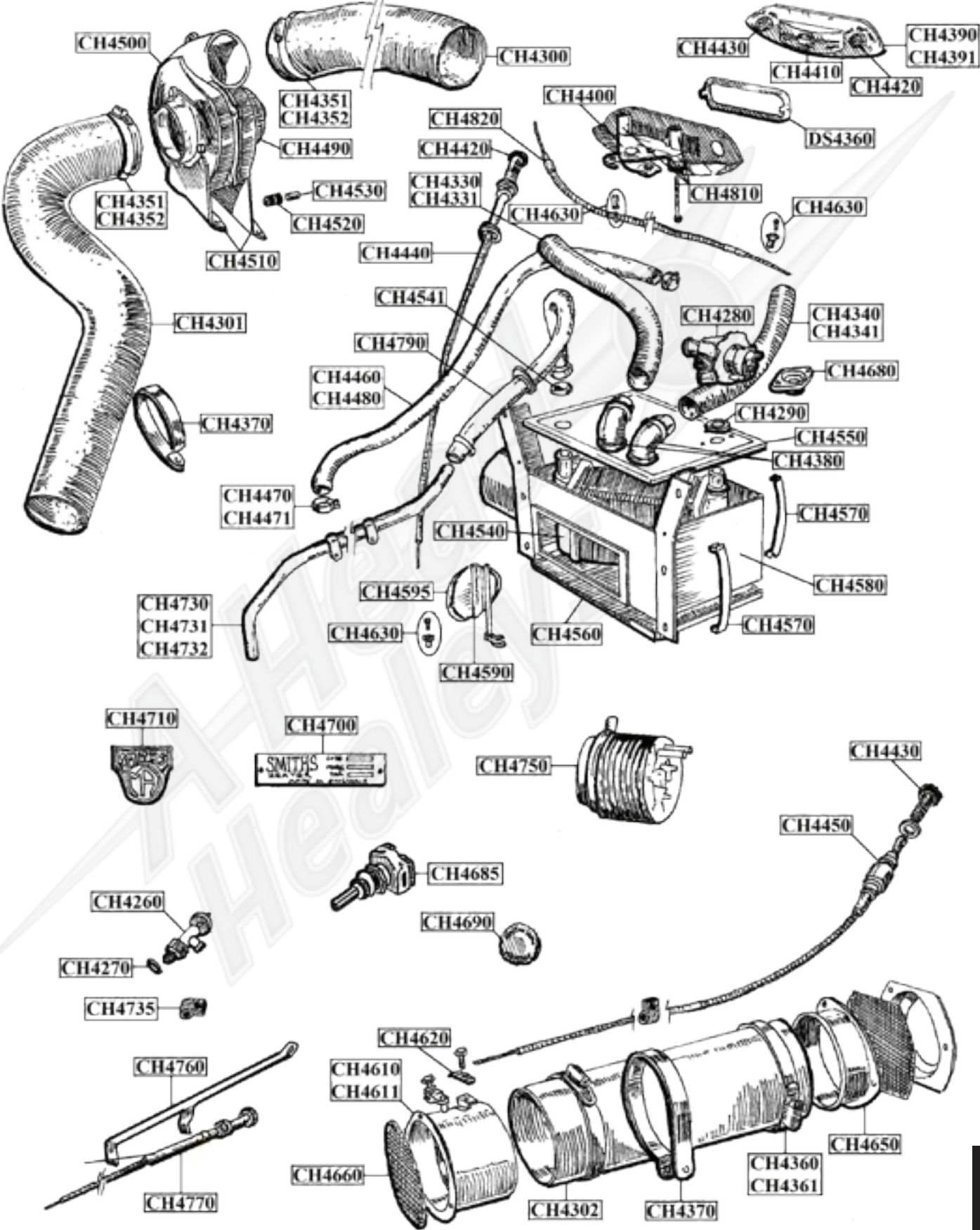
PART №	DESCRIPTION	APPLICATION	QTY	NOTES	PRICE
CL4010	COVER ASSEMBLY - 9IN	BN1-BN6	1	7H3157 (021-135)	£102.50
CL4011	COVER ASSEMBLY - 10IN	BN7-BJ7(E)29F4878	1	AEJ16 (021-136)	£95.00
CL4020	COVER ASSEMBLY - 9.1/2IN	BJ7(E)29F4879-BJ8	1	13H4751 (021-139)	£85.50
CL4029	DRIVEN PLATE	BN1	1	7H3225 (591-020)	£92.45
CL4030	DRIVEN PLATE (EXCHANGE)	BN1	1	7H3225 (591-020)	£62.85
CL4031	DRIVEN PLATE	BN2-BN6	1	7H3238 (USE CL4040)	
CL4032	DRIVEN PLATE	BN7-BJ7(E)29F4878	1	AEJ17 (500-100)	£59.95
CL4040	DRIVEN PLATE	BJ7(E)29F4879-BJ8	1	GCP109 (021-140)	£48.95
CL4041	DRIVEN PLATE	BJ7(E)29F4879-BJ8	1	GCP109 (021-140)	£29.95
CL4042	DRIVEN PLATE - HEAVY DUTY (9.1/2IN)	BJ7(E)29F4879-BJ8	1		£71.95
CL4043	DRIVEN PLATE - 9.1/2IN (PADDLE TYPE - AP)	BN1-BJ8	1	CCLU108P	£239.50
CL4050	RELEASE BEARING	BN1	1	7H3141 (595-020)	£19.50
CL4051	RELEASE BEARING	BN2-BN6	1	7H3132 (501-022)	£16.79
CL4052	RELEASE BEARING	BN7-BJ7(E)29F4878	1	7H3120 (501-020)	£14.50
CL4055	RELEASE BEARING - AP	BN1	1		£38.95
CL4056	RELEASE BEARING - AP	BN2-BN6	1		£41.75
CL4057	RELEASE BEARING - AP	BT7-BJ7(E)29F4897	1		£37.75
CL4060	RELEASE BEARING - AP	BJ7(E)29F4879-BJ8	1	GRB105 (501-032)	£36.95
CL4061	RELEASE BEARING-BALL RACE TYPE	BN1-BJ8	1	CCLU112M	£114.46
CL4062	CLUTCH KIT - AP	BN2-BN6	1		£184.50
CL4063	CLUTCH KIT - AP	BN7-BJ7(E)29F4897	1		£186.95
CL4064	CLUTCH KIT - AP	BJ7(E)29F4898-BJ8	1		£170.50
CL4065	HEAVY DUTY CLUTCH KIT - AP	BN4-BJ8	1	DIAPHRAGM TYPE	£175.00
CL4070	CLIP - RELEASE BEARING	BN1-BJ8	2	7H4048 (190-310)	£1.20
CL4080	BUSH - RELEASE FORK	BN4-BJ8	2	AEC3102 (330-470)	£1.21
CL4090	GAITER - CLUTCH RELEASE FORK	BN4-BJ8	1	AEC3106 (031-370)	£3.50
CL4091	CONNECTING ROD - CLUTCH (ADJUSTABLE)	BN1-BN2	1	1B8743	£25.50
CL4100	LEVER - OPERATING	BN1-BN2	1	1B8741 (596-240)	£14.20
CL4110	TRUNNION ASSY - OP. LEVER	BN1-BN2	1	1G4077 (596-198)	£13.23
CL4111	CONNECTING ROD - CLUTCH (NON-ADJUSTABLE)	BN1-BN2	1	1B8753	£26.49
CL4120	PEDAL SHAFT - BRAKE & CLUTCH (LHD)	BN1-BN2	1	1B8728 (021-701)	£36.95
CL4121	PEDAL SHAFT - BRAKE & CLUTCH (RHD)	BN1-BN2	1	1B8793	£36.95
CL4124	SPACING SLEEVE - PEDAL SHAFT (RHD)	BN1-BN2	1	1B8798	£16.95
CL4130	RETURN SPRING - CLUTCH PEDAL	BN1-BN2	1	1G5999 (329-065)	£1.75
CL4140	RETURN SPRING - CLUTCH PEDAL	BN4-BJ8	1	11B5283 (329-075)	£6.04
CL4150	SLAVE CYLINDER	BN4-BJ8	1	BHA4112 (513-316)	£30.00
CL4160	REPAIR KIT - SLAVE CYLINDER	BN4-BJ8	1	8G8249 (513-127)	£3.55
CL4170	FLEXIBLE HOSE - HYDRAULIC	BN4-BJ8	1	1G9516 (584-760)	£4.95
CL4171	HYDRAULIC HOSE - S.S. BRAID (GOODRIDGE)	BN4-BJ8	1		£18.95
CL4172	CLUTCH BLEED PIPE BRAIDED	BN4-BJ8	1	CCLU130	£21.30
CL4180	PUSH ROD - SLAVE CYLINDER	BN4-BJ8	1	BHA4134 (596-220)	£5.25
CL4190	CLEVIS PIN - PUSH ROD	BN4-BJ8	1	2K5622 (325-140)	£1.40
CL4200	MASTER CYLINDER	BN4-BN4.48862	1	11B5281 (513-323)	£58.95
CL4201	MASTER CYLINDER	BN4.48863 - BJ8	1	11B5510 (USE BR4081)	
CL4202	REPAIR KIT - MASTER CYLINDER	BN4.48863 - BJ8	1	8G8807 (USE BR4110)	

CL

Clutch

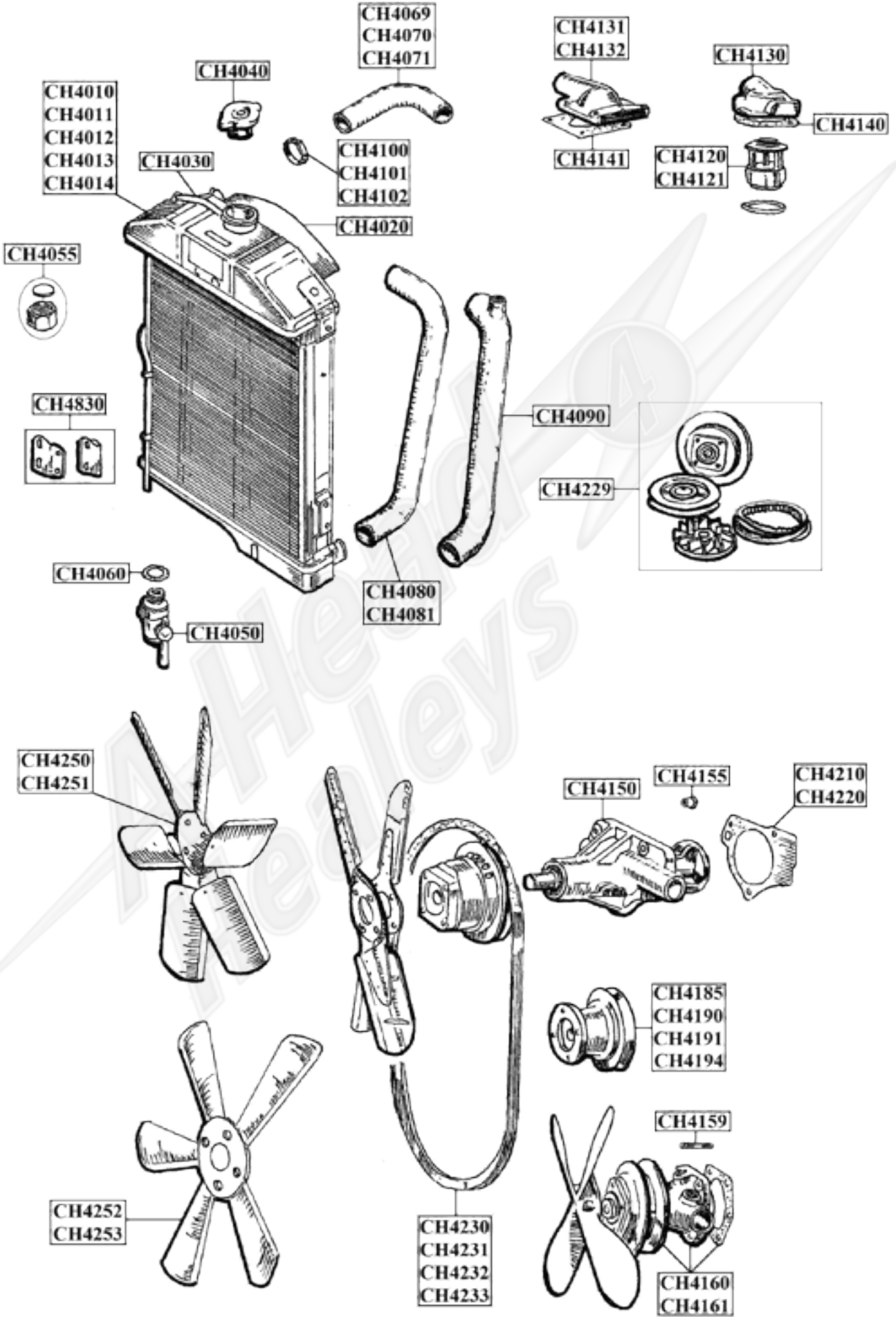
PART №	DESCRIPTION	APPLICATION	QTY	NOTES	PRICE
CL4230	CLUTCH PIPE - RHD (M/CYL TO HOSE) - KUNIFER	BN4-BJ8	1		£8.32
CL4231	CLUTCH PIPE - LHD (M/CYL TO HOSE) - COPPER	BN4-BJ8	1	11B5398 (021-932)	£11.25
CL4240	SHAFT - CLUTCH FORK	BN4-BJ8	1	AEC3649 (021-929)	£14.81
CL4270	CLUTCH OPERATING SHAFT - RHD	BN1	1	1B3507	£65.55
CL4271	CLUTCH OPERATING SHAFT - LHD	BN1	1	1B8765 (021-702)	£65.55
CL4272	CLUTCH OPERATING SHAFT - RHD	BN2	1	1B3716	£42.25
CL4273	CLUTCH OPERATING SHAFT - LHD	BN2	1	1B3717 (021-705)	£42.25
CL4275	WASHER - LEVER CLUTCH OPERATING SHAFT	BN1-BN2	1	1B3321	£11.99
CL4280	BUSH - CLUTCH SHAFT	BN1-BN2	4	3H1235 (330-460)	£7.99
CL4281	CIRCLIP - CLUTCH SHAFT	BN1-BN2	2	1F3349 (CLU154A)	£0.89
CL4288	CLUTCH PEDAL LEVER - RHD	BN1-BN2	1	1B8796	£75.50
CL4289	CLUTCH PEDAL LEVER - LHD	BN1-BN2	1	1B8738	£75.50
CL4290	PEDAL DUST EXCLUDERS - PR	BN1-BN2	1	1B8838 (682-120)	£7.75
CL4310	LEVER - CLUTCH OPERATING RODS (USED)	BN1-BN2	1	1B8752 (021-703)	£37.50
CL4320	LEVER - CLUTCH OPERATING RODS (USED)	BN1-BN2	1	1B8727 (596-015)	£64.95
CL4321	UPRATED CLUTCH LEVERS - PR	BN1-BN2	1	XLCCLU123	£48.53
CL4325	CLUTCH LINKAGE - HEAVY DUTY	BN1-BN2	1	CCLU123	£104.37
CL4330	ALIGNMENT TOOL - CLUTCH PLATE	BN2-BJ8	1	(021-665)	£42.56
CL4360	BELL HOUSING - EXCHANGE (RE-FURB)	BN4	1		£78.70

Cooling & Heating



CH

Cooling & Heating



Cooling & Heating

PART №	DESCRIPTION	APPLICATION	QTY	NOTES	PRICE
CH4008	RADIATOR - NEW	BN1-BN2	1	1B2889	£419.50
CH4010	RADIATOR - REBUILT (EXCHANGE)	BN1-BN2	1	1B2889	£215.25
CH4011	RADIATOR - ALUMINIUM (HIGH PERFORMANCE)	BN1-BN2	1		£729.75
CH4012	RADIATOR - REBUILT (EXCHANGE)	BN4-BJ8	1	AHB8946 (UP-RATED CORE)	£215.95
CH4013	RADIATOR - NEW (HIGH PERFORMANCE)	BN4-BJ8	1	AHB8946 (834-990)	£297.75
CH4014	RADIATOR - ALUMINIUM (HIGH PERFORMANCE)	BN4-BJ8	1		£485.00
CH4020	FAN GUARD - RADIATOR	BN1-BJ8	1	(806-420)	£8.45
CH4030	OVERFLOW PIPE - RADIATOR	BN1-BJ8	1	(021-306)	£2.20
CH4040	CAP 7LBS - RADIATOR	BN1-BJ8	1	GRC101 (583-004)	£2.95
CH4041	CAP 10LBS - RADIATOR	BN1-BJ8	1	GRC130	£5.55
CH4050	DRAIN TAP - RADIATOR	BN1-BJ8	1	2H10 (660-010)	£16.95
CH4055	BLANKING PLUG - RADIATOR	BN4-BJ8	1	AHB5401	£7.48
CH4060	WASHER - DRAIN TAP	BN1-BJ8	1	2K4954 (324-670)	£0.23
CH4068	TOP HOSE - SILICONE	BN1-BN2	1	1B1666S	£32.60
CH4069	TOP HOSE	100S	1		£19.50
CH4070	TOP HOSE	BN1-BN2	1	1B1666 (021-067)	£3.87
CH4071	TOP HOSE	BN4-BJ8	1	11B2115 (570-083)	£3.45
CH4073	TOP HOSE - SILICONE	BN4-BJ8	1	11B2115 (570-083)	£27.38
CH4079	BOTTOM HOSE - SILICONE	BN1-BN2	1	1B1539S	£43.35
CH4080	BOTTOM HOSE	BN1-BN2	1	1B1539 (570-021)	£6.30
CH4081	BOTTOM HOSE (WITHOUT HEATER)	BN4-BJ8	1	AHB8970 (021-068)	£5.89
CH4082	BOTTOM HOSE (WITHOUT HEATER) - SILICONE	BN4-BJ8	1	AHB8970	£51.95
CH4090	BOTTOM HOSE (WITH HEATER)	BN4-BJ8	1	AHB8971 (570-085)	£13.69
CH4091	BOTTOM HOSE (WITH HEATER) - SILICONE	BN4-BJ8	1	AHB8971 (570-085)	£48.67
CH4100	CLIP - HOSE (JUBILEE TYPE)	BN1-BJ8	4	GHC1015 (326-350)	£0.49
CH4101	CLIP - HOSE (WIRE TYPE)	BN1-BJ8	4	8G632 (326-430)	£0.80
CH4102	CLIP - HOSE (PIN & STRIP TYPE)	BN1-BN6	4	14G800 (326-350)	£4.10
CH4120	THERMOSTAT - 74 DEGREE C	BN1-BN2	1	GTS102	£3.20
CH4121	THERMOSTAT - 82 DEGREE C	BN4-BJ8	1	GTS104	£2.75
CH4130	HOUSING - THERMOSTAT	BN4-BJ8	1	AEC158 (021-346)	£11.85
CH4131	HOUSING - THERMOSTAT	BN1-BN2	1	1B1712 (835-560)	£39.25
CH4132	HOUSING - THERMOSTAT - (USED)	BN1-BN2	1	1B1712 (835-560)	£22.50
CH4140	GASKET - THERMOSTAT HOUSING	BN4-BJ8	1	1K1056 (292-100)	£0.60
CH4141	GASKET - THERMOSTAT HOUSING	BN1-BN2	1	(697-320)	£0.95
CH4150	WATER PUMP - NEW	BN1-BN2	1	1B3224 (021-065)	£42.55
CH4151	WATER PUMP - NEW (ORIGINAL STYLE)	BN1-BN2	1	1B3224 (021-065)	£63.50
CH4155	TUBE NUT-WATER PUMP MTG	BN1-BN2	2	CHT124B (1D105)	£6.62
CH4159	STUD - WATER PUMP	BN4-BJ8	4	53K485	£1.85
CH4160	WATER PUMP - 3/8IN PULLEY	BN4-BJ8	1	GWP112 (835-020)	£48.95
CH4161	WATER PUMP - 1/2IN PULLEY	BJ8.MAR'66 ON	1	GWP110 (580-010)	£42.55
CH4184	PULLEY - WATERPUMP	BN1-BN2	1	1B1024	£55.00
CH4185	PULLEY - WATER PUMP (NARROW-ALUM)	BN1-BN2	1	CCHT130	£79.50
CH4190	PULLEY - PRESS ON TYPE WATER PUMP	BN4-BJ8	1		£20.54
CH4191	PULLEY - WATER PUMP	BJ8	1	12B700	£19.75
CH4194	PULLEY - ALUMINIUM - PRESS ON	BN4-BJ8	1		£57.30
CH4210	GASKET - WATER PUMP	BN1-BN2	1	1K128 (697-330)	£0.65

CH

Cooling & Heating

PART No	DESCRIPTION	APPLICATION	QTY	NOTES	PRICE
CH4220	GASKET - WATER PUMP	BN4-BJ8	1	88G424 (697-370)	£0.65
CH4229	FAN BELT - NARROW CONVERSION	BN1-BN2	1	CCHT137	£8.56
CH4230	FAN BELT	BN1-BN2	1	2H4238 (021-066)	£6.50
CH4231	FAN BELT	BN4-BN6	1	AEC289 (834-045)	£4.00
CH4232	FAN BELT - 3/8IN	BN7&BT7-BJ8 MAR'66	1	GFB122 (834-050)	£5.50
CH4233	FAN BELT - 1/2IN	BJ8.MAR'66 ON	1	GFB123 (834-060)	£7.95
CH4235	FAN BELT CONVERSION (NARROW BELT)	BN1-BN2	1	CENG591	£199.25
CH4244	BOLT - FAN TO PULLEY	BN1-BN2	4	2K3050	£0.80
CH4248	COOLING FAN - ALUMINIUM (USED)	BN1-BN2	1	1B2852	£81.50
CH4250	COOLING FAN - 6 BLADE	BN1-BN2	1		£42.07
CH4251	COOLING FAN - 6 BLADE	BN4-BJ8	1	AEC76	£29.50
CH4252	COOLING FAN - 5 BLADE PLASTIC (RED)	BN1-BN2	1		£43.95
CH4253	COOLING FAN - 5 BLADE PLASTIC (YELLOW)	BN4-BJ8	1	(231-708)	£37.25
CH4260	HEATER CONTROL TAP	BN1-BN2	1	2H4342 (360-400)	£9.85
CH4270	WASHER - HEATER CONTROL TAP	BN1-BN2	1	2K6554 (324-065)	£0.32
CH4280	WATER VALVE - HEATER	BN4-BJ8	1	27H1171 (021-573)	£14.29
CH4290	O RING - HEATER VALVE	BN4-BJ8	1	2H35 (282-760)	£0.25
CH4300	HEATER TRUNKING - 3.1/4IN DIAMETER	BN4-BJ8	1	14B6601 (456-150)	£10.75
CH4301	HEATER TRUNKING - 4IN DIAMETER	BN4-BJ8	1	14B9821 (456-120)	£11.95
CH4302	COLD AIR TRUNKING - 4IN DIAMETER	BN4-BJ8	1	14B2749 (456-130)	£15.75
CH4310	HEATER TRUNKING - 3.1/4IN DIA. - NEOPRENE (PER METRE)	BN4-BJ8	1	14B6601	£27.50
CH4311	HEATER TRUNKING - 4IN DIA. - NEOPRENE (PER METRE)	100S	AR	14B9821, 14B2749	£32.00
CH4330	DEMISTER TRUNKING - SHORT	BN1-BN2	1	14B3790 (456-135)	£3.25
CH4331	DEMISTER TRUNKING - SHORT R/H	BN4-BJ8	1	14B6603 (456-170)	£2.70
CH4340	DEMISTER TRUNKING - LONG	BN1-BN2	1	14B3791 (456-155)	£3.65
CH4341	DEMISTER TRUNKING - LONG L/H	BN4-BJ8	1	14B6602 (456-170)	£2.95
CH4351	TRUNKING CLIP - 3.1/4IN (JUBILEE TYPE)	BN4-BJ8	2	14G5630	£0.95
CH4352	TRUNKING CLIP - 3.1/4IN (WIRE TYPE)	BN4-BJ8	2	14G5630 (326-485)	£2.30
CH4353	TRUNKING CLIP - 3.1/4IN (STAINLESS STEEL JUBILEE)	BN4-BJ8	2	14G5630	£2.60
CH4360	TRUNKING CLIP - 4IN (JUBILEE TYPE)	BN1-BJ8	1 OR 3	HCS3036	£0.79
CH4361	TRUNKING CLIP - 4IN (WIRE TYPE)	BN1-BJ8	1 OR 3	14G800 (326-255)	£3.73
CH4363	TRUNKING CLIP - 4IN (STAINLESS STEEL JUBILEE)	BN1-BJ8	1 OR 3	HCS3036	£2.95
CH4370	CLAMP - AIR TRUNKING TO BODY	BN4-BJ8	1 OR 2	AHH5714 (326-220)	£2.40
CH4380	ELBOW - DEMISTER TUBE TO HEATER	BN4-BJ8	2	14G3499 (635-520)	£5.55
CH4390	CONTROL PANEL - HEATER	BN4-BJ8	1	13H77 (021-573)	£5.89
CH4391	BLANKING PLATE - HEATER CONTROL (POLKA-DOT ALLOY)	BN4-BJ8	1	633-685	£15.20
CH4400	HEATER SWITCH	BN4-BJ8	1	13H78 (021-574)	£21.00
CH4410	KNOB - HEATER BOOST	BN4-BJ8	1	13H76 (021-576)	£3.50
CH4420	KNOB - PUSH, HEATER CONTROL	BN4-BJ8	1	17H1494 (635-500)	£4.90
CH4430	KNOB - PULL (COLD AIR)	BN4-BJ8	1	17H1493 (635-510)	£4.75
CH4440	CABLE - AIR TO HEATER	BN4-BJ8	1	14B7780 (331-320)	£17.50
CH4450	CABLE - FRESH AIR INTAKE	BN4-BJ8	1	14B7782 (331-330)	£18.60
CH4460	HEATER HOSE - 1/2IN (PER FOOT)	BN1-BJ8	AR	37H3718	£1.49
CH4470	CLIP - HEATER HOSE (1/2IN JUBILEE TYPE)	BN1-BJ8	5	BHH1940	£0.45

Cooling & Heating

PART №	DESCRIPTION	APPLICATION	QTY	NOTES	PRICE
CH4471	CLIP - HEATER HOSE (1/2IN WIRE TYPE)	BN1-BJ8	5	8G531 (635-100)	£0.95
CH4480	HEATER HOSE - 5/8IN (PER FOOT)	BN1-BJ8	AR		£1.25
CH4490	HEATER BLOWER ASSEMBLY - COMPLETE	BN4-BJ8	1	14B6598 (363-075)	£218.95
CH4492	FAN - PLASTIC - BLOWER MOTOR	BN4-BJ8	1		£6.50
CH4495	HEATER CONVERSION KIT - INCLS. BLOWER, HEATER & MOUNTINGS	BN4-BJ8	1	MODERN ACCESSORY	£244.95
CH4500	CASING - HEATER BLOWER	BN4-BJ8	1	17H819 (635-540)	£43.00
CH4510	BRACKET - HEATER BLOWER	BN4-BJ8	2	(363-345)	£4.90
CH4520	GROMMET - BLOWER MOUNTING	BN4-BJ8	4	27H1179 (363-335)	£1.40
CH4530	SPACER - BLOWER GROMMET	BN4-BJ8	4	(363-385)	£0.42
CH4540	HEATER RADIATOR	BN4-BJ8	1	27H1173 (635-530)	£95.45
CH4541	GROMMET - HEATER RAD TO W/PIPE	BN4-BJ8	1	17H1591	£0.75
CH4550	HEATER BOX - BOTTOM	BN4-BJ8	1	(363-175)	£14.80
CH4560	HEATER BOX - TOP	BN4-BJ8	1	(363-165)	£16.70
CH4570	SPRING CLIP - HEATER UNIT	BN1-BJ8	3	27H1174 (363-375)	£0.95
CH4575	DOOR - HEATER OUTLET	BN4-BJ8	2		£19.95
CH4576	DOOR - HEATER OUTLET - ORIGINAL (USED)	BN4-BJ8	2		£19.50
CH4580	HEATER UNIT CASE - COMPLETE (LESS RADIATOR)	BN4-BJ8	1	14B6599	£168.10
CH4585	HEATER UNIT CASE - COMPLETE	BN4-BJ8	1	14B6599A (INCL. RADIATOR)	£333.15
CH4590	RUBBER SEAL - AIR VALVE INLET	BN4-BJ8	2	17H1607 (363-415)	£3.95
CH4594	VALVE - AIR INLET WITH SEAL	BN1-BN2	1	14G609	£8.40
CH4595	VALVE - AIR INLET WITH SEAL	BN4-BJ8	1	27H1177	£7.95
CH4610	AIR INTAKE ASSEMBLY - INCLUDES VALVE	BN1-BN2	1	4G5400 (363-115)	£51.50
CH4611	AIR INTAKE ASSEMBLY - INCLUDES VALVE	BN4-BJ8	1	14B7711 (363-155)	£56.25
CH4620	CABLE CLAMP	BN4-BJ8	2	14G6451	£1.45
CH4630	TRUNNION & SCREW	BN4-BJ8	4	14B7810 (473-070)	£1.40
CH4650	FLANGE - AIR INTAKE (REAR)	BN4-BJ8	1	14B7712 (363-355)	£4.90
CH4660	WIRE MESH - AIR INTAKE	BN4-BJ8	1	17H1597 (363-125)	£3.15
CH4680	PLATE - HEATER VALVE (CONNECTING)	BN4-BJ8	1	27H614C (021-630)	£5.05
CH4685	RHEOSTAT SWITCH	BN1-BN2	1	2H9354	£48.00
CH4690	KNOB - HEATER CONTROL	BN1-BN2	1	4K5888	£19.95
CH4700	PLATE - SMITHS HEATER	BN1-BJ8	1	(408-350)	£1.95
CH4710	DECAL - SMITHS HEATER	BN1-BN2	1		£5.25
CH4730	WATER PIPE - COPPER	BN1-BN2	1	1B2777 (021-908)	£35.15
CH4731	WATER PIPE - COPPER	BN4-BN4. ENG.40500	1	(363-245)	£21.65
CH4732	WATER PIPE - COPPER	BN4.ENG.40500- BJ8	1	AHB9249 (363-245)	£23.00
CH4735	P - CLIP - WATER PIPE - 1/2IN x 11/32IN	BN1-BN2	2	PCR811	£0.85
CH4750	RADIATOR UNIT - HEATER	BN1-BN2	1	14B2011 (635-435)	£297.15
CH4760	MOUNTING BRACKET - COLD AIR CONTROL	BN1-BN2	1	14B1977	£41.50
CH4770	CABLE & KNOB - FRESH AIR CONTROL	BN1-BN2	1	1B2753 (331-310)	£32.50
CH4771	CLAMP - FRESH AIR CABLE	BN1-BN2	1		£13.05
CH4790	HOSE - HEATER TO ENGINE	BN1-BJ8	1	14B7550	£6.40
CH4791	HOSE-HEATER TO ENGINE-SILICONE	BN4-BJ8	1 OR 2	14B7550	£31.50
CH4810	SPACER SET - HEATER SWITCH	BN4-BJ8	1	24B632 (322-215)	£7.45
CH4820	CONTROL CABLE - HEATER VALVE	BN4-BJ8	1	14B7777 (331-360)	£8.65

CH

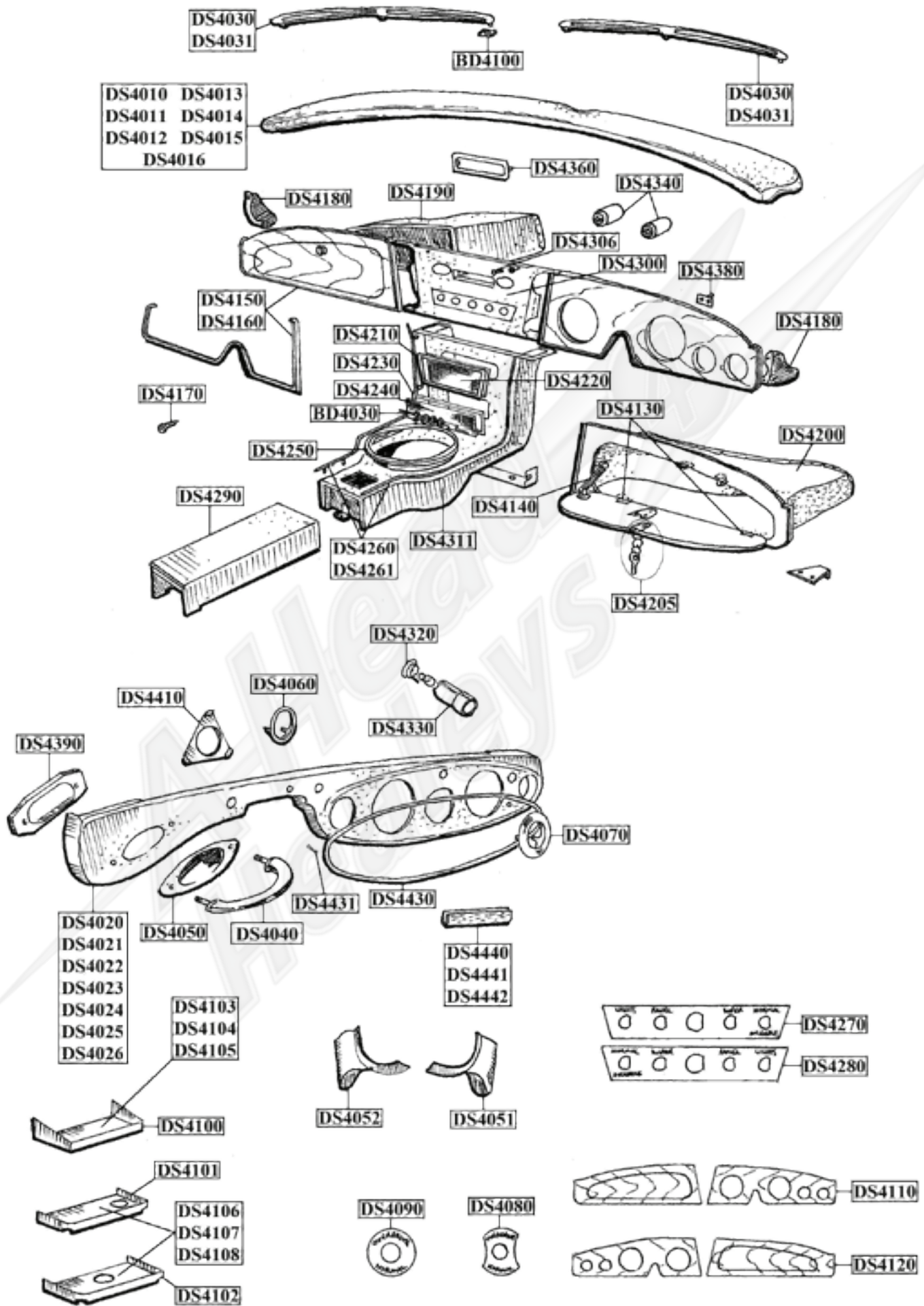
Cooling & Heating

PART No	DESCRIPTION	APPLICATION	QTY	NOTES	PRICE
CH4823	RADIATOR BRACKETS - PR (BOTTOM)	BN1-BN2	1	1B8755	£13.95
CH4824	RADIATOR BRACKET - FRONT (RH) TOP	BN1-BN2	1	4B1043 (C/W PROP BRKT)	£24.85
CH4825	RADIATOR BRACKET - FRONT (LH) TOP	BN1-BN2	1	14B1832	£17.50
CH4826	RADIATOR BRACKETS - PR (TO W/ARCH)	BN1-BN2	1	14B2522/23	£13.95
CH4830	RADIATOR BRACKETS - PAIR	BN4-BJ8	1	11B2118	£8.95
CH4870	ANTI FREEZE - 1 LITRE (CASTROL)	BN1-BJ8	AR		£4.30



Dashboard & Fittings

DS



Dashboard & Fittings

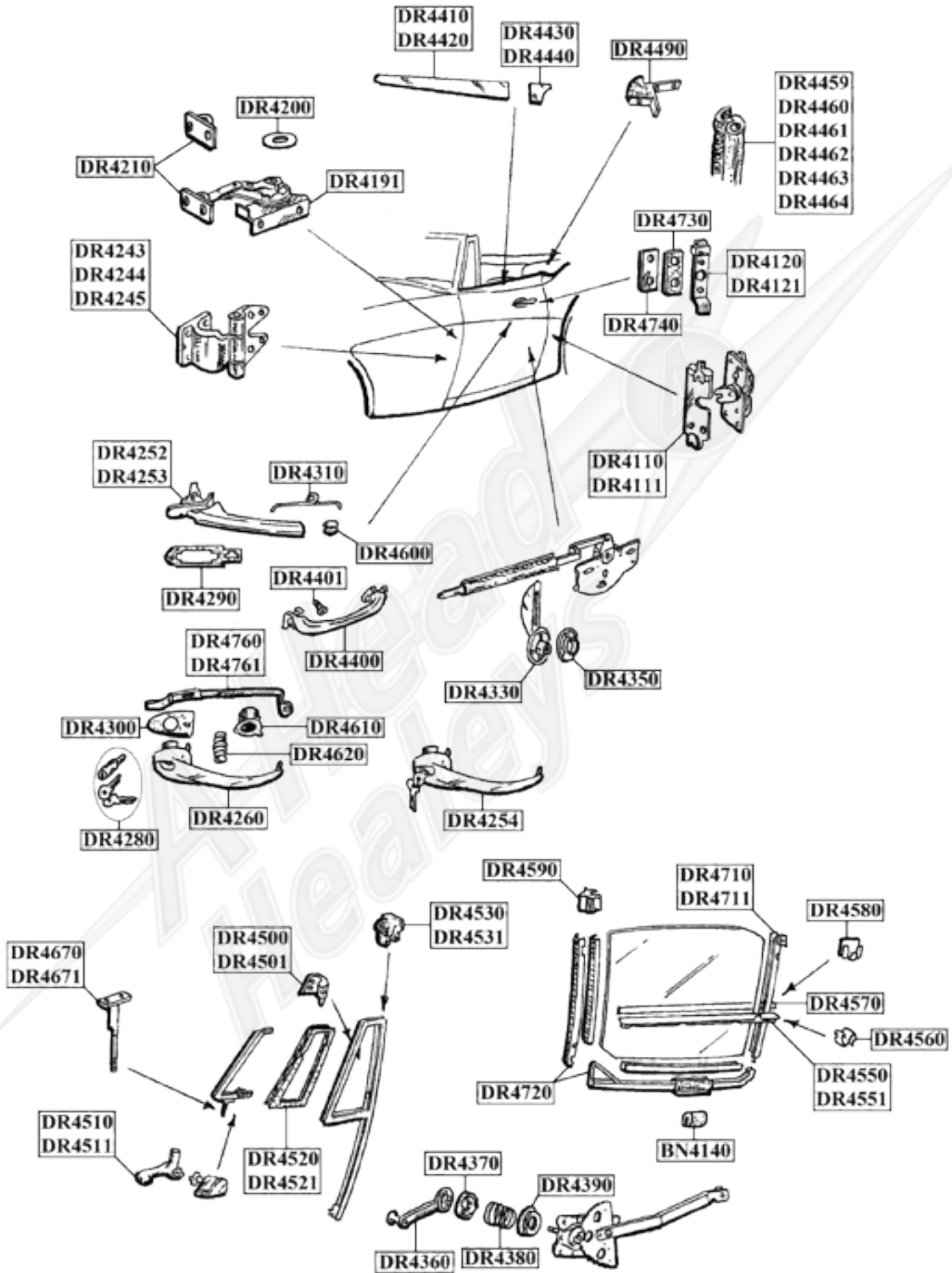
PART No	DESCRIPTION	APPLICATION	QTY	NOTES	PRICE
DS4010	DASH TOP ASSEMBLY - PADDED (BLACK)	BN4-BT7	1	AHB6061 (805-665)	£69.95
DS4011	DASH TOP ASSEMBLY - PADDED (BLUE)	BN4-BT7	1	(805-675)	£69.95
DS4012	DASH TOP ASSEMBLY - PADDED (RED)	BN4-BT7	1	(805-670)	£69.95
DS4013	DASH TOP ASSY - PADDED (BLACK)	BJ7-BJ8	1	AHB6333 (633-850)	£79.50
DS4014	DASH TOP ASSY - PADDED (BLUE)	BJ7-BJ8	1		£79.50
DS4015	DASH TOP ASSY - PADDED (RED)	BJ7-BJ8	1		£79.50
DS4016	DASH TOP - UNTRIMMED	BJ7-BJ8	1		£37.50
DS4017	DASH TOP - UNTRIMMED	BN4-BT7	1		£34.90
DS4020	DASHBOARD - ALUMINIUM (RHD) SWITCH HOLES MARKED, NOT DRILLED	BN1-BN2	1	14B5681	£320.17
DS4021	DASHBOARD - ALUMINIUM (LHD) SWITCH HOLES MARKED, NOT DRILLED	BN1-BN2	1	14B5681	£320.17
DS4022	DASHBOARD - ALUMINIUM (RHD)	BN4-BJ7	1	24B697	£155.00
DS4023	TRIMMED DASHBOARD - RHD (BLACK)	BN4-BJ7	1		£177.35
DS4024	TRIMMED DASHBOARD - RHD (BLUE)	BN4-BJ7	1		£177.35
DS4025	TRIMMED DASHBOARD - RHD (RED)	BN4-BJ7	1		£177.35
DS4026	DASHBOARD - ALUMINIUM (LHD)	BN4-BJ7	1	AHB9218 (633-635)	£155.00
DS4030	MASK ASSEMBLY - DEMISTER VENT	BN4-BJ8	2	4B8521 (635-550)	£10.95
DS4031	MASK ASSEMBLY - DEMISTER VENT (CHROME)	BN4-BJ8	2		£12.75
DS4040	GRAB HANDLE	BN1-BJ7	1	14B1729 (633-690)	£25.10
DS4050	ESCUTCHEON - GRAB HANDLE	BN1-BJ7	1	14B5775 (633-700)	£14.45
DS4051	MOUNTING BRACKET - DASH FACIA (RH)	BN4-BJ7	1		£37.50
DS4052	MOUNTING BRACKET - DASH FACIA (LH)	BN4-BJ7	1		£37.50
DS4060	ESCUTCHEON - STEERING COL. (ADJ)	BN4-BJ7	1	14B7805 (633-670)	£8.25
DS4070	ESCUTCHEON - STEERING COL. (NON-ADJ)	BN4-BJ7	1	24B725 (633-680)	£8.25
DS4080	ESCUTCHEON - OVERDRIVE (CHROME)	BN1	1	1B2809 (633-665)	£11.84
DS4090	ESCUTCHEON - OVERDRIVE (CHROME)	BN2-BJ7	1	1B9031 (633-660)	£11.28
DS4100	PARCEL SHELF - UNTRIMMED	BN1-BN2	1	4B2110 (856-450)	£27.05
DS4101	PARCEL SHELF - UNTRIMMED (RHD)	BN4-BJ7	1	AHB5435	£27.05
DS4102	PARCEL SHELF - UNTRIMMED (LHD)	BN4-BJ7	1	AHB5439 (856-470)	£27.05
DS4103	COVER ASSY - PARCEL SHELF (BLACK) - WOOL CARPET	BN1-BN2	1		£14.50
DS4104	COVER ASSY - PARCEL SHELF (BLUE) - WOOL CARPET	BN1-BN2	1		£14.50
DS4105	COVER ASSY - PARCEL SHELF (RED) - WOOL CARPET	BN1-BN2	1		£14.50
DS4106	COVER ASSY - PARCEL SHELF (BLACK) - WOOL CARPET	BN4-BJ7	1		£14.50
DS4107	COVER ASSY - PARCEL SHELF (BLUE) - WOOL CARPET	BN4-BJ7	1		£14.50
DS4108	COVER ASSY - PARCEL SHELF (RED) - WOOL CARPET	BN4-BJ7	1		£14.50
DS4110	DASHBOARD - WALNUT VENEERED - RHD	BJ8	1	8G8888 (633-675)	£180.75
DS4112	DASHBOARD - RALLY STYLE (RHD) - CRACKLE BLACK	BJ8	1	COM296	£499.50
DS4120	DASHBOARD - WALNUT VENEERED - LHD	BJ8	1	8G8889 (633-650)	£180.75
DS4130	HINGE - GLOVE BOX LID	BJ8	2	ADH5556 (633-730)	£9.75
DS4140	STAY ROD - GLOVE BOX LID	BJ8	1	ADB837 (633-750)	£20.00
DS4150	DASHBOARD SURROUND - RHD (PR)	BJ8	1	AHB6033	£71.45
DS4160	DASHBOARD SURROUND - LHD (PR)	BJ8	1	AHB6034 (633-778)	£71.45
DS4170	SCREW - SURROUND & HINGES	BJ8	20		£0.08

Dashboard & Fittings

DS

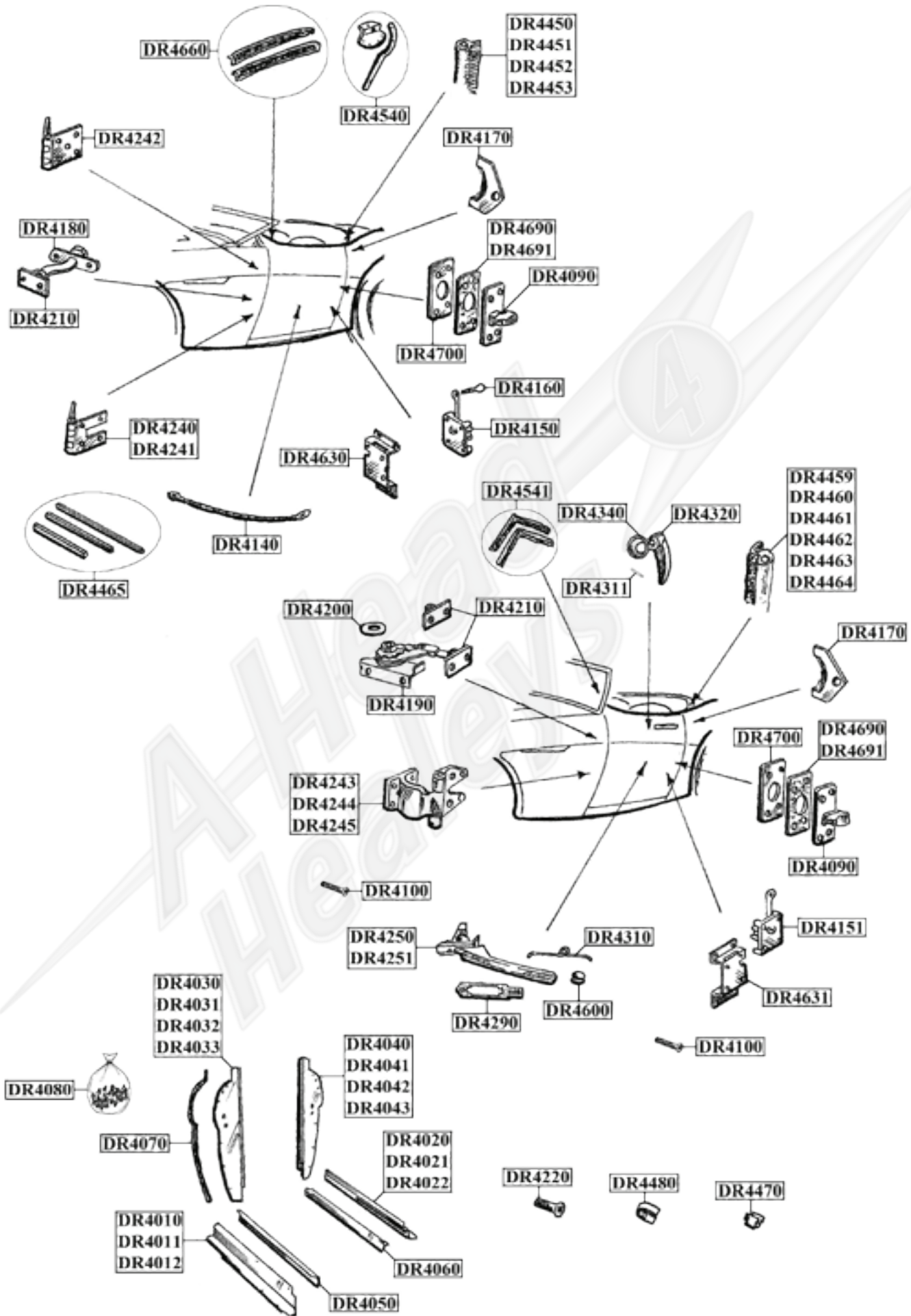
PART №	DESCRIPTION	APPLICATION	QTY	NOTES	PRICE
DS4180	DASHBOARD FIXING BRACKETS - PR	BJ8	1	AHB6035/6 (633-658)	£29.95
DS4190	GLOVE BOX - RHD	BJ8	1	AHB6050 (633-595)	£54.95
DS4200	GLOVE BOX - LHD	BJ8	1	AHB6049 (633-590)	£54.95
DS4205	LOCK - GLOVEBOX	BJ8	1	ALH1896 (633-740)	£195.00
DS4206	PLATE LOCK COVER	BJ8	1	AHB6047	£25.00
DS4207	STRIKER LOCK	BJ8	1	AHB6048	£15.00
DS4210	SPEAKER BEZEL	BJ8	1	AHB6229 (633-785)	£15.95
DS4220	SPEAKER FRET	BJ8	1	AHB6230 (633-795)	£8.67
DS4230	RADIO BEZEL	BJ8	1	AHH5255 (472-040)	£5.08
DS4240	RADIO BLANKING PLATE	BJ8	1	AHB6074 (633-780)	£8.90
DS4250	GEAR LEVER SURROUND	BJ8	1	AHB6073 (633-790)	£15.65
DS4260	CONSOLE FINISHER STRIPS (PR)	BJ8	1	AHB6948 (633-840/845)	£33.85
DS4261	CONSOLE FINISHER STRIPS (PR) - HINGED ARM-REST	BJ8	1		£31.19
DS4270	SWITCH ESCUTCHEON - RHD	BJ8	1	AHB6410	£19.85
DS4280	SWITCH ESCUTCHEON - LHD	BJ8	1	AHB6411 (633-800)	£22.45
DS4290	CENTRE CONSOLE - UNTRIMMED	BJ8	1	(633-860)	£73.95
DS4300	CENTRE PANEL - FASCIA	BJ8	1	AHB6061 (633-720)	£67.00
DS4306	SCREW (CHROME) DASH CENTRE PANEL	BJ8	2	PMP0310	£0.60
DS4311	CENTRE ARMREST - UNTRIMMED (NON-OPENING)	BJ8	1	(805-780)	£35.00
DS4320	BULB HOLDER - WARNING LIGHT	BN1-BJ7	1	2H4978 (142-710)	£8.45
DS4330	INDICATOR WARNING LIGHT ASSY	BN1-BJ7	1	3H2765 (142-350)	£13.95
DS4340	INDICATOR WARNING LIGHT ASSY	BJ8	2	27H2821 (142-260)	£20.05
DS4360	BEZEL - HEATER CONTROL PANEL	BJ8	1	AHB6788 (021-815)	£29.95
DS4380	BRACKET - DASHBOARD TO BODY	BJ8	2	ADG823 (633-715)	£5.70
DS4390	WOOD PACKING - GRAB HANDLE	BN4-BJ7	1	(633-695)	£5.95
DS4410	RETAINER - CHROME ESCUTCHEON	BN4-BJ7	1	AHB5406 (021-955)	£6.95
DS4430	SURROUND - INSTRUMENT PANEL	BN4-BJ7	1	14B6740 (633-870)	£48.55
DS4431	CLIP - DASH SURROUND	BN4-BJ7	15	14G5854	£0.35
DS4440	EDGE TRIM - DASHBOARD (BLACK)	BN1-BJ8	1	(249-807)	£9.50
DS4441	EDGE TRIM - DASHBOARD (BLUE)	BN1-BJ8	1	(249-837)	£12.40
DS4442	EDGE TRIM - DASHBOARD (RED)	BN1-BJ8	1	(249-817)	£12.40

Door Fittings



Door Fittings

DR



Door Fittings

PART No	DESCRIPTION	APPLICATION	QTY	NOTES	PRICE
DR4010	ALUMINIUM SILL COVER - RH	BN1-BN2	1	14B1757 (803-800)	£24.06
DR4011	ALUMINIUM SILL COVER - RH (LONGBRIDGE CARS)	BN4	1	AKH521 (802-775)	£25.75
DR4012	ALUMINIUM SILL COVER - RH	BN4-BJ8	1	14B6765	£24.17
DR4020	ALUMINIUM SILL COVER - LH	BN1-BN2	1	14B1758 (803-810)	£24.06
DR4021	ALUMINIUM SILL COVER - LH (LONGBRIDGE CARS)	BN4	1	AKH522 (802-785)	£25.75
DR4022	ALUMINIUM SILL COVER - LH	BN4-BJ8	1	14B6766	£24.17
DR4030	ALUMINIUM SHUT PILLAR COVER - RH	BN1-BN2	1	14B1755	£21.22
DR4031	ALUMINIUM SHUT PILLAR COVER - RH (LONGBRIDGE CARS)	BN4	1	14B6763 (802-775)	£25.75
DR4032	ALUMINIUM SHUT PILLAR COVER - RH	BN4-BT7	1	24B876	£21.22
DR4033	ALUMINIUM SHUT PILLAR COVER - RH	BJ7-BJ8	1		£21.22
DR4040	ALUMINIUM SHUT PILLAR COVER - LH	BN1-BN2	1	14B1756 (803-810)	£21.22
DR4041	ALUMINIUM SHUT PILLAR COVER - LH (LONGBRIDGE CARS)	BN4	1	14B6764 (802-785)	£25.75
DR4042	ALUMINIUM SHUT PILLAR COVER - LH	BN4-BT7	1	24B877	£21.22
DR4043	ALUMINIUM SHUT PILLAR COVER - LH	BJ7-BJ8	1	AHB9473	£21.22
DR4050	ALUMINIUM CARPET STRIP - RH	BN4-BJ8	1	24B880	£10.24
DR4060	ALUMINIUM CARPET STRIP - LH	BN4-BJ8	1	24B881	£10.24
DR4070	PIPING - SHUT PILLAR COVER (PR)	BN1-BJ8	1	(249-880)	£3.40
DR4071	PIPING - SHUT PILLAR COVER (PR) BLUE	BN1-BJ8	1		£3.40
DR4080	SCREW SET - ALUMINIUM (PER SIDE)	BN1-BJ8	2	54K6024 (725-175)	£0.99
DR4090	STRIKER ASSEMBLY - ON SHUT PILLAR	BN1-BT7	2	14B2841 (803-790)	£24.95
DR4100	SCREW - STRIKER PLATE	BN1-BT7	8	RMP312 (726-115)	£0.45
DR4110	PLATE - DOOR LOCK (RH)	BJ7-BJ8	1	AHB9532 (803-865)	£21.48
DR4111	PLATE - DOOR LOCK (LH)	BJ7-BJ8	1	AHB9533 (803-835)	£21.48
DR4120	STRIKER ASSEMBLY - ON SHUT PILLAR (RH)	BJ7-BJ8	1	AHB9541 (803-755)	£28.50
DR4121	STRIKER ASSEMBLY - ON SHUT PILLAR (LH)	BJ7-BJ8	1	AHB9542 (803-765)	£28.50
DR4140	CABLE - DOOR PULL	BN1-BN2	2	14B1938 (803-805)	£9.95
DR4150	LOCK ASSY - RH (IN DOOR)	BN1-BT7	1	14B7481 (803-825)	£26.00
DR4151	LOCK ASSY - LH (IN DOOR)	BN1-BT7	1	14B7482 (803-815)	£26.00
DR4152	DOOR REMOTE MECHANISM - RH (USED)	BN4-BT7	1	14B6822	£95.00
DR4153	DOOR REMOTE MECHANISM - LH (USED)	BN4-BT7	1	14B6823	£95.00
DR4154	DOOR REMOTE MECHANISM - RH (USED)	BJ7	1	AHB9437	£136.75
DR4155	DOOR REMOTE MECHANISM - LH (USED)	BJ7	1	AHB9438	£136.75
DR4156	DOOR REMOTE MECHANISM - RH (USED)	BJ8	1	AHB6389	£136.75
DR4157	DOOR REMOTE MECHANISM - LH (USED)	BJ8	1	AHB6390	£136.75
DR4160	KNOB - DOOR LOCK	BN1-BN2	2	14B1720 (803-795)	£12.75
DR4170	FINISHER PLATE - DOOR CATCH	BN1-BT7	2	14B2544 (805-180)	£3.50
DR4180	CHECK STRAP ASSY	BN1.5001-BN2	2	14B3733 (806-745)	£45.55
DR4190	CHECK STRAP ASSY - RH	BN4-BJ8	1	14B7554 (805-630)	£35.97
DR4191	CHECK STRAP ASSY - LH	BN4-BJ8	1	14B7555 (805-620)	£35.97
DR4200	FRICITION DISC - CHECK STRAP	BN4-BJ8	2	14B7565 (805-235)	£0.95
DR4210	CHROME SHOE - CHECK STRAP ASSEMBLY	BN4-BJ8	2	14B4466 (806-815)	£4.55
DR4220	HINGE SCREW	BN1-BJ8	16	CMZ516 (323-235)	£0.21
DR4240	DOOR HINGE - TOP & BOTTOM (RH - PR) - USED	BN1-BN1.B5000	1	14B1982 (806-740)	£50.00
DR4241	DOOR HINGE - TOP & BOTTOM (LH - PR) - USED	BN1-BN1.B5000	1	14B1983 (806-750)	£50.00
DR4242	DOOR HINGE (USED)	BN1.B5000-BN2	4	14B3729 (806-780)	£49.50

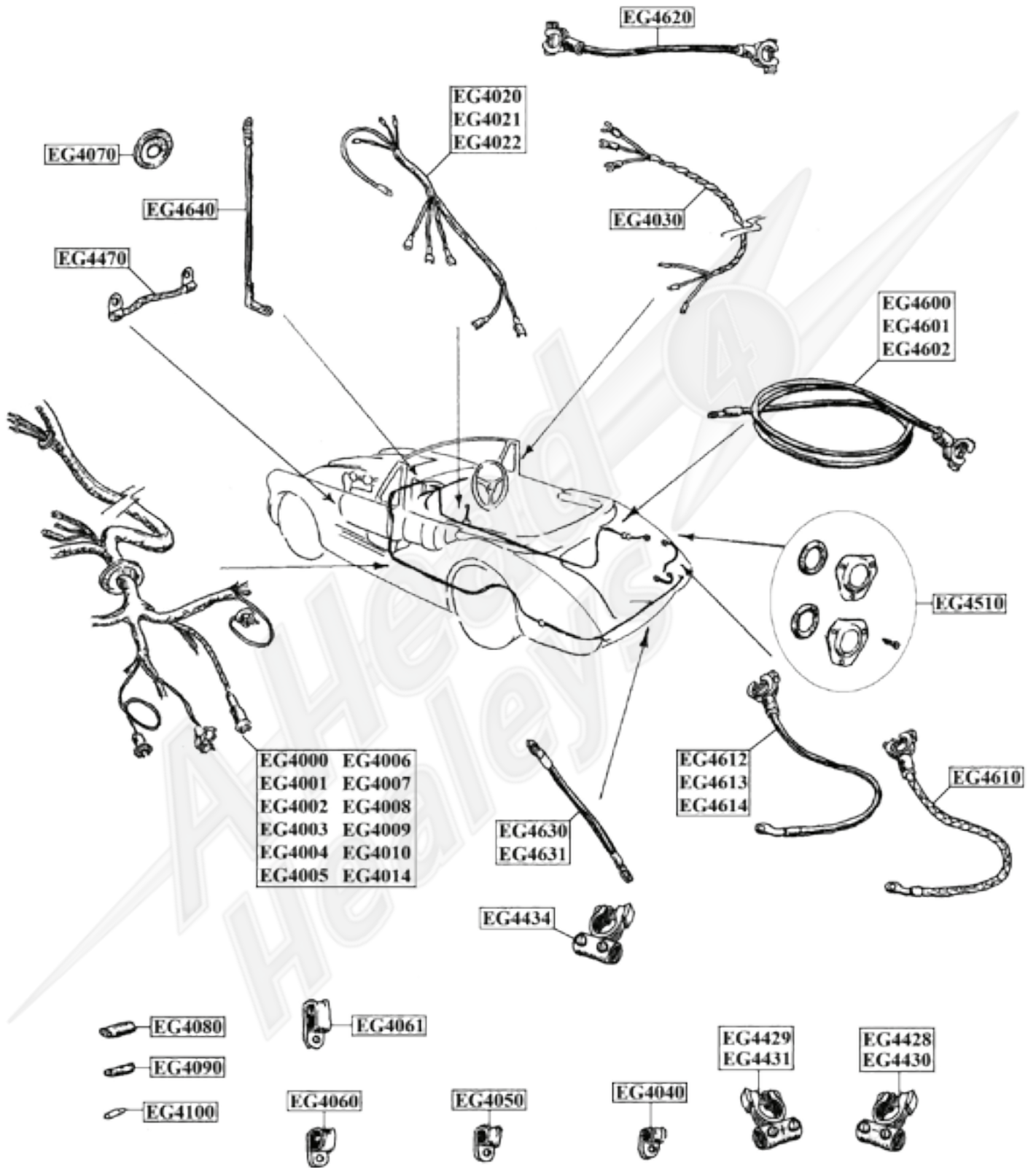
Door Fittings

PART №	DESCRIPTION	APPLICATION	QTY	NOTES	PRICE
DR4243	DOOR HINGE (USED)	BN4-BT7 (BJ7/8 LOWER)	2 OR 4	14B5896 (031-425)	£55.00
DR4244	DOOR HINGE - UPPER (USED)	BJ7-BJ8	1	AHB9439 (031-430)	£78.85
DR4246	SHIM - DOOR HINGE - 1MM	BN4-BJ8 (LOWER)	4	DRF158A	£2.47
DR4247	SHIM - DOOR HINGE - 1.5MM	BN4-BJ8 (LOWER)	4	DRF158B	£2.47
DR4248	SHIM - DOOR HINGE (UPPER) - 1MM	BJ7-BJ8	2	DRF158C	£1.82
DR4249	SHIM - DOOR HINGE (UPPER) - 1.5MM	BJ7-BJ8	2	DRF158D	£1.92
DR4250	DOOR HANDLE - EXTERIOR (RH)	BN4-BT7	1	24B612 (021-726)	£61.75
DR4251	DOOR HANDLE - EXTERIOR (LH)	BN4-BT7	1	24B613 (021-727)	£61.97
DR4252	DOOR HANDLE - EXTERIOR (RH)	BJ7-BJ8.26704	1	AHB9537 (021-728)	£46.49
DR4253	DOOR HANDLE - EXTERIOR (LH)	BJ7-BJ8.26704	1	AHB9538 (021-729)	£46.49
DR4254	DOOR HANDLE - EXTERIOR (COMPLETE)	BJ8.26705 ON	2	AHB6882	£77.25
DR4260	DOOR HANDLE - EXTERIOR (LESS KNOB)	BJ8.26705 ON	2	AHB6882 (021-730)	£35.75
DR4270	KNOB - DOOR HANDLE	BJ8.26705 ON	2	27H2864 (031-775)	£17.50
DR4280	BARREL LOCK & KEY - DOOR HANDLE	BJ8.26705 ON	2	27H2865 (805-250)	£14.35
DR4290	GASKET - DOOR HANDLE	BN4-BJ8.26704	2	14B9476 (698-110)	£1.20
DR4300	GASKET - DOOR HANDLE	BJ8.26705 ON	2	AHB6883 (698-115)	£0.95
DR4310	SPRING - DOOR HANDLE LEVER	BN4-BJ8.26704	2	(031-422)	£2.62
DR4311	PIN - HANDLE SECURING	BN4-BT7	2	ALH1527 (803-230)	£0.59
DR4320	DOOR HANDLE - INTERIOR	BN4-BT7	2	ADG1673 (803-900)	£11.35
DR4330	DOOR HANDLE - INTERIOR	BJ7-BJ8	2	14G3763 (031-316)	£12.29
DR4340	ESCUTCHEON - INTERIOR DOOR HANDLE	BN4-BT7	2	ADB709 (470-600)	£6.89
DR4350	ESCUTCHEON - INTERIOR DOOR HANDLE	BJ7-BJ8	2	14G3764 (805-660)	£7.89
DR4360	WINDOW WINDER HANDLE	BJ7-BJ8	2	14G6503 (031-318)	£22.75
DR4370	PLASTIC CROWN - WINDER HANDLE	BJ7-BJ8	2	14G6505 (805-650)	£2.99
DR4380	SPRING - WINDER HANDLE	BJ7-BJ8	2	14G6506 (031-320)	£1.70
DR4390	ESCUTCHEON - WINDER HANDLE	BJ7-BJ8	2	24G1233 (805-640)	£8.50
DR4394	WINDOW REGULATOR - RH (NEW)	BJ7-BJ8 25314	1	AHB9491	£135.00
DR4395	WINDOW REGULATOR - LH (NEW)	BJ7-BJ8 25314	1	AHB9492	£135.00
DR4396	WINDOW REGULATOR - RH (NEW)	BJ8 25315 ON	1	AHB6387	£135.00
DR4397	WINDOW REGULATOR - LH (NEW)	BJ8 25315 ON	1	AHB6388	£135.00
DR4400	PULL HANDLE - DOOR & HOOD	BJ7-BJ8	3	4B3479 (803-440)	£14.30
DR4401	SCREW - PULL HANDLE	BJ7-BJ8	6	54K3413	£0.19
DR4410	DOOR FINISHER - RH (CHROME)	BJ7-BJ8	1	AHB9569 (805-190)	£57.50
DR4420	DOOR FINISHER - LH (CHROME)	BJ7-BJ8	1	AHB9570 (805-200)	£57.50
DR4430	REAR SHROUD FINISHER - RH (CHROME)	BJ7-BJ8	1	AHB9571 (805-210)	£24.00
DR4440	REAR SHROUD FINISHER - LH (CHROME)	BJ7-BJ8	1	AHB9572 (805-220)	£24.00
DR4450	DRAUGHT EXCLUDER - CAR SET (BLACK)	BN1-BN2	1	(249-760)	£15.75
DR4451	DRAUGHT EXCLUDER - CAR SET (BLUE)	BN1-BN2	1	(249-780)	£13.95
DR4452	DRAUGHT EXCLUDER - CAR SET (RED)	BN1-BN2	1	(249-770)	£13.95
DR4453	DRAUGHT EXCLUDER - CAR SET (GREEN)	BN1-BN2	1	(249-820)	£25.90
DR4459	DRAUGHT EXCLUDER - CAR SET (NON FURFLEX ALT.)	BN4-BJ8	1		£30.25
DR4460	DRAUGHT EXCLUDER - CAR SET (BLACK)	BN4-BJ8	1	37H9955 (249-609)	£35.95
DR4461	DRAUGHT EXCLUDER - CAR SET (BLUE)	BN4-BJ8	1	37H9957 (249-857)	£37.25
DR4462	DRAUGHT EXCLUDER - CAR SET (RED)	BN4-BJ8	1	37H9956 (249-695)	£33.25
DR4463	DRAUGHT EXCLUDER - CAR SET (GREEN)	BN4-BJ8	1		£26.95
DR4464	DRAUGHT EXCLUDER - LONGBRIDGE	BN4	1	14B7637/8	£134.38

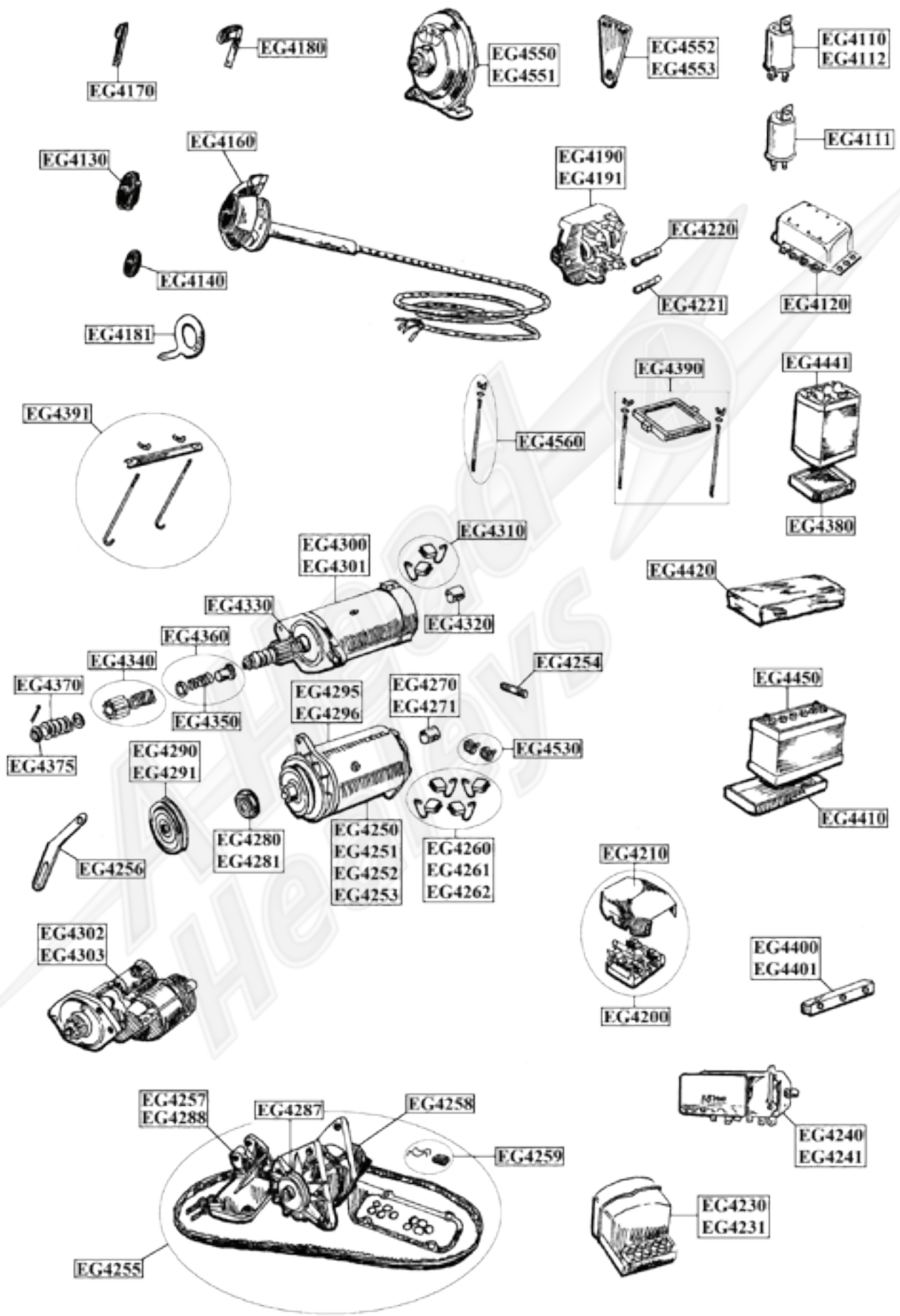
DR

Door Fittings

PART №	DESCRIPTION	APPLICATION	QTY	NOTES	PRICE
DR4465	RETAINING TRACK - DOOR SEAL (LONGBRIDGE CARS)	BN4	1	14B7644	£119.97
DR4470	RETAINING CLIP - DRAUGHT EXCLUDER	BN4-BJ8	40	13H4014 (326-175)	£0.63
DR4480	FINISHER CLIP - DRAUGHT EXCLUDER	BN4-BJ8	2	AHB9656 (240-530)	£1.85
DR4490	TOP SEAL ASSEMBLY - SHUT PILLAR (PR)	BJ7-BJ8	1	AHB9930 (803-875/885)	£13.95
DR4496	QUARTER LIGHT FRAME - RH (USED)	BJ7-BJ8	1	AHB9893, AHB9481, 17H2837	£245.00
DR4497	QUARTER LIGHT FRAME - LH (USED)	BJ7-BJ8	1	AHB9894, AHB9482, 17H2838	£245.00
DR4500	QUARTER LIGHT TOP PIVOT - RH	BJ7-BJ8	1	17H2839 (803-925)	£19.95
DR4501	QUARTER LIGHT TOP PIVOT - LH	BJ7-BJ8	1	17H2840 (803-935)	£19.95
DR4502	SCREW - QUARTER LIGHT PIVOT	BJ7-BJ8	4	RMP0206	£0.45
DR4510	LOCKING QUARTER LIGHT HANDLE - RH	BJ7-BJ8	1	17H2846 (803-845)	£25.65
DR4511	LOCKING QUARTER LIGHT HANDLE - LH	BJ7-BJ8	1	17H2847 (803-855)	£25.65
DR4514	WASHER - ANTI RATTLE (QUARTER LIGHT HANDLE)	BJ7-BJ8	2	USE BN4314	
DR4520	QUARTER LIGHT SURROUND RUBBER - RH	BJ7-BJ8	1	17H2854 (682-090)	£10.75
DR4521	QUARTER LIGHT SURROUND RUBBER - LH	BJ7-BJ8	1	17H2855 (682-100)	£10.75
DR4530	QUARTER LIGHT RUBBER BUFFER - RH	BJ7-BJ8	1	AHB9951 (681-008)	£1.95
DR4531	QUARTER LIGHT RUBBER BUFFER - LH	BJ7-BJ8	1	AHB9954 (681-008)	£1.95
DR4540	SCUTTLE SEAL - DOOR TO SEAL (PR)	BN2	1	14B5494 (806-785)	£41.74
DR4541	SCUTTLE SEAL - DOOR TO SEAL (PR)	BN4-BT7	1	24B690 (680-928)	£25.71
DR4550	RUBBER SEAL - DOOR WINDOW (RH)	BJ7-BJ8	1	AHH6348 (282-390)	£3.75
DR4551	RUBBER SEAL - DOOR WINDOW (LH)	BJ7-BJ8	1	AHH6349 (282-380)	£3.75
DR4560	CLIP FOR DOOR WINDOW SEAL	BJ7-BJ8	14	BHA4359 (326-175)	£0.26
DR4570	BRUSH SEAL - DOOR TO WINDOW	BJ7-BJ8	2	AHB9520 (682-030)	£2.45
DR4580	CLIP FOR BRUSH SEAL	BJ7-BJ8	10	BHA4340 (803-410)	£0.15
DR4590	NYLON WINDOW RUNNER	BJ7-BJ8	6	AHB9499 (021-780)	£1.25
DR4600	DOOR HANDLE BUFFER - RUBBER	BN4-BJ8.26704	2	2H8041 (011-735)	£0.39
DR4610	RETAINER CUP - LOCK BARREL	BJ8	2	27H2870 (031-776)	£15.50
DR4620	SPRING - DOOR HANDLE BUTTON	BJ8	2	27H2869 (021-348)	£3.10
DR4630	HOUSING BRACKET - DOOR LOCK (RH)	BN4-BT7	1	14B7483 (031-420)	£22.95
DR4631	HOUSING BRACKET - DOOR LOCK (LH)	BN4-BT7	1	14B7484 (031-421)	£22.95
DR4660	BRACKET SET - SCUTTLE SEAL	BN1-BN2	1	14B5496/9 (805-185)	£19.55
DR4670	QUARTER LIGHT PIVOT PIN	BJ7-BJ8	2	17H2848/9 (031-762)	£17.25
DR4690	PACKING PLATE - STRIKER (1.2MM)	BN1-BT7	AR	14B2842 (805-195)	£2.95
DR4691	PACKING PLATE - STRIKER (5MM)	BN1-BT7	AR	(805-195)	£7.79
DR4700	TAPPED PLATE - DOOR STRIKER	BN1-BT7	2	(805-155)	£6.28
DR4710	REAR GLASS CHANNEL - RH	BJ7-BJ8	1	AHB9524	£34.65
DR4711	REAR GLASS CHANNEL - LH	BJ7-BJ8	1	AHB9525	£34.65
DR4713	GLASS CHANNEL ASSY (REAR) 2ND HAND	BJ8	2		£15.00
DR4720	GLASS CHANNEL ASSEMBLY SET (NOT HANDED)	BJ7-BJ8	2		£32.50
DR4721	REAR GLASS CHANNEL - RH (2ND HAND)	BJ8	2		£30.00
DR4725	GLAZING STRIP - DOOR GLASS (PER SIDE)	BJ7-BJ8	2	AHB9521 (680-307)	£2.98
DR4730	PACKING PLATE - DOOR STRIKER	BJ7-BJ8	AR	AHB9470 (021-347)	£3.50
DR4740	TAPPED PLATE - DOOR STRIKER	BJ7-BJ8	2	AHB9471 (021-349)	£4.75
DR4760	CONTACTOR - DOOR LOCK (RH)	BJ8	1	AHB7105 (804-015)	£18.00
DR4761	CONTACTOR - DOOR LOCK (LH)	BJ8	1	AHB7106 (804-005)	£18.00
DR4820	SPIRE NUT - QUARTER LIGHT & LOCK MECHANISM	BJ7-BJ8	8	53K3039	£1.30
DR4821	SCREW - Q/LIGHT & LOCK SPIRE NUT	BJ7-BJ8	8	PJZ1004	£0.10



Electrical - General



Electrical - General

PART №	DESCRIPTION	APPLICATION	QTY	NOTES	PRICE
EG4000	WIRING HARNESS - COTTON/PVC	BN1	1	AHY3C (356-310)	£132.50
EG4001	WIRING HARNESS - COTTON/PVC	BN2	1	AHY14C (356-320)	£139.55
EG4002	WIRING HARNESS - COTTON/PVC	BN4	1	AHY2C (356-330)	£157.45
EG4003	WIRING HARNESS - COTTON/PVC	BN6-BJ7	1	AHY6C (356-340)	£157.45
EG4004	WIRING HARNESS - COTTON/PVC	BJ8-BJ8.31336	1	AHY12C (356-345)	£157.45
EG4005	WIRING HARNESS - COTTON/PVC	BJ8.31337 ON	1	AHY9C (356-355)	£157.45
EG4006	WIRING HARNESS - COTTON BRAIDED	BN1	1	AHY3C (357-170)	£178.75
EG4007	WIRING HARNESS - COTTON BRAIDED	BN2	1	AHY14C (357-180)	£163.50
EG4008	WIRING HARNESS - COTTON BRAIDED	100S	1		£216.70
EG4009	WIRING HARNESS - COTTON BRAIDED	BN4	1	AHY2C (357-185)	£178.85
EG4010	WIRING HARNESS - COTTON BRAIDED	BN6,BN7 & BT7	1	AHY6C (357-190)	£174.95
EG4011	WIRING HARNESS - COTTON PVC ALT FITTING	BJ8.31337 ON	1		£210.40
EG4013	HARNESS - MAIN FRONT TO REAR - COTTON/COTTON	BN4-BN6	1		£53.95
EG4014	HARNESS - MAIN FRONT TO REAR - COTTON/PVC	BN4-BJ8	1		£53.95
EG4017	SPOT & FOG LAMP WIRING KIT	BN1-BJ8	1		£59.15
EG4020	OVERDRIVE HARNESS - COTTON COVERED	BN1	1	(356-395)	£18.40
EG4021	OVERDRIVE HARNESS - COTTON COVERED	BN2-BJ7	1	(356-425)	£18.32
EG4022	OVERDRIVE HARNESS - COTTON COVERED	BJ8	1	(356-420)	£15.55
EG4030	WIRING HARNESS - STEERING COLUMN	BN1-BJ8	1	17H5259 (356-410)	£17.75
EG4040	CLIP - WIRING HARNESS (SMALL)	BN1-BJ8	AR	PCR407 (470-380)	£0.49
EG4050	CLIP - WIRING HARNESS (MEDIUM)	BN1-BJ8	AR	PCR507 (162-250)	£0.54
EG4060	CLIP - WIRING HARNESS (LARGE)	BN1-BJ8	AR	PCR607 (162-280)	£0.34
EG4061	CLIP - WIRING HARNESS (FOR MAIN HARNESS)	BN1-BJ8	AR	11K9095 (162-345)	£1.15
EG4070	GROMMET - WIRING HARNESS	BN1-BJ8	1	2H2065 (682-205)	£1.85
EG4080	SINGLE CONNECTOR	BN1-BJ8	AR	(162-000)	£0.15
EG4090	DOUBLE CONNECTOR	BN1-BJ8	AR	(162-600)	£0.20
EG4100	BULLET - WIRING CONNECTOR	BN1-BJ8	AR	2H2704 (162-200)	£0.18
EG4101	WIRING EYELET - DYNAMO POST (3/16IN)	BN1-BN2	1	17H5287	£0.45
EG4102	WIRING EYELET - DYNAMO POST (5/16IN)	BN1-BN2	1	2H4528	£0.45
EG4105	LUCAR SPADE CONNECTOR - 1/4IN	BN1-BJ8	AR	RTC220A	£0.20
EG4106	SLEEVE - CLEAR PLASTIC (LUCAR)	BN1-BJ8	AR	511269	£0.20
EG4110	FLASHER UNIT - SCREW TERMINALS	BN1-BJ7	1	GFU2101 (141-750)	£6.50
EG4111	FLASHER UNIT - PUSH ON CONNECTOR	BJ8	1	GFU2103 (171-300)	£3.90
EG4112	FLASHER UNIT - ORIG. LUCAS (SCREW TERMINAL)	BN1-BJ7	1	GFU2101 (141-750)	£27.50
EG4113	FLASHER UNIT - ORIG. LUCAS (PUSH ON CONNECTOR)	BJ8	1	GFU2103	£40.65
EG4120	FLASHER RELAY	BN1-BJ8(B)76137	1	3H1454 (141-400)	£66.95
EG4130	HORN BUTTON & PLATE - NON ADJ.	BN4-BJ8	1	47H5245 (021-249)	£42.00
EG4140	HORN & INDICATOR ASSEMBLY - ADJ.	BN4-BJ8	1	1B6303 (853-810)	£197.50
EG4160	HORN BUTTON - ADJ. COLUMN	BN4-BJ8	1	47H5011	£19.75
EG4170	TRAFFICATOR LEVER - BLACK (EARLY)	BN1	1	(021-242)	£16.95
EG4180	TRAFFICATOR LEVER - CHROME (ADJ. ONLY)	BN4-BJ8	1	27H5556	£19.95
EG4181	SELF - CANCELLING LEVER (NON-ADJ.)	BN1-BJ8	1	2H2635	£23.45
EG4190	FUSE BOX	BN1-BJ7	1	3H1910 (162-500)	£25.95
EG4191	FUSE BOX - ORIG. LUCAS	BN1-BJ7	1	3H1910 (162-500)	£36.15
EG4200	FUSE BOX - ORIG. LUCAS	BJ8	1	13H252 (560-100)	£10.15
EG4210	COVER - FUSE BOX	BJ8	1	47H5212 (560-110)	£2.19

EG

Electrical - General

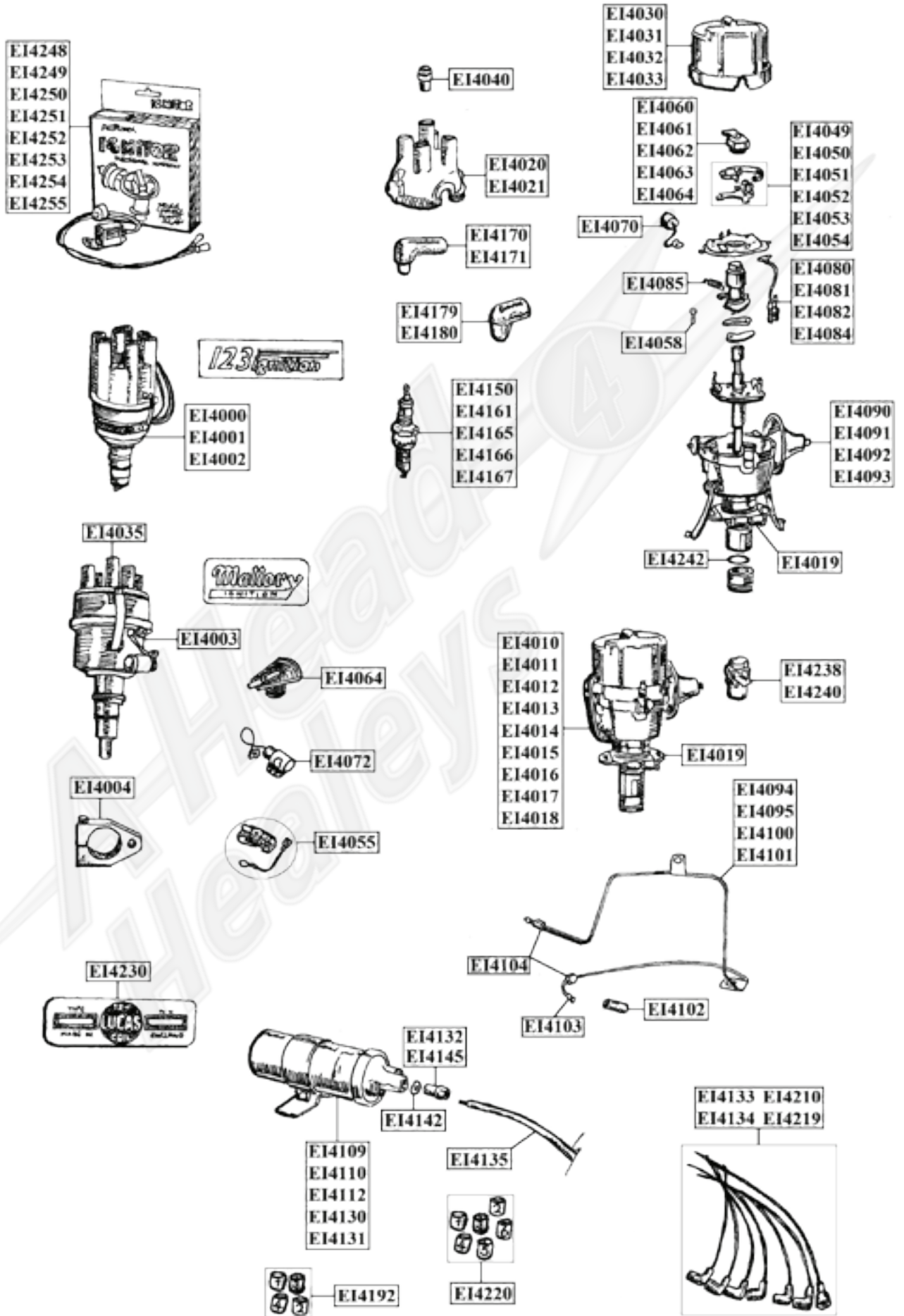
PART No	DESCRIPTION	APPLICATION	QTY	NOTES	PRICE
EG4220	FUSE - 35 AMP	BN1-BJ8	AR	7G5067 (146-700)	£0.19
EG4221	FUSE - 50 AMP	BN1-BJ8	AR	7H5540 (146-800)	£0.25
EG4230	VOLTAGE CONTROL BOX	BN1-BJ7	1	3H1836 (142-000)	£23.39
EG4231	VOLTAGE CONTROL BOX - ORIG. LUCAS	BN1-BJ7	1	3H1836 (142-000)	£68.55
EG4232	VOLTAGE CONTROL BOX - WITH FUSE	BN1-BJ7	1	FOR ALTERNATOR CONVERSION	£50.45
EG4240	VOLTAGE CONTROL BOX	BJ8	1	BCA4663 (142-050)	£21.30
EG4241	VOLTAGE CONTROL BOX - ORIG. LUCAS	BJ8	1	BCA4663 (142-050)	£56.10
EG4242	VOLTAGE CONTROL BOX - WITH FUSE	BJ8	1	FOR ALTERNATOR CONVERSION	£50.45
EG4248	DYNAMO - OUTRIGHT SALE	100S	1		£199.95
EG4250	DYNAMO - REBUILT (EXCH.) NO COIL R/W (3 MONTH WARR.)	BN1-BJ7	1	AEJ22 (540-370)	£158.23
EG4251	DYNAMO - REBUILT (COIL R/W) 12 MONTH WARR.	BN1-BJ7	1	AEJ22 (540-370)	£324.79
EG4252	DYNAMO - REBUILT (EXCH.) NO COIL R/W (3 MONTH WARR.)	BJ8	1	17D121 (540-380)	£158.23
EG4253	DYNAMO - REBUILT (COIL R/W) 12 MONTH WARR.	BJ8	1	17D121 (540-380)	£274.83
EG4254	STUD - DYNAMO BRACKET	BN1-BN2	4	CELG172S	£1.14
EG4255	ALTERNATOR KIT - 45 AMP (NEG. EARTH)	BN4-BJ8	1		£132.50
EG4256	ADJ. STRAP - ALTERNATOR - NYLON	BN4-BJ8	1	CELG172S	£13.60
EG4257	ALTERNATOR BRACKET - ALUMINIUM	BN4-BJ8	1		£67.50
EG4258	ALTERNATOR - 45 AMP	BN4-BJ8	1		£57.85
EG4259	CONNECTOR PLUG - ALTERNATOR WIRING	BN4-BJ8	1		£6.50
EG4260	DYNAMO BRUSH SET	BN1-BN6	1	7H5016 (872-470)	£4.50
EG4261	DYNAMO BRUSH SET	BN7&BT7-BJ7	1	37H2472 (011-264)	£3.95
EG4262	DYNAMO BRUSH SET	BJ8	1	57H5427 (873-665)	£3.95
EG4270	DYNAMO BUSH - COMMUTATOR END	BN1-BJ7	1	17H5434 (330-050)	£1.45
EG4271	DYNAMO BUSH - COMMUTATOR END	BJ8	1	57H5429 (873-625)	£2.15
EG4280	DYNAMO BEARING - DRIVE END	BN1-BJ7	1	7H5021 (125-200)	£6.25
EG4281	DYNAMO BEARING - DRIVE END	BJ8	1	97H626	£5.35
EG4283	SPADE CONNECTOR - DYNAMO (LARGE)	BN4-BJ8.26704	1		£0.55
EG4284	PLASTIC SLEEVE - SPADE CONNECTOR (LARGE)	BN4-BJ8	1		£0.40
EG4285	SPADE CONNECTOR - DYNAMO (SMALL)	BN4-BJ8	1		£0.45
EG4286	PLASTIC SLEEVE - SPADE CONNECTOR (SMALL)	BN4-BJ8	1		£0.30
EG4287	ALTERNATOR PULLEY	BN1-BN2	1		£46.95
EG4288	ALTERNATOR BRACKET - ALUMINIUM	BN1-BN2	1	ELG172A	£59.50
EG4289	INTEGRAL FAN AND PULLEY - DYNAMO (CAST)	BN1-BJ7	1	CELG187 (C45)	£59.64
EG4290	DYNAMO PULLEY	BN1-BN2	1	1B1727 (031-402)	£29.20
EG4291	DYNAMO PULLEY (1/2IN)	BJ8	1	12B701 (031-304)	£26.25
EG4292	INTEGRAL FAN AND PULLEY - DYNAMO (CAST)	BN1-BN2	1	CELG186	£66.79
EG4293	ALTERNATOR - 80 AMP	BN4-BJ8	1		£66.95
EG4294	ALTERNATOR KIT - 80 AMP (NEG. EARTH)	BN4-BJ8	1		£145.95
EG4295	DYNALITE - ALTERNATOR (NEG. EARTH)	BN1-BJ7	1	DYNAMO BODY	£445.75
EG4296	DYNALITE - ALTERNATOR (NEG. EARTH)	BJ8	1	DYNAMO BODY	£445.75
EG4297	DYNALITE - ALTERNATOR (POSITIVE EARTH)	BN1-BJ7	1	DYNAMO BODY	£547.50
EG4300	STARTER MOTOR - REBUILT (EXCHANGE)	BN1-BJ8	1	13H837 (540-410)	£148.50
EG4301	STARTER MOTOR - REBUILT (OUTRIGHT SALE)	BN1-BJ8	1	13H837 (540-410)	£160.00
EG4302	GEAR REDUCTION STARTER MOTOR	BN1-BJ8	1	(540-420)	£152.25
EG4303	GEAR REDUCTION STARTER MOTOR - THIN RING GEAR	BN1-BJ8	1		£159.50

Electrical - General

PART №	DESCRIPTION	APPLICATION	QTY	NOTES	PRICE
EG4310	STARTER BRUSH SET	BN1-BJ8	1	7H5002 (149-600)	£3.50
EG4320	STARTER BUSH - COMMUTATOR END	BN1-BJ8	1	7H5004 (149-400)	£2.75
EG4330	STARTER BUSH - DRIVE END	BN1-BJ8	1	7H5011 (150-300)	£2.52
EG4340	STARTER PINION	BN1-BJ8	1	7H5008 (149-500)	£30.28
EG4350	STARTER SPRING	BN1-BJ8	1	7H5009	£1.40
EG4360	STARTER SPRING - RETURN & TUBE ETC.	BN1-BJ8	1	(149-710)	£32.95
EG4370	STARTER SPRING - PINION MAIN	BN1-BJ8	1	7H5007 (150-400)	£6.38
EG4375	NUT - ARMATURE - STARTER	BN1-BJ8	1	7H5006 (149-900)	£13.75
EG4380	BATTERY TRAY - 6 VOLT	BN1-BN2 & BN6-BN7	2	24B747 (806-430)	£16.75
EG4390	BATTERY CLAMP ASSY. - NON-ORIG.	BN1-BN2 & BN6-BN7	2		£22.69
EG4391	BATTERY CLAMP ASSY.	BN4,BT7,BJ7&BJ8	1	14G5509 (031-769)	£6.95
EG4400	BATTERY SUPPORT - WOOD (33 X 7.5 X 5)	BN1-BJ8	AR	(031-411)	£10.85
EG4401	BATTERY SUPPORT - WOOD (33 X 3 X 2)	BN1-BJ8	AR	(031-411)	£4.90
EG4410	BATTERY TRAY - 12 VOLT	BN4,BT7,BJ7&BJ8	1	14G1702 (031-308)	£16.75
EG4420	BATTERY COVER	BN4,BT7,BJ7&BJ8	1	14B8816 (031-311)	£7.39
EG4428	CLAMP - BATTERY (ORIGINAL TOP HAT) - NEG	BN1-BJ8	1		£26.25
EG4429	CLAMP - BATTERY (ORIGINAL TOP HAT) - POS	BN1-BJ8	1		£26.25
EG4430	TERMINAL - NEGATIVE	BN1-BJ8	AR		£3.92
EG4431	TERMINAL - POSITIVE	BN1-BJ8	AR		£3.92
EG4434	BATTERY CLAMP - BRASS (ISOLATOR SWITCH)	BN1-BJ8	AR		£5.95
EG4441	BATTERY - 6 VOLT - 13 PLATE - HEAVY DUTY (WITH-OUT LUGS)	BN1-BN2 & BN6-BN7	2	2F3198 (459-415)	£71.95
EG4450	BATTERY - 12 VOLT - 13 PLATE - HEAVY DUTY	BN4,BT7,BJ7&BJ8	1	(459-400)	£192.50
EG4470	CABLE - ENGINE EARTH	BN1-BJ8	1	2K6167 (736-220)	£4.95
EG4510	RETAINING CAP & GROMMET - CABLE	BN4-BJ8	2	AAA1891 (680-295)	£13.52
EG4530	TENSION SPRING - DYNAMO BRUSH (PR)	BN1-BJ7	1	47H5415 (549-020)	£3.25
EG4550	HORN - LOW NOTE	BN1-BJ8	1	BHA4514	£22.50
EG4551	HORN - HIGH NOTE	BN1-BJ8	1	BHA4515 (545-030)	£22.50
EG4552	MOUNTING BRACKET - ORIGINAL HORN	BN1-BT7	2		£23.98
EG4553	MOUNTING BRACKET - HORN	BJ7-BJ8	2	57H5309	£4.95
EG4560	BATTERY ROD - WITH WING NUT (ORIG. BATTERY)	BN1-BN2 & BN6-BN7	4	(807-015)	£2.60
EG4600	CABLE - BATTERY TO SOLENOID (NEG.)	BN1-BN2 & BN6-BN7	1	1B2800 (736-190)	£15.65
EG4601	CABLE - BATTERY TO SOLENOID (NEG.) - FOR POS EARTH	BN4,BT7,BJ7&BJ8	1	1B2800 (736-200)	£23.65
EG4602	CABLE - BATTERY TO SOLENOID (POS.) - NEG EARTH	BN4,BT7,BJ7&BJ8	1	1B9080	£30.29
EG4610	CABLE - BATTERY TO M/SWITCH	BN1-BN2	1	1B2802 (736-140)	£12.72
EG4612	CABLE - BATTERY TO M/SWITCH (POS EARTH)	BN6&BN7	1	AHB8288 (332-010)	£8.35
EG4613	CABLE - BATTERY TO M/SWITCH (POS EARTH)	BN4,BT7,BJ7&BJ8	1	27H5578 (736-180)	£7.65
EG4614	CABLE - BATTERY TO M/SWITCH (NEG EARTH)	BN4-BJ8	1		£7.50
EG4620	CABLE - BATTERY LINK	BN1-BN2 & BN6-BN7	1	AHB8289 (736-130)	£10.95
EG4630	CABLE - MASTER SWITCH TO EARTH	BN1-BN2	1	1B2803 (736-230)	£4.15
EG4631	CABLE - MASTER SWITCH TO EARTH	BN4-BJ8	1	1B9078 (736-240)	£3.90
EG4640	CABLE - SOLENOID TO STARTER	BN1-BJ8	1	1B2801 (332-140)	£3.95
EG4640	CABLE - SOLENOID TO STARTER	BN1-BJ8	1	1B2801 (332-140)	£3.95

EG

Electrical - Ignition



Electrical - Ignition

PART No	DESCRIPTION	APPLICATION	QTY	NOTES	PRICE
EI4000	DISTRIBUTOR - ELECTRONIC '123' IGNITION	BN1-BN2	1		£267.38
EI4001	DISTRIBUTOR - ELECTRONIC '123' IGNITION	BN4-BJ7	1		£331.50
EI4002	DISTRIBUTOR - ELECTRONIC '123' IGNITION	BJ8	1	POS & NEG	£331.50
EI4003	DISTRIBUTOR - MALLORY	BN1-BN2	1	CELI101M	£239.95
EI4004	CLAMP - DISTRIBUTOR (MALLORY)	BN1-BN2	1	CELI104CL	£25.50
EI4005	DISTRIBUTOR - MALLORY	BN4-BJ8	1	CELI102M	£253.95
EI4009	DISTRIBUTOR - REBUILT (OUTRIGHT)	100S	1		£245.00
EI4010	DISTRIBUTOR - REBUILT (OUTRIGHT)	BN1-BN2	1	(143-025)	£133.65
EI4011	DISTRIBUTOR - REBUILT (OUTRIGHT) LE MANS	100M	1	(143-045)	£299.50
EI4012	DISTRIBUTOR - REBUILT (OUTRIGHT) NON-ORIG.	BN4-BJ7	1	AEC825 (143-060)	£168.30
EI4013	DISTRIBUTOR - REBUILT (OUTRIGHT) ORIG. BODY	BN4-BJ7	1	(143-050)	£225.00
EI4014	DISTRIBUTOR - REBUILT (OUTRIGHT)	BJ8	1	12B823 (143-070)	£195.95
EI4015	DISTRIBUTOR - RECON. (EXCH. ONLY)	BN1-BN2	1	(143-035)	£225.00
EI4016	DISTRIBUTOR - RECON. (EXCH. ONLY) LE MANS	100M	1	(143-065)	£225.00
EI4017	DISTRIBUTOR - RECON. (EXCH. ONLY)	BN4-BJ7	1	AEC825 (143-050)	£299.50
EI4018	DISTRIBUTOR - RECON. (EXCH. ONLY)	BJ8	1	12B823 (143-070)	£229.50
EI4019	CLAMP & BOLT ASSEMBLY - DISTRIBUTOR	BN1-BJ8	1	17H5437 (081-021)	£14.10
EI4020	CAP - DISTRIBUTOR	BN1-BN2	1	17H5102	£4.50
EI4021	CAP - DISTRIBUTOR (SCREW IN LEADS)	BN1-BN2	1	17H5102 (874-095)	£12.35
EI4030	CAP - DISTRIBUTOR	BN4-BJ7(E)29F3562	1	GDC106 (872-802)	£23.15
EI4031	CAP - DISTRIBUTOR	BJ7(E)29F3563 ON	1	GDC101 (874-060)	£23.25
EI4032	CAP - DISTRIBUTOR (LUCAS)	BN4-BJ7	1	GDC106 (872-802)	£65.50
EI4033	CAP - DISTRIBUTOR (LUCAS)	BJ8	1	GDC101 (874-060)	£65.50
EI4034	CAP - DISTRIBUTOR (MALLORY)	BN1-BN2	1	CELI110M	£22.95
EI4035	CAP - DISTRIBUTOR (MALLORY)	BN4-BJ8	1	CELI112M	£37.45
EI4036	CARBON BRUSH - MALLORY DISTRIBUTOR	BN1-BJ8	1		£6.98
EI4040	ACORN NUT - DIST. CAP	BN1-BN2	4	17H5122 (152-510)	£0.55
EI4049	CONTACT SET (LUCAS)	BN1-BN2	1	GCS2102	£16.45
EI4052	CONTACT SET (LUCAS)	BN4-BJ7(E)29F3562	1	17H5243 (153-900)	£5.15
EI4053	CONTACT SET (LUCAS)	BJ7(E)29F3563 ON	1	17H5423 (153-900)	£2.50
EI4054	CONTACT SET - (UK MADE)	BJ7(E)29F3563 ON	1	17H5423 (153-900)	£8.50
EI4055	POINT SET - MALLORY DISTRIBUTOR	BN4-BJ8	2	CELI118M	£17.25
EI4058	SCREW - CONTACT SET	BN1-BJ8	1		£0.45
EI4059	ROTOR ARM	100S	1	400052	£21.00
EI4060	ROTOR ARM	BN1-BN2	1	GRA101 (151-710)	£2.25
EI4061	ROTOR ARM - RED (PREMIUM QUALITY)	BN1-BN2	1		£7.35
EI4062	ROTOR ARM - LUCAS	BN4-BJ8	1	17H5110 (872-795)	£3.95
EI4063	ROTOR ARM - RED (PREMIUM QUALITY)	BN4-BJ8	1		£7.35
EI4064	ROTOR ARM - MALLORY	BN1-BJ8	1	CELI121M	£9.50
EI4070	CONDENSER	BN1-BJ8	1	GSC111 (154-000)	£1.75
EI4072	CONDENSOR - MALLORY	BN1-BJ8	2		£7.50
EI4080	L.T. TERMINAL NYLON BUSH & LEAD	BN1-BN2	1	57H5346 (560-450)	£12.05
EI4081	L.T. TERMINAL NYLON BUSH & LEAD	BJ7(E)29F3563 ON	1	17H5531 (153-640)	£6.45
EI4082	L.T. TERMINAL NYLON BUSH & LEAD	BJ8	1	57H5478 (153-640)	£6.95
EI4084	L.T. TERMINAL NYLON BUSH & LEAD (ORIG. LUCAS)	BJ8	1	57H5478 (153-640)	£12.95
EI4085	DISTRIBUTOR SPRING SET - UNIVERSAL	BN1-BJ8	1	CELI123	£11.50



Electrical - Ignition

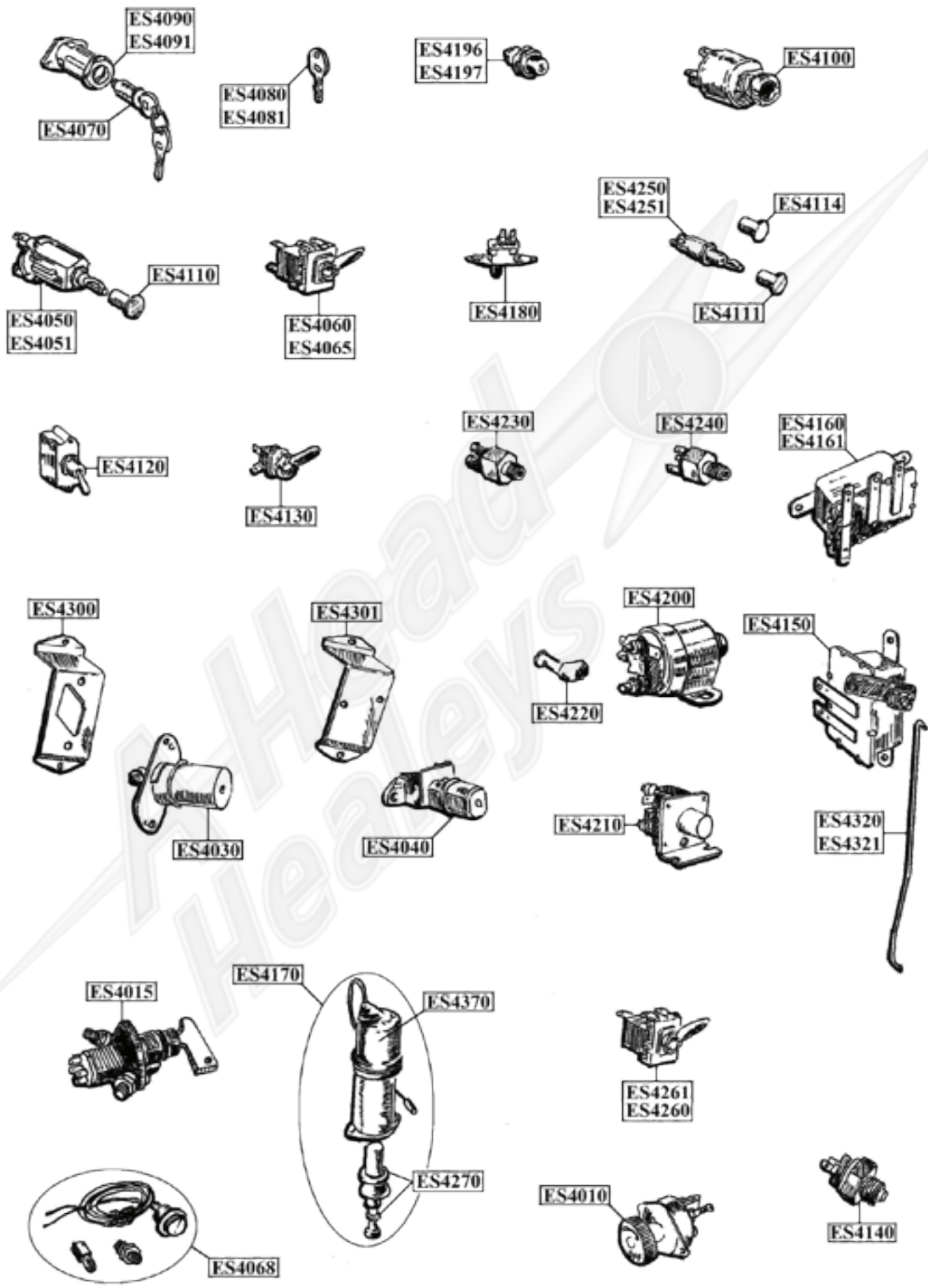
PART No	DESCRIPTION	APPLICATION	QTY	NOTES	PRICE
EI4089	VACUUM ADVANCE UNIT - (NEW)	BN4-BJ7 (E29F3562)	1	54412033 DM6	£56.30
EI4090	VACUUM ADVANCE UNIT - EXCHANGE	BN1-BN2	1	17H5536 (551-040)	£69.75
EI4091	VACUUM ADVANCE UNIT - LE MANS	BN1-BN2	1	(551-025)	£68.80
EI4092	VACUUM ADVANCE UNIT - EXCHANGE	BN4-BJ7(E)29F3562	1	17H5384 (560-510)	£74.75
EI4093	VACUUM ADVANCE UNIT	BJ7(E)29F3563 ON	1	17H6865 (560-530)	£35.60
EI4094	VACUUM CONTROL PIPE	BN4-MK1(E)29E- H101	1	AEC416	£11.75
EI4095	VACUUM CONTROL PIPE	BN1-BN2	1		£11.75
EI4100	VACUUM CONTROL PIPE	BN7,BT7 & BJ7 MK2	1	AEC2085 (021-952)	£8.25
EI4101	VACUUM CONTROL PIPE	BJ8	1	12B834 (163-575)	£4.25
EI4102	CONNECTION RUBBER	BN7 & BT7 MK2- BJ8	1 OR 2	ACH9041 (153-830)	£1.95
EI4103	NIPPLE - VACUUM CONTROL PIPE (BRASS)	BN1-BJ8	1		£1.20
EI4104	NUT - VACUUM CONTROL PIPE (BRASS)	BN1-BJ8	1		£1.20
EI4110	IGNITION COIL - SCREW FITTING (BLACK TOP)	BN1-BJ8	1	GCL101 (543-020)	£15.75
EI4112	IGNITION COIL - PUSH FIT (ORIG. LUCAS)	BN1-BJ8	1	GCL110 (143-220)	£59.25
EI4130	IGNITION COIL - PUSH IN FITTING	BN1-BJ8	1	GCL110 (143-220)	£16.95
EI4131	IGNITION COIL - SPORTS	BN1-BJ8	1	GCL110 (143-200)	£20.45
EI4132	ACORN NUT - COIL	BN1-BJ8	1	3H2695 (152-400)	£1.25
EI4133	LEAD SET - IGNITION (COMPETITION)	BN1-BN2	1		£24.25
EI4134	LEAD SET - IGNITION (COMPETITION)	BN4-BJ8	1		£34.70
EI4135	H.T.LEAD - PER METRE (COMPETITION)	BN1-BJ8	AR	CELI150	£4.46
EI4142	ACORN WASHER	BN1-BJ8	AR	3H2696 (146-310)	£0.20
EI4145	CONNECTOR KIT - PUSH FIT COIL	BN1-BJ8	1		£2.25
EI4150	SPARK PLUG	BN1-BN2	4	N9Y (152-120)	£1.75
EI4161	SPARK PLUG	BN4-BJ8	4	N12Y (860-051)	£2.54
EI4165	SPARK PLUG (NGK) HIGH PERFORMANCE	BN1-BN2	4		£2.05
EI4166	SPARK PLUG (NGK) HIGH PERFORMANCE	BN4-BJ8	6		£2.55
EI4167	SPARK PLUG (NGK) VX PLATINUM	BN4-BJ8	6		£7.98
EI4170	PLUG CAP - RIGHT ANGLE (NGK)	BN1-BJ8	AR		£3.60
EI4171	PLUG CAP - RIGHT ANGLE (LUCAS TYPE)	BN1-BJ8	AR	3H1422 (171-620)	£2.95
EI4179	PLUG CAP - GENUINE CHAMPION - STRAIGHT	BN1-BN4	4 OR 6		£6.95
EI4180	PLUG CAP - RIGHT ANGLE (GENUINE CHAMPION)	BN1-BJ8	AR	WCX600 (171-625)	£7.25
EI4190	H.T. LEAD - PER METRE	BN4-BJ8	AR	(171-637)	£1.95
EI4192	SLEEVE SET - IGN. LEADS (1-4)	BN1-BN2	1	(171-630)	£2.85
EI4200	IGNITION LEAD SET - NGK CAPS	BN1-BN2	1		£20.74
EI4210	IGNITION LEAD SET - 6 CYL. (LUCAS)	BN4-BJ8	1		£29.95
EI4211	IGNITION LEAD SET - NGK CAPS	BN4-BJ8	1		£24.25
EI4219	IGNITION LEAD SET - 4 CYL (LUCAS)	BN1-BN2	1		£12.50
EI4220	SLEEVE SET - IGN. LEADS (1-6)	BN4-BJ8	1	(171-640)	£5.75
EI4230	LUCAS LABEL - IGN. COIL	BN1-BJ8	AR	(215-630)	£1.75
EI4237	DRIVE GEAR & SPINDLE - DISTRIBUTOR	BN1-BN2	1	1K113	£133.35
EI4238	DRIVE GEAR & SPINDLE - DISTRIBUTOR (USED)	BN1-BN2	1	1K113	£95.00
EI4239	GEAR - DISTRIBUTOR DRIVE (USED)	BN4-BJ7 (6188)	1	AEC242	£75.50
EI4240	GEAR - TACHOMETER DRIVE	BN4-BJ7	1	AEC679 (021-330)	£68.95
EI4242	O' RING - DISTRIBUTOR BODY	BN1-BJ7	1		£1.30

Electrical - Ignition

PART №	DESCRIPTION	APPLICATION	QTY	NOTES	PRICE
EI4248	IGNITOR IGNITION KIT - POS. EARTH	100M	1		£113.25
EI4249	IGNITOR IGNITION KIT - NEG. EARTH	100M	1		£113.25
EI4250	IGNITOR IGNITION KIT - POS. EARTH	BN1-BN2	1		£113.25
EI4251	IGNITOR IGNITION KIT - POS. EARTH	BN4-BJ7(E)29F3562	1		£113.25
EI4252	IGNITOR IGNITION KIT - POS. EARTH	BJ7(E)29F3563 ON	1		£113.25
EI4253	IGNITOR IGNITION KIT - NEG. EARTH	BN1-BN2	1		£113.25
EI4254	IGNITOR IGNITION KIT - NEG. EARTH	BN4-BJ7(E)29F3562	1		£113.25
EI4255	IGNITOR IGNITION KIT - NEG. EARTH	BJ7.E29F3563-BJ8	1		£113.25
EI4260	LUMINATION DISTRIBUTOR KIT	BN1-BN2	1		£136.62
EI4261	LUMINATION DISTRIBUTOR KIT	BN4-BJ7(E)29F3562	1		£142.56
EI4262	LUMINATION DISTRIBUTOR KIT	BJ7(E)29F3563 ON	1		£142.56
EI4270	MOUNTING BRACKET - LUMINATION	BN4-BJ8	1		£8.16
EI4271	LUMINATION FITTING KIT	BJ7.22695-BJ8	1	25D6	£15.45
EI4280	LUMINATION PERFORMANCE KIT	BN1-BN2	1		£206.91
EI4281	LUMINATION PERFORMANCE KIT	BN4-BJ7(E)29F3562	1		£206.91
EI4282	LUMINATION PERFORMANCE KIT - (NEG. EARTH)	BJ7(E)29F3563 ON	1		£206.91
EI4290	LUMINATION MAGNETRONIC KIT - NEG. EARTH ONLY	25D6	1		£83.65
EI4300	CSI ELECTRONIC DISTRIBUTOR - POSITIVE EARTH				



Electrical - Switches



Electrical - Switches

PART №	DESCRIPTION	APPLICATION	QTY	NOTES	PRICE
ES4010	BATTERY MASTER SWITCH	BN1-BJ8	1	1B2804 (145-770)	£37.95
ES4015	BATTERY CUT OFF SWITCH - COMPETITION	BN1-BJ8	1	CELS101A (FIA APP.)	£32.44
ES4030	DIP SWITCH - HEADLIGHT	BN1-BJ7	1	11G2007 (140-900)	£26.57
ES4040	DIP SWITCH - HEADLIGHT	BJ8	1	37H2099 (542-130)	£17.50
ES4041	DIP SWITCH - HEADLIGHT - LUCAS	BJ8	1		£24.95
ES4050	HEAD & SIDELIGHT SWITCH	BN1-BJ7	1	3H3098 (140-500)	£19.90
ES4051	HEAD & SIDELIGHT SWITCH (ORIG. LUCAS)	BN1-BJ7	1	3H3098 (140-500)	£48.25
ES4060	HEAD & SIDELIGHT SWITCH	BJ8	1	BCA4294 (141-230)	£19.95
ES4065	HEAD & SIDELIGHT SWITCH (ORIG. LUCAS)	BJ8	1	BCA4294 (141-230)	£29.95
ES4068	HAZARD WARNING KIT	BN1-BJ8	1	NEGATIVE EARTH	£39.95
ES4070	IGNITION KEY & BARREL	BN1-BJ8	1	24G1345 (163-500)	£6.40
ES4080	IGNITION KEY BLANK - F.S.	BN1-BJ8	AR		£1.35
ES4081	IGNITION KEY BLANK - F.P.	BN1-BJ8	AR		£1.95
ES4091	IGN. SWITCH - LESS BARREL & KEYS (LUCAS)	BN1-BJ7	1	3H2825 (141-300)	£14.29
ES4100	IGN. SWITCH - LESS BARREL & KEYS	BJ8	1	13H337 (140-530)	£7.75
ES4101	IGN. SWITCH - LESS BARREL & KEYS (LUCAS)	BJ8	1	13H337 (140-530)	£9.95
ES4110	KNOB - HEAD/SIDE LIGHT	BN1-BJ7	1	3H3099 (633-630)	£4.77
ES4111	KNOB - WIPER	BN1-BJ7	1	3H3096 (633-620)	£3.95
ES4113	KNOB - W (NON-STD.)	BN1-BJ7	1	DELETE	£4.40
ES4114	KNOB - PLAIN	BN1-BJ8	1	3H3099	£4.60
ES4120	OVERDRIVE SWITCH - DASH	BN2-BJ7	1	1B9030 (141-240)	£9.50
ES4130	OVERDRIVE & PANEL LIGHT SWITCH - DASH	BJ8	2 OR 3	BCA4312 (141-210)	£5.59
ES4131	OVERDRIVE & PANEL LIGHT SWITCH - DASH (ORIG. LUCAS)	BJ8	2	RTC430 (141-210)	£9.45
ES4140	OVERDRIVE INHIBITOR SWITCH	BN2-BJ8	1	AEJ20 (140-470)	£11.49
ES4150	THROTTLE SWITCH - OVERDRIVE (INCLUDES LEVER)	BN1-BJ8	1	1B2837 (141-050)	£63.85
ES4160	OVERDRIVE RELAY	BN1-BJ7	1	1B2836 (542-460)	£49.45
ES4161	OVERDRIVE RELAY	BJ8	1	BMK685 (542-170)	£21.20
ES4170	OVERDRIVE SOLENOID	BN1-BJ8	1	AEJ42 (546-090)	£29.50
ES4171	OVERDRIVE SOLENOID - ORIG. LUCAS	BN1-BJ8	1		£65.95
ES4180	PANEL LIGHT SWITCH - SCREW CONNECTORS	BN1-BJ7	1	3H3100 (140-520)	£20.95
ES4196	STARTER BUTTON	BN1-BJ7	1	3H3058 (872-092)	£11.99
ES4197	STARTER BUTTON - ORIG. LUCAS WITH S	BN1-BJ7	1	3H3058 (872-092)	£35.00
ES4200	STARTER SOLENOID	BN1-BJ8	1	3H852 (546-020)	£20.59
ES4210	STARTER SOLENOID	LATE BJ8 ON	1	BMK1727 (546-150)	£8.02
ES4211	STARTER SOLENOID - ORIG. LUCAS	LATE BJ8 ON	1	BMK1727	£17.50
ES4220	RUBBER BOOT - SOLENOID TERMINAL	BN1-BJ8	AR	8G548 (546-025)	£0.99
ES4230	STOP LIGHT SWITCH - NON SERVO (SCREW TERMINALS)	BN1-BJ7	1	13H2303 (141-700)	£5.25
ES4231	STOP LIGHT SWITCH - NON SERVO (LUCAS TERMINALS)	BN1-BJ7	1	13H2303 (141-700)	£5.25
ES4240	STOP LIGHT SWITCH - SERVO	BJ8	1	27H4754 (560-480)	£7.45
ES4244	OIL PRESSURE INDICATOR LIGHT KIT	BN1-BJ8	AR	CELS190K	£46.25
ES4250	WIPER SWITCH	BN1-BJ7	1	3H3095 (162-100)	£12.15
ES4251	WIPER SWITCH (ORIG. LUCAS)	BN1-BJ7	1	3H3095 (162-100)	£23.95
ES4260	WIPER SWITCH	BJ8	1	BHA4237 (141-530)	£14.10
ES4261	WIPER SWITCH (LUCAS)	BJ8	1	BHA4237 (141-530)	£16.00
ES4265	SWITCH BEZEL TOOL - LUCAS (2-PEG DRIVE)	BN1-BJ8	1		£30.59

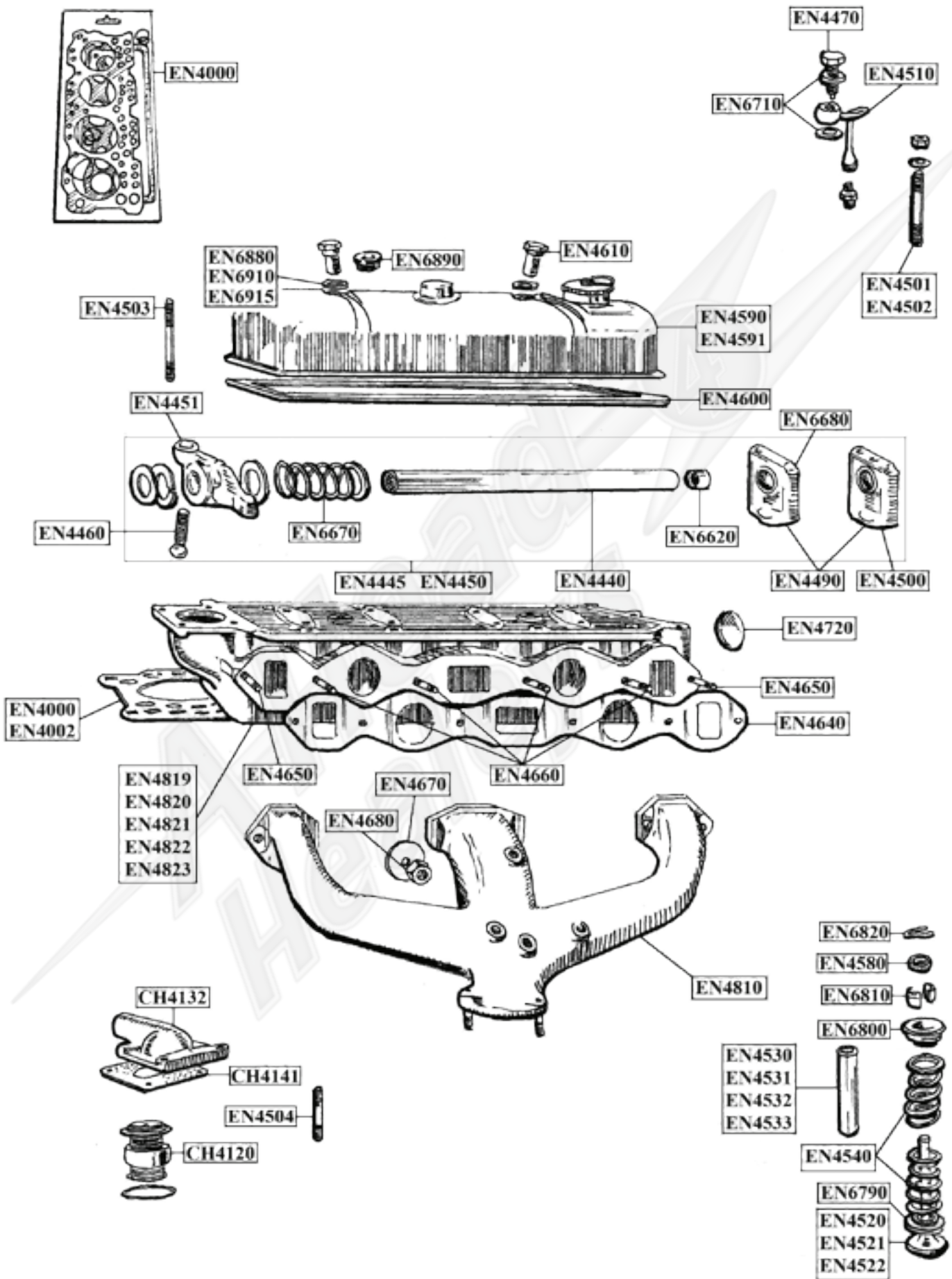
SE

Electrical - Switches

PART №	DESCRIPTION	APPLICATION	QTY	NOTES	PRICE
ES4270	PLUNGER & GAITER - SOLENOID	BN1-BJ8	1		£2.92
ES4300	DIP SWITCH MOUNTING BRACKET	BN4-BJ7	1	1A1880 (542-145)	£19.85
ES4301	DIP SWITCH MOUNTING BRACKET	BJ8	1	AHB6504 (542-155)	£14.60
ES4320	LINK ROD - THROTTLE SWITCH	BN1-BN2	1		£6.99
ES4321	LINK ROD - THROTTLE SWITCH	BN4-BJ8	1	AHB9053	£7.80
ES4360	SWITCH - ROTARY TUMBLAR (LUCAS)	BN1-BJ8	1	2 WAY SWITCH	£83.50
ES4370	RUBBER BOOT - SOLENOID	BN1-BJ8	1	(680-210)	£14.65

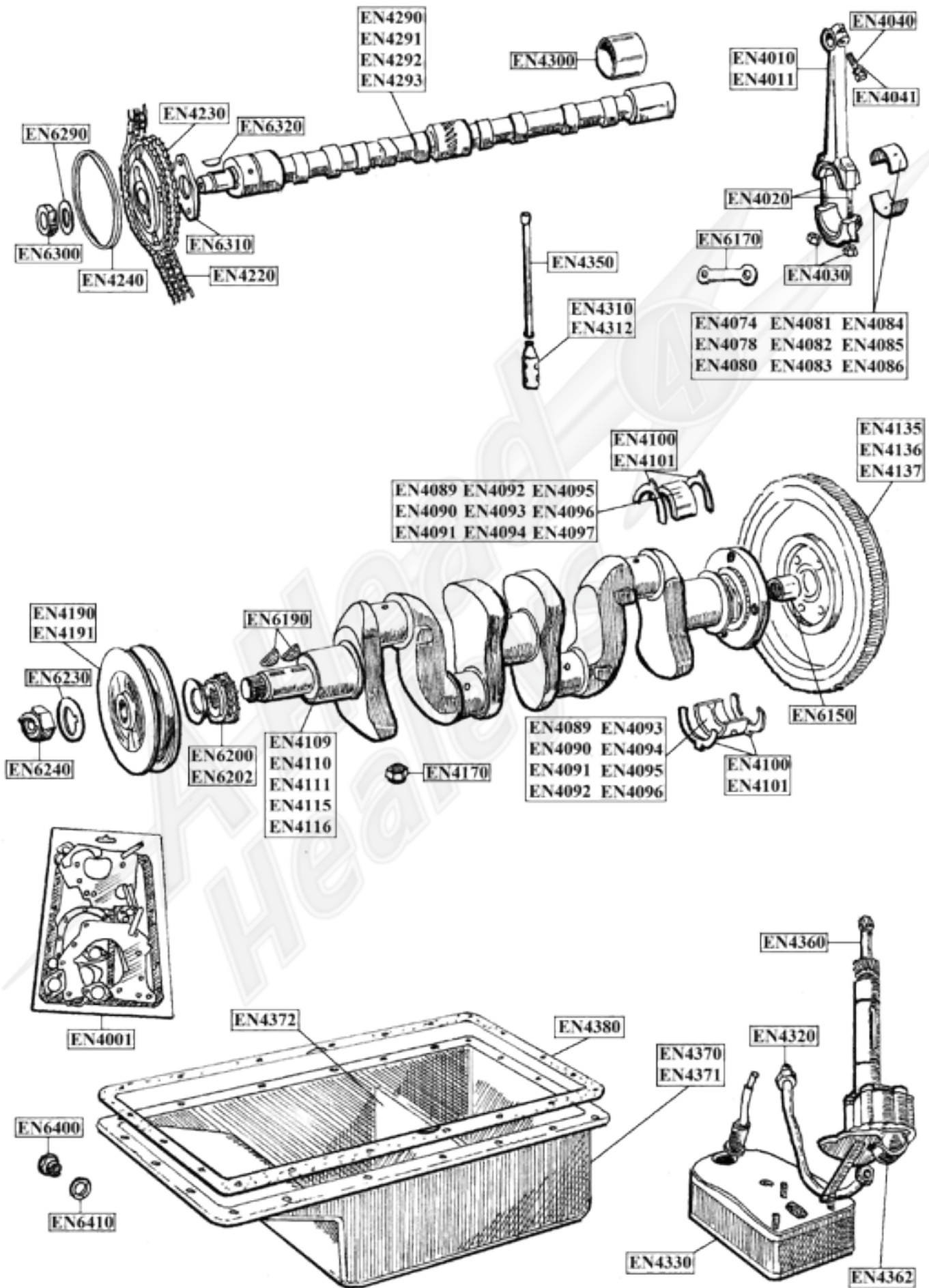
A-Head
Healeys

Engine 4 Cylinder

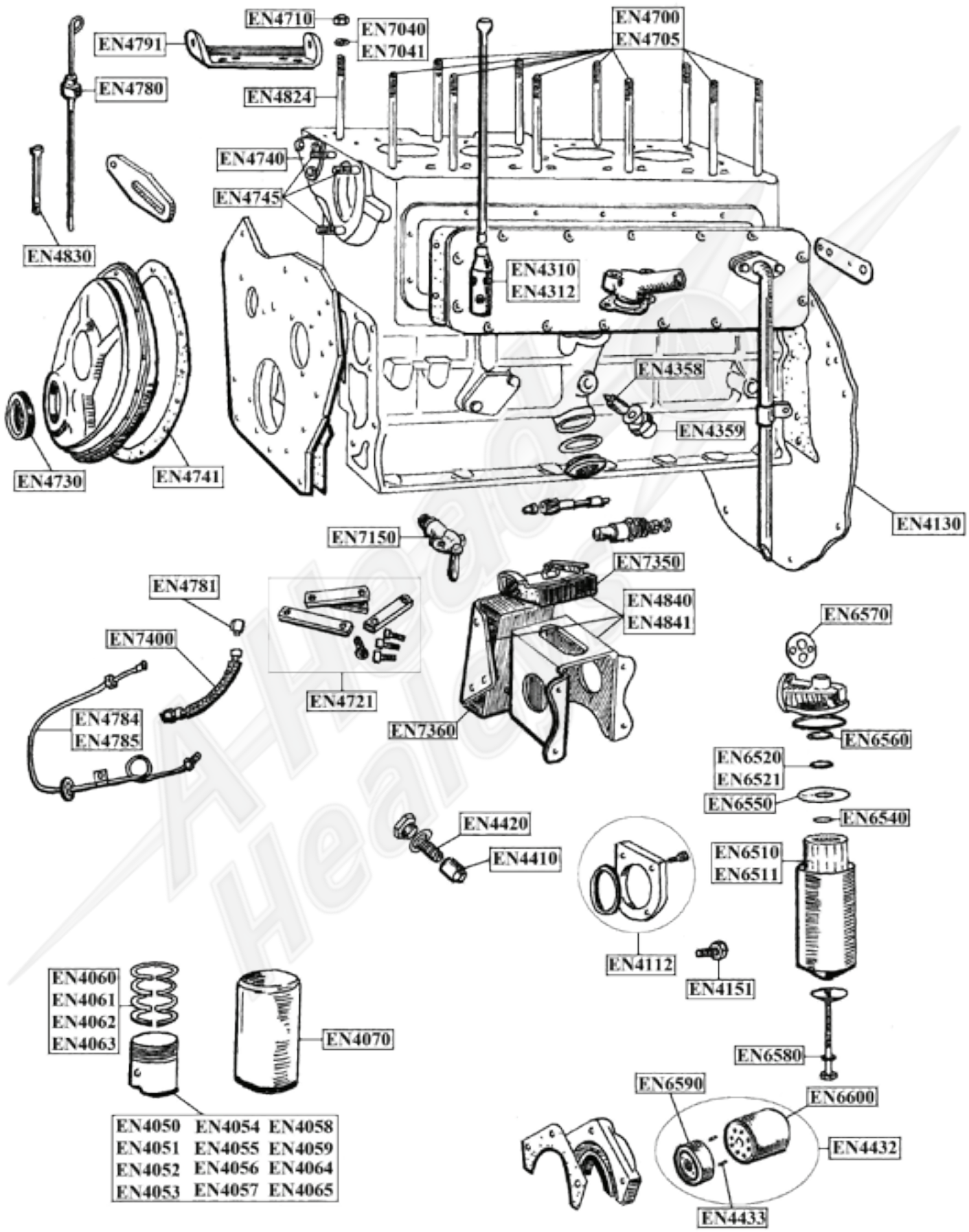


EN4

Engine 4 Cylinder



Engine 4 Cylinder



EN4

Engine 4 Cylinder

PART №	DESCRIPTION	APPLICATION	QTY	NOTES	PRICE
EN4000	GASKET SET - CYLINDER HEAD	BN1-BN2	1	B3-238A (524-012)	£41.95
EN4001	GASKET SET - BOTTOM END	BN1-BN2	1	B3-238 (021-052)	£22.90
EN4002	HEAD GASKET - COMPOSITE	BN1-BN2	1	CENG401A	£203.18
EN4003	GASKET - CYLINDER HEAD	BN1-BN2	1	1B1708 (021-056)	£30.98
EN4005	FERRULE FOR INDUCTION PORT (PAIR)	BN1-BN2	1	1B1381	£20.63
EN4010	CON ROD - USED	BN1-BN2	4	1B2921 (631-203)	£78.75
EN4011	STEEL CON ROD SET - H SECTION (FORGED)	BN1-BN2	1	CENG432R (STEEL CRANK ONLY)	£1,233.56
EN4020	BOLT - CON ROD (PR)	BN1-BN2	4	1K2808 (320-975/985)	£24.57
EN4030	NUT - BIG END	BN1-BN2	8	1K2811 (310-880)	£1.25
EN4040	BOLT - SMALL END	BN1-BN2	4	2K5681 (320-465)	£1.05
EN4041	SPRING WASHER - SMALL END BOLT	BN1-BN2	4	2K5895 (324-040)	£0.12
EN4050	PISTON ASSY X 4 - STD	BN1-BN2	1	(021-100)	£181.91
EN4051	PISTON ASSY X 4 - +.020	BN1-BN2	1	(021-101)	£181.91
EN4052	PISTON ASSY X 4 - +.030	BN1-BN2	1	(021-102)	£181.91
EN4053	PISTON ASSY X 4 - +.040	BN1-BN2	1	(021-103)	£181.91
EN4054	PISTON ASSY X 4 - +.060	BN1-BN2	1		£181.91
EN4055	PISTON ASSY X 4 - HIGH COMPRESSION - STD	100M	1	(021-110)	£193.30
EN4056	PISTON ASSY X 4 - HIGH COMPRESSION - +.020	100M	1	(021-111)	£193.30
EN4057	PISTON ASSY X 4 - HIGH COMPRESSION - +.030	100M	1	(021-112)	£193.30
EN4058	PISTON ASSY X 4 - HIGH COMPRESSION - +.040	100M	1	(021-113)	£193.30
EN4059	PISTON ASSY X 4 - HIGH COMPRESSION - +.060	100M	1		£193.30
EN4060	PISTON RING SET - STD	BN1-BN2	1	(021-310)	£68.20
EN4061	PISTON RING SET - +.020	BN1-BN2	1	(021-311)	£68.20
EN4062	PISTON RING SET - +.030	BN1-BN2	1	(021-312)	£68.20
EN4063	PISTON RING SET - +.040	BN1-BN2	1	(021-313)	£68.20
EN4064	PISTON SET - DIE CAST (OMEGA 8.5:1) 88MM	BN1-BN2	1	CENG409 (DISHED - M SPEC)	£395.90
EN4065	PISTON SET - FORGED (OMEGA 10.5:1) FLAT TOP	BN1-BN2	1	CENG409F	£495.00
EN4070	CYLINDER LINER	BN1-BN2	4	(826-000)	£21.35
EN4073	BIG END BEARING SET - +.010 (UK MADE)	BN1-BN2	1	8G2051010	£63.00
EN4074	BIG END BEARING SET - +.020 (UK MADE)	BN1-BN2	1	8G2051020 (021-030)	£63.00
EN4075	BIG END BEARING SET - +.030 (UK MADE)	BN1-BN2	1	8G2051030 (VANDERVELL)	£63.00
EN4078	BIG END BEARING SET - +.060 (UK MADE)	BN1-BN2	1		£145.79
EN4080	BIG END BEARING SET - STD	BN1-BN2	1	8G2051 (550-040)	£30.85
EN4081	BIG END BEARING SET - +.010	BN1-BN2	1	8G2051010 (550-041)	£30.85
EN4082	BIG END BEARING SET - +.020	BN1-BN2	1	8G2051020 (021-030)	£30.85
EN4083	BIG END BEARING SET - +.030	BN1-BN2	1	8G2051030 (021-031)	£30.85
EN4084	BIG END BEARING SET - +.040	BN1-BN2	1	8G2051040 (021-032)	£37.95
EN4086	BIG END BEARING SET - STD (STEEL CRANK)	BN1-BN2	1	CENG419	£32.65
EN4087	STUD - MAIN BEARING	BN1-BN2	6	CENG430S	£11.45
EN4088	SPRING WASHER - MAIN BRG. CAP	BN1-BN2	6	CENG430W	£0.22
EN4089	MAIN BEARING SET - +.020 (UK MADE)	BN1-BN2	1	8G2058020 (021-037)	£67.73
EN4090	MAIN BEARING SET - STD	BN1-BN2	1	8G2058 (021-035)	£42.45
EN4091	MAIN BEARING SET - +.010	BN1-BN2	1	8G2058010 (021-036)	£42.45
EN4092	MAIN BEARING SET - +.020	BN1-BN2	1	8G2058020 (021-037)	£42.45
EN4093	MAIN BEARING SET - +.030	BN1-BN2	1	8G2058030 (021-038)	£42.45

Engine 4 Cylinder

PART №	DESCRIPTION	APPLICATION	QTY	NOTES	PRICE
EN4094	MAIN BEARING SET - +.040	BN1-BN2	1	8G2058040 (021-039)	£42.45
EN4095	MAIN BEARING SET - +.050	BN1-BN2	1	8G2058050	£28.73
EN4096	MAIN BEARING SET - +.060	BN1-BN2	1	8G2058060	£88.60
EN4097	MAIN BEARING SET - STD (STEEL CRANK)	BN1-BN2	1		£31.35
EN4100	THRUST WASHER SET - STD	BN1-BN2	1	1D943 (555-105)	£7.15
EN4101	THRUST WASHER SET - +0.005	BN1-BN2	1	1D1056 (828-010)	£13.85
EN4109	CRANK SHAFT - SECOND HAND	BN1-BN2	1	(021-351)	£695.00
EN4110	CRANK SHAFT - REGROUND (EXCHANGE)	BN1-BN2	1	(021-351)	£250.00
EN4111	CRANK SHAFT - REGROUND (OUTRIGHT)	BN1-BN2	1	(021-351)	£810.75
EN4112	REAR CRANK SEAL CONVERSION KIT	BN1-BN2	1	CENG590	£63.26
EN4115	CRANKSHAFT - STEEL (8 BOLT FLYWHEEL)	BN1-BN2	1	CENG432K (87060011)	£2,447.78
EN4116	CRANKSHAFT - STEEL (12 BOLT FLYWHEEL)	BN1-BN2	1		
EN4120	MAIN BEARING CAP	BN1-BN2	1		
EN4128	BACK PLATE - ALUMINIUM	BN1-BN2	1	CENG402	£110.23
EN4130	BACK PLATE- ALUMINIUM (HYDRAULIC CLUTCH)	BN1-BN2	1	CENG402A	£105.95
EN4135	FLYWHEEL - EXCHANGE (LIGHTENED)	BN1-BN2	1	CENG435A	£149.95
EN4136	FLYWHEEL - EXCHANGE (LIGHTENED & BALANCED)	BN1-BN2	1	CENG435AB	£179.50
EN4137	FLYWHEEL - STEEL (8 BOLT FIXING)	BN1-BN2	1	CENG635SO	£325.95
EN4151	BOLT - FLYWHEEL	BN1-BN2	4	2K6562 (320-980)	£3.34
EN4170	NUT - MAIN BEARING CAP (SELF LOCK)	BN1-BN2	6	ENG439 (309-010)	£2.10
EN4190	PULLEY - CRANKSHAFT	BN1-BN2	1	1B1057 (837-590)	£82.11
EN4191	PULLEY - CRANK (NARROW BELT)	BN1-BN2	1	CENG442 (ALUMINIUM)	£89.95
EN4220	TIMING CHAIN	BN1-BN2	1	USE EN6250	
EN4230	CAM GEAR - TIMING (WITH RIVETS)	BN1-BN2	1	1B1519 (838-020)	£71.80
EN4240	TENSIONER RING - CAMGEAR	BN1-BN2	1	8G528 (682-070)	£2.45
EN4290	CAMSHAFT - NEW (OUTRIGHT) LE MANS	BN1-BN2	1	1B2892 (021-420)	£375.00
EN4291	CAMSHAFT - RE-PROFIED (EXCHANGE) LE MANS	BN1-BN2	1	1B2892 (021-420)	£148.24
EN4292	CAMSHAFT KIT - NEW (DWR2)	BN1-BN2	1	CENG456/2	£455.50
EN4293	CAMSHAFT KIT - NEW (DWR1)	BN1-BN2	1		£569.95
EN4300	BEARING SET - CAMSHAFT	BN1-BN2	1	8G2214 (550-645)	£37.28
EN4310	CAM FOLLOWER	BN1-BN2	8	1B1354 (031-212)	£8.87
EN4312	CAM FOLLOWER - MODIFIED	BN1-BN2	8	CENG460	£13.04
EN4314	TAPPET SIDE COVER (USED)	BN1-BN2	1	1B1436	£88.73
EN4315	TAPPET SIDE COVER	100S	1	SENG305	£30.65
EN4316	TAPPET SIDE COVER GASKET	BN1-BN2	1	1B1439	£3.90
EN4320	PIPE - OIL DELIVERY (FLEXIBLE)	BN1-BN2	1	CENG465 (1B1234) (836-600)	£46.15
EN4330	OIL STRAINER	BN1-BN2	1	11B144 (836-590)	£41.21
EN4350	PUSH ROD	BN1-BN2	8	1B2331 (021-395)	£5.78
EN4352	TACHO DRIVE HOUSING	BN1-BN2	1	1B1700	£144.59
EN4353	TACHO DRIVE BUSH	BN1-BN2	1	1G3409	£39.74
EN4354	TACHO DRIVE GEAR	BN1-BN2	1	1B2151	£111.46
EN4355	TACHO DRIVE OIL SEAL RETAINING RING	BN1-BN2	1	1G3410	£13.39
EN4358	LOCATING SCREW - OIL PUMP	BN1-BN2	1	1K120	£7.95
EN4359	LOCATING NUT - OIL PUMP	BN1-BN2	1	1K714	£8.15
EN4360	OIL PUMP - LESS DRIVE SHAFT	BN1-BN2	1	(836-010)	£239.77
EN4362	DRIVE SHAFT - OIL PUMP	BN1-BN2	1		£172.20

EN4

Engine 4 Cylinder

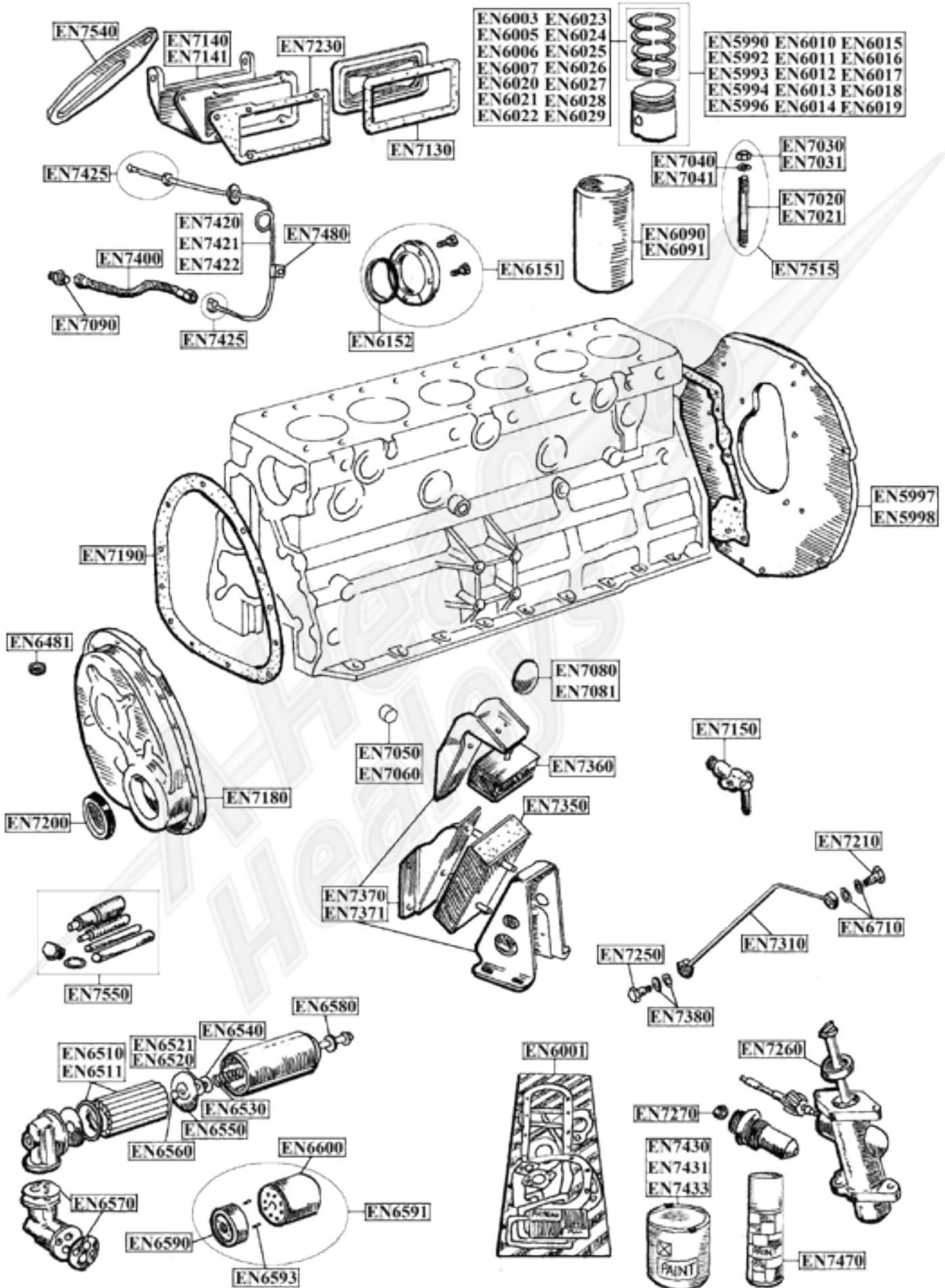
PART No	DESCRIPTION	APPLICATION	QTY	NOTES	PRICE
EN4370	OIL SUMP	BN1-BN2	1	11B340 (021-120)	£171.52
EN4371	OIL SUMP - ALUMINIUM	BN1-BN2	1	CENG467S	£188.48
EN4372	SUMP BAFFLE - ALUMINIUM	BN1-BN2	1	CENG467B	£26.51
EN4380	GASKET - OIL SUMP	BN1-BN2	1	12B2719 (021-057)	£5.20
EN4385	DIP STICK	BN1-BN2	1	1B1466	£38.17
EN4410	VALVE - OIL PRESSURE RELEASE	BN1-BN2	1	1G1452 (460-155)	£2.95
EN4420	SPRING - OIL PRESSURE RELEASE	BN1-BN2	1	2K7695 (329-045)	£1.75
EN4432	OIL FILTER KIT - SPIN OFF (DIRECT TO BLOCK)	BN1-BN2	1		£28.95
EN4433	BOLT - ADAPTOR - (SPIN OFF FILTER) BSF	BN1-BN2	2		£0.63
EN4440	ROCKER SHAFT	BN1-BN2	1	1B1382 (021-353)	£29.95
EN4441	ROCKER SHAFT - TUFTRIDED	BN1-BN2	1	1B1382 (021-353)	£42.95
EN4445	ROLLER ROCKER KIT	BN1-BN2	1	CENG502K	£667.17
EN4450	ROCKER SHAFT ASSY - RECONDITIONED (EX-CHANGE)	BN1-BN2	1		£117.20
EN4451	ROCKER ARM (USED)	BN1-BN2	8	1D1794 (833-440)	£16.75
EN4460	SCREW - ROCKER ADJUSTING	BN1-BN2	8	8G552 (839-060)	£9.61
EN4470	BANJO BOLT - OIL FEED	BN1-BN2	1	CENG507	£8.77
EN4490	ROCKER PEDESTAL & SPACER SET (STEEL)	BN1-BN2	1	CENG508	£124.75
EN4500	ROCKER PEDASTAL - TAPPED HOLE	BN1-BN2	1	11B298 (021-356)	£21.51
EN4501	STUD - ROCKER SHAFT - (SHORT)	BN1-BN2	4	2K6349 (328-815)	£1.94
EN4502	STUD - ROCKER SHAFT (LONG)	BN1-BN2	4	6K776 (328-825)	£2.15
EN4503	STUD - ROCKER COVER	BN1-BN2	2	2K7974 (328-835)	£2.21
EN4504	STUD - THERMOSTAT HOUSING	BN1-BN2	4	2K3450	£1.77
EN4509	UNION - ROCKER OIL FEED PIPE	BN1-BN2	1	2K7250	£3.95
EN4510	PIPE - ROCKER OIL FEED	BN1-BN2	1	1B1809 (839-080)	£26.20
EN4520	VALVE - INLET	BN1-BN2	4	USE EN6752	
EN4521	VALVE - EXHAUST	BN1-BN2	4	1B1806 (021-022)	£6.69
EN4522	VALVE - EXHAUST (214N S/STEEL) NITRIDE HARD-ENED	BN1-BN2	4		£11.81
EN4530	GUIDE - INLET VALVE	BN1-BN2	4	1B1807 (021-023)	£2.57
EN4531	GUIDE - EXHAUST VALVE	BN1-BN2	4	1B1808 (021-025)	£2.80
EN4532	GUIDE - INLET VALVE (BRONZE)	BN1-BN2	4		£5.78
EN4533	GUIDE - EXHAUST VALVE (BRONZE)	BN1-BN2	4		£5.78
EN4540	VALVE SPRING SET	BN1-BN2	1	(021-026)	£26.95
EN4541	VALVE SPRING SET - COMPETITION	BN1-BN2	1	CENG525 (SINGLE SPRING)	£97.50
EN4580	OIL SEAL - VALVE STEM	BN1-BN2	8	1B1479 (021-060)	£1.30
EN4590	ROCKER COVER - ALLOY WITH QA CAP (ENGRAVED)	BN1-BN2	1		£136.45
EN4591	ROCKER COVER - ALLOY WITH QA CAP (PLAIN)	BN1-BN2	1		£121.28
EN4592	ROCKER COVER - RIBBED ALLOY - W/ CAP NUTS & PLAQUE	BN1-BN2	1		£246.75
EN4600	GASKET - ROCKER COVER	BN1-BN2	1	GEG448 (529-107)	£2.50
EN4610	CAP NUT - ALLOY ROCKER COVER (S.S.)	BN1-BN2	2	(830-260)	£12.50
EN4640	GASKET - MANIFOLD TO HEAD	BN1-BN2	1	1B1378 (529-043)	£3.05
EN4641	GASKET - MANIFOLD (BIG BORE)	BN1-BN2	1	CENG546	£17.00
EN4650	STUD - SHORT (MANIFOLD TO HEAD)	BN1-BN2	2	2K3494 (328-775)	£0.80
EN4660	STUD - LONG (MANIFOLD TO HEAD)	BN1-BN2	4	2K3496 (328-805)	£0.83
EN4670	YOKE - WASHER (MANIFOLD TO HEAD)	BN1-BN2	4	1B1369 (324-495)	£1.55
EN4680	BRASS NUT - MANIFOLD TO HEAD	BN1-BN2	6	2K4052 (310-860)	£0.98

Engine 4 Cylinder

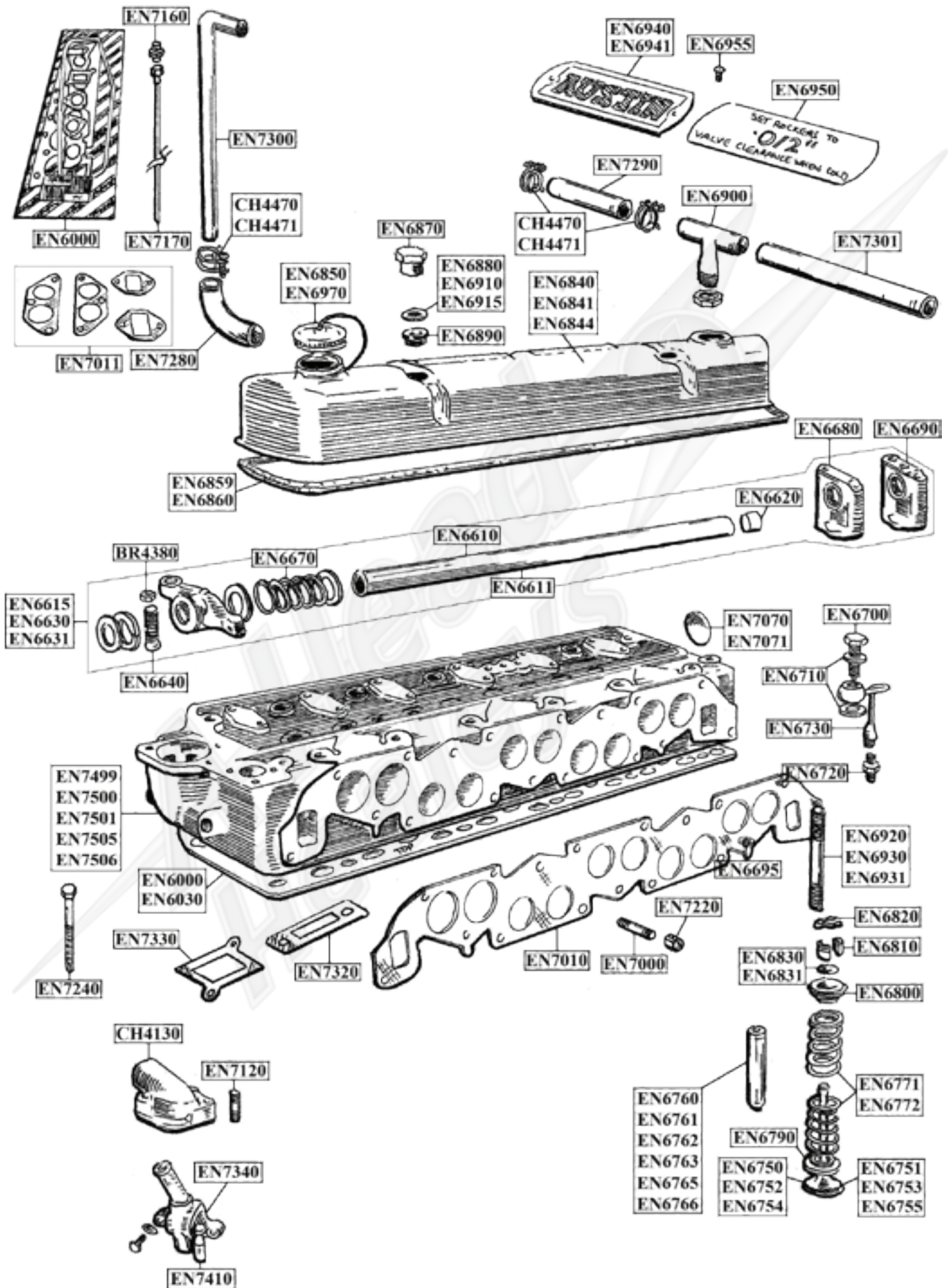
PART №	DESCRIPTION	APPLICATION	QTY	NOTES	PRICE
EN4700	STUD - CYLINDER HEAD	BN1-BN2	11	6K41 (328-785)	£4.46
EN4705	STUD SET - CYLINDER HEAD (COMPETITION)	BN1-BN2	1	CENG561	£84.55
EN4710	NUT - CYLINDER HEAD	BN1-BN2	11	2K6995 (310-840)	£1.35
EN4720	CORE PLUG SET	BN1-BN2	1	(328-238)	£3.69
EN4721	STRAP KIT - CORE PLUGS	BN1-BN2	1	CENG570	£14.35
EN4730	OIL SEAL - TIMING COVER	BN1-BN2	1	2K7139 (021-051)	£3.90
EN4734	TIMING COVER - LIP SEAL CONVERSION (NEW)	BN1-BN2	1		£191.47
EN4735	TIMING COVER - LIP SEAL CONVERSION (EX-CHANGE)	BN1-BN2	1	CENG580A	£112.28
EN4740	BLANKING PLATE - WATER GALLERY	BN1-BN2	1	1B1038 (697-305)	£22.70
EN4741	GASKET - TIMING COVER	BN1-BN2	1	1K45	£2.36
EN4745	STUD - WATER PUMP	BN1-BN2	3	2K6065	£1.16
EN4780	DUST SEAL - DIP STICK	BN1-BN2	1	1B1735 (460-040)	£1.73
EN4781	UNION - OIL PRESSURE HOSE	BN1-BN2	1	6K22 (021-902)	£11.50
EN4784	PIPE - OIL PRESSURE TO GAUGE RHD	BN1-BN2	1		£16.12
EN4785	PIPE - OIL PRESSURE TO GAUGE LHD	BN1-BN2	1	1B2963	£13.50
EN4791	DYNAMO BRACKET	BN1-BN2	1	1B1724 (021-903)	£25.29
EN4792	DYNAMO BRACKET - ALUMINIUM (HEAVY DUTY)	BN1-BN2	1	1B1724 (021-903)	£55.00
EN4810	EXHAUST MANIFOLD - COMPLETE (USED)	BN1-BN2	1	1B1670	£181.45
EN4819	CYLINDER HEAD - ALUMINIUM (BARE)	BN1-BN2	1	CENG495AB	£1,549.28
EN4820	CYLINDER HEAD - ALUMINIUM (C/W VALVES)	BN1-BN2	1	CENG495AS	£1,988.02
EN4821	CYLINDER HEAD - RECON. UNLEADED (OUTRIGHT)	BN1-BN2	1		£1,527.27
EN4822	CYLINDER HEAD - ALUMINIUM (C/W VALVES) FULL RACE	BN1-BN2	1	CENG495AF	£3,009.83
EN4823	CYLINDER HEAD - ALUMINIUM (C/W VALVES) FAST ROAD	BN1-BN2	1	CENG495AR	£2,711.00
EN4830	TUBE - OIL DIP STICK	BN1-BN2	1	1B1063 (460-030)	£5.10
EN4840	BRACKET SET - ENG. MTG. (PER SIDE) - USED	BN1-BN2	1		£127.05

EN4

Engine 6 Cylinder

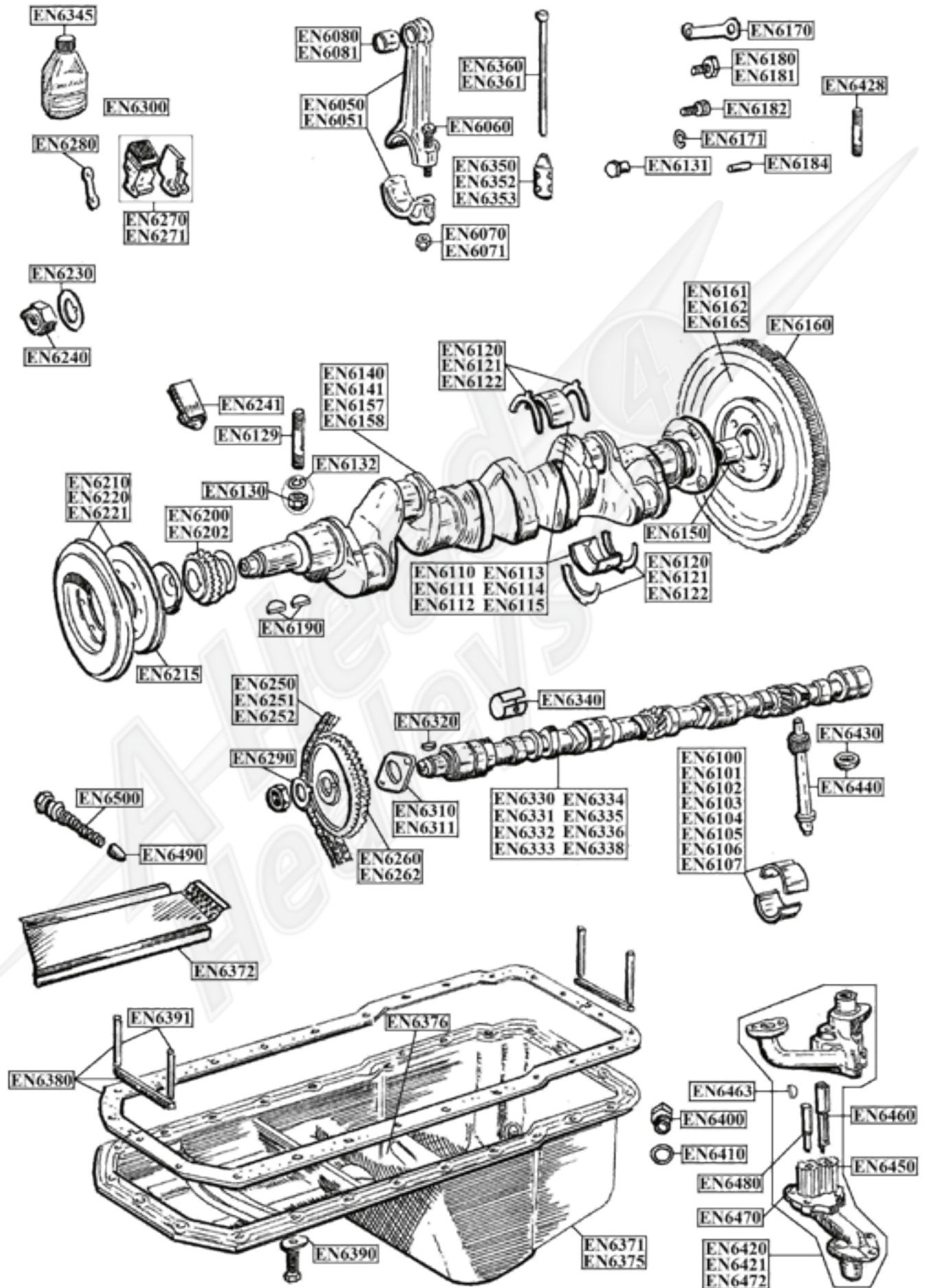


Engine 6 Cylinder



EN6

Engine 6 Cylinder



Engine 6 Cylinder

PART №	DESCRIPTION	APPLICATION	QTY	NOTES	PRICE
EN5990	PISTON SET - STD	BN4.(E)40501 ON	1	(021-290)	£302.35
EN5992	PISTON SET - +.020	BN4.(E)40501 ON	1	(021-292)	£302.35
EN5993	PISTON SET - +.030	BN4.(ENG)40501 ON	1	(021-293)	£304.45
EN5994	PISTON SET - +.040	BN4.(E)40501 ON	1	(021-294)	£304.45
EN5996	PISTON SET - +.060	BN4.(E)40501 ON	1		£302.35
EN5997	ALLOY BACK PLATE - STD. CRANK (WITH EN6151)	BN4-BJ8	1	CENG603D	£162.70
EN5998	BACK PLATE - ALLOY (STEEL CRANK - WITH EN6222)	BN4-BJ8	1		£174.77
EN5999	GASKET SET - CYLINDER HEAD (COPY)	BN4-BJ8	1	GEG128	£34.95
EN6000	GASKET SET - CYLINDER HEAD (PAYEN)	BN4-BJ8	1	GEG128 (524-051)	£45.89
EN6001	GASKET SET - BOTTOM END	BN4-BJ8	1	GEG243 (522-025)	£20.95
EN6003	PISTON RING SET - STD	BN4-BN6	1	(567-052)	£75.34
EN6005	PISTON RING SET - +.020	BN4-BN6	1	(021-316)	£75.34
EN6006	PISTON RING SET - +.030	BN4-BN6	1	(021-317)	£75.34
EN6007	PISTON RING SET - +.040	BN4-BN6	1	(021-318)	£75.34
EN6010	PISTON SET - STD (17731 TYPE)	BT7-BJ8	1	(021-296)	£194.53
EN6011	PISTON SET - STD (17731 HEPOLITE)	BT7-BJ8	1	8G2562 (021-296)	£532.00
EN6012	PISTON SET - +.020 (17731 TYPE)	BT7-BJ8	1	8G2562020 (021-300)	£194.53
EN6013	PISTON SET - +.020 (17731 HEPOLITE)	BT7-BJ8	1	8G2562020 (021-300)	£539.09
EN6014	PISTON SET - +.030 (17731 TYPE)	BT7-BJ8	1	8G2562030 (021-298)	£194.53
EN6015	PISTON SET - +.030 (17731 HEPOLITE)	BT7-BJ8	1	8G2562030 (021-298)	£532.00
EN6016	PISTON SET - +.040 (17731 TYPE)	BT7-BJ8	1	8G2562040 (021-297)	£199.66
EN6017	PISTON SET - +.060 (17731 TYPE)	BT7-BJ8	1	8G2562060 (021-299)	£199.66
EN6018	PISTON SET - COSWORTH FORGED (84.5/85MM)	BT7-BJ8	1	CENG611 OR 612	£1,029.00
EN6019	PISTON SET - OMEGA FORGED (83.5/84MM)	BN4-BJ8	1	CENG608 OR 610	£719.25
EN6020	PISTON RING SET - STD (ORIGINAL PISTONS)	BT7-BJ8	1	8G2522STD (567-180)	£72.24
EN6021	PISTON RING SET - STD (17731 PISTONS)	BT7-BJ8	1	8G2522STD (817-500)	£72.24
EN6022	PISTON RING SET - +.020 (ORIGINAL PISTONS)	BT7-BJ8	1	8G2522020 (021-321)	£72.24
EN6023	PISTON RING SET - +.020 (17731 PISTONS)	BT7-BJ8	1	8G2522020 (817-520)	£72.24
EN6024	PISTON RING SET - +.030 (ORIGINAL PISTONS)	BT7-BJ8	1	8G2522030 (021-322)	£72.24
EN6025	PISTON RING SET - +.030 (17731 PISTONS)	BT7-BJ8	1	8G2522030 (817-530)	£72.24
EN6026	PISTON RING SET - +.040 (ORIGINAL PISTONS)	BT7-BJ8	1	8G2522040 (021-323)	£72.24
EN6027	PISTON RING SET - +.040 (17731 PISTONS)	BT7-BJ8	1	8G2522040 (817-540)	£72.24
EN6028	PISTON RING SET - +.060 (ORIGINAL PISTONS)	BT7-BJ8	1	8G2522060 (021-324)	£72.24
EN6029	PISTON RING SET - +.060 (17731 PISTONS)	BT7-BJ8	1	8G2522060 (817-560)	£72.24
EN6030	GASKET - CYLINDER HEAD	BN4-BJ8	1	AEC875(528-036)	£21.50
EN6031	GASKET - CYLINDER HEAD (STEEL, COMPETITION)	BN4-BJ8	1	CENG602A	£253.50
EN6050	CONNECTING ROD - USED	BN4-BJ8	6	8G2339 (837-780/790)	£50.93
EN6051	STEEL CON ROD SET - H SECTION (FORGED)	BN4-BJ8	1	STEEL CRANK ONLY	£1,395.00
EN6052	RODS - STEEL CRANK (6 CYL) SET (WITH EN6157)	BN4-BJ8	1	CENG632R	£1,592.75
EN6060	BOLT - BIG END	BN4-BJ8	12	AEC2097 (021-632/3)	£11.98
EN6070	NUT - BIG END BOLT	BN4-BJ8	12	AEC328 (021-638)	£1.45
EN6071	NUT - BIG END BOLT (HEAVY DUTY)	BN4-BJ8	12	CENG606	£2.63
EN6080	BUSH - SMALL END (SET)	BN4-BJ8	1	AEC882 (829-018)	£10.45
EN6081	BUSH SET - SMALL END (GLACIER/VANDERVELL)	BN4-BJ8	1	AEC882 (829-018)	£37.80
EN6090	CYLINDER LINER	BT7-BJ8	6	AEC879 (021-304)	£21.95
EN6091	CYLINDER LINER	BN4-BN6	6	AEC607 (021-302)	£23.63

EN6

Engine 6 Cylinder

PART №	DESCRIPTION	APPLICATION	QTY	NOTES	PRICE
EN6100	BIG END BEARING SET - STD (REPRO)	BN4-BJ8	1	AJC5159 (550-350)	£43.35
EN6101	BIG END BEARING SET - +.010 (REPRO)	BN4-BJ8	1	AJC5159010 (550-351)	£43.35
EN6102	BIG END BEARING SET - +.020 (REPRO)	BN4-BJ8	1	AJC5159020 (550-352)	£43.35
EN6103	BIG END BEARING SET - +.030 (REPRO)	BN4-BJ8	1	AJC5159030 (021-033)	£43.35
EN6104	BIG END BEARING SET - +.040 (REPRO)	BN4-BJ8	1	AJC5159040 (021-034)	£50.45
EN6105	BIG END BEARING SET - +.040 (VANDERVELL)	BN4-BJ8	1	AJC5159040 (021-034)	£75.29
EN6106	BIG END BEARING SET - +.060 (REPRO)	BN4-BJ8	1	AJC5159060	£59.81
EN6107	BIG END BEARING SET - STD (STEEL CRANK)	BN4-BJ8	1		£55.11
EN6108	BIG END BEARING SET - +.030 (AE)	BN4-BJ8	1	AJC5159030	£75.29
EN6109	BIG END BEARING SET - +.060 (VANDERVELL)	BN4-BJ8	1		£134.60
EN6110	MAIN BEARING SET - STD	BN4-BJ8	1	8G2360 (550-435)	£48.95
EN6111	MAIN BEARING SET - +.010	BN4-BJ8	1	8G2360010 (550-436)	£48.95
EN6112	MAIN BEARING SET - +.020	BN4-BJ8	1	8G2360020 (021-045)	£48.95
EN6113	MAIN BEARING SET - +.030	BN4-BJ8	1	8G2360030 (021-046)	£55.68
EN6114	MAIN BEARING SET - +.040	BN4-BJ8	1	8G2360040 (021-047)	£55.68
EN6115	MAIN BEARING SET - STD (UK MADE)	BN4-BJ8	1	8G2360 (550-435)	£104.74
EN6117	MAIN BEARING SET - +.020 VANDERVELL	BN4-BJ8	1	8G2360 (VANDERVELL)	£96.60
EN6119	MAIN BEARING SET - +.060 (KING)	BN4-BJ8	1		£123.09
EN6120	THRUST WASHER SET - STD	BN4-BJ8	1	AEC2789 (555-130)	£6.85
EN6121	THRUST WASHER SET - +.005	BN4-BJ8	1	AEC2789005 (828-020)	£8.09
EN6122	THRUST WASHER SET - +.010	BN4-BJ8	1	AEC2789010	£9.03
EN6123	THRUST WASHER SET - +.005 (AE BRAND)	BN4-BJ8	1		£20.39
EN6128	STUD - MAIN BEARING CAP (COMPETITION)	BN4-BJ8	8	CENG630S	£10.19
EN6129	STUD - MAIN BEARING CAP (STD.)	BN4-BJ8	8	ENG630S (728-065)	£6.27
EN6130	NUT - MAIN BEARING CAP	BN4-BJ8	8	LNN208 (311-000)	£1.03
EN6131	NUT - FLYWHEEL BOLT	BN4-BJ8	4	AEC2040 (310-960)	£4.78
EN6132	NUT & WASHER SET - MAIN BEARING (HEAVY DUTY)	BN4-BJ8	1	CENG631 (322-898)	£21.16
EN6133	OIL RESTRICTORS - CRANKSHAFT	BN4-BJ8	6	CENG633B	£2.26
EN6140	CRANKSHAFT - REGROUND (EXCHANGE)	BN4-BJ8	1	AEC28R (021-352)	£304.50
EN6141	CRANKSHAFT - REGROUND (OUTRIGHT)	BN4-BJ8	1	AEC28 (021-352)	£603.59
EN6150	SPIGOT BUSH - CRANKSHAFT	BN4-BJ8	1	1K369 (021-360)	£2.80
EN6151	REAR CRANK SEAL CONVERSION KIT	BN4-BJ8	1	(833-415)	£44.10
EN6152	OIL SEAL - REAR CRANK	BN1-BJ8	1		£6.14
EN6153	STEEL WASHER - FLYWHEEL (12 BOLT CRANK)	BN4-BJ8	1	CENG635W	£22.05
EN6157	STEEL CRANKSHAFT	BN4-BJ8	1	CENG632K (8 BOLT FLYWHEEL)	£3,245.00
EN6159	THIN STARTER RING GEAR	BN4-BJ8	1	CENG635	£86.00
EN6160	STARTER RING GEAR	BN1-BJ8	1	1B1714 (021-635)	£34.13
EN6161	STEEL FLYWHEEL - 8 BOLT FIXING (FITS STD CRANK)	BN1-BJ8	1		£305.00
EN6162	STEEL FLYWHEEL - 12 BOLT FIXING	BN1-BJ8	1		£305.00
EN6164	FLYWHEEL - USED	BJ8	1		£117.60
EN6165	FLYWHEEL - LIGHTENED & BALANCED (EXCH.)	BJ7(E)29F4898-BJ8	1	CENG635AB (DIAPHRAGM CLUTCH)	£142.43
EN6166	FLYWHEEL - NEW (LIGHTENED & BALANCED C/W RING GEAR)	BN4-BJ8	1		£325.00
EN6167	STEEL FLYWHEEL 12 ORG HOLES	BN4-BJ8	1	CENG635SOT	£335.95
EN6170	LOCKWASHER - FLYWHEEL	BN4-BJ8	2	2K7552 (031-209)	£1.45
EN6171	WASHER - FLYWHEEL (HEAVY DUTY)	BN4-BJ8	4 OR 8	CENG637W	£4.79

Engine 6 Cylinder

PART №	DESCRIPTION	APPLICATION	QTY	NOTES	PRICE
EN6180	BOLT - FLYWHEEL	BN4-BJ8	4, 6 OR 8	AEC265 (322-190)	£1.50
EN6181	FLYWHEEL BOLT - ARP (12 BOLT STEEL CRANK)	BN4-BJ8	6		£5.41
EN6182	FLYWHEEL BOLT - CAPHEAD (12 BOLT STEEL CRANK)	BN1-BJ8	6	038100NFC	£0.79
EN6184	DOWEL - FLYWHEEL	BN4-BJ8	2	CENG635D	£1.43
EN6190	WOODRUFF KEY - CRANKSHAFT	BN4-BJ8	2	WKN608 (327-160)	£0.87
EN6200	CRANK GEAR - TIMING	BN1-BJ8	1	AEC2026 (021-367)	£29.65
EN6201	WASHER PACKING CRANK GEAR	BN1-BJ8	AR	2K8725	£0.95
EN6202	CRANK GEAR - TIMING (LIGHTENED)	BN1-BJ8	1	CENG640	£66.20
EN6210	SUPER DAMPER (CRANKSHAFT)	BN4-BJ8	1	CENG643	£347.25
EN6215	PULLEY - SUPER DAMPER (WITH EN6210)	BN4-BJ8	1	CENG643P	£96.00
EN6220	CRANK PULLEY & DAMPER - 3/8IN PULLEY	BN4-BJ8	1	(031-206)	£240.98
EN6221	CRANK PULLEY & DAMPER - EXCHANGE (1/2IN PULLEY)	BJ8	1	12B1274	£266.18
EN6222	OIL SEAL - STEEL CRANK	BN4-BJ8	1	CENG632S	£13.44
EN6230	LOCKWASHER - CRANKSHAFT NUT	BN4-BJ8	1	12B681 (837-090)	£3.50
EN6231	OIL THROWER	BN4-BJ8	1	1G838 (837-070)	£4.07
EN6240	NUT - CRANKSHAFT (STARTER DOG)	BN1-BJ8	1	AEC448 (031-204)	£15.50
EN6241	DAMPER - TIMING CHAIN	BN7 & BT7 MK2-BJ8	1	AEC2030 (832-250)	£17.75
EN6250	TIMING CHAIN	BN4-BJ8	1	AEC191 (600-090)	£8.57
EN6251	TIMING CHAIN - COMPETITION	BN4-BJ8	1	CENG648	£26.78
EN6252	TIMING CHAIN - COMPETITION (FULL RACE)	BN4-BJ8	1	CENG648R	£45.10
EN6260	CAM GEAR	BN4-BJ8	1	AEC482 (021-366)	£54.45
EN6262	CAM GEAR - LIGHTWEIGHT STEEL (VERNIER TYPE)	BN4-BJ8	1	CENG649V	£162.75
EN6270	TENSIONER - TIMING CHAIN	BN4-BJ8	1	37H7330 (011-139)	£7.65
EN6271	TENSIONER - TIMING CHAIN (HYDRAULIC)	BN4-BJ8	1	CENG650N4	£127.05
EN6280	LOCKWASHER - TENSIONER	BN4-BJ8	1	AEC340 (460-570)	£0.52
EN6290	LOCKWASHER - CAMSHAFT	BN4-BJ8	1	1B1219 (031-211)	£1.45
EN6300	NUT - CAMSHAFT	BN4-BJ8	1	AEC247 (310-950)	£2.48
EN6310	RETAINING PLATE - CAMSHAFT	BN4-BJ8	1	AEC810 (031-210)	£12.09
EN6311	THRUST PLATE - CAMSHAFT (STEEL)	BN1-BJ8	1	CENG654	£22.84
EN6320	WOODRUFF KEY - CAMSHAFT	BN4-BJ8	1	WKN606 (327-170)	£1.10
EN6330	CAMSHAFT - NEW	BN4-BJ8	1	AEC865 (851-290)	£350.00
EN6331	CAMSHAFT - NEW (FAST ROAD) PIPER	BN4-BJ8	1		£484.38
EN6332	CAMSHAFT - NEW (RALLY) PIPER	BN4-BJ8	1		£484.38
EN6333	CAMSHAFT - REPROFILED (EXCHANGE) PIPER	BN4-BJ8	1	AEC865R	£207.22
EN6334	CAMSHAFT - REPROFILED - OUTRIGHT	BN4-BJ8	1	AEC865	£325.00
EN6335	CAMSHAFT - REPROFILED (RALLY) PIPER (EXCHANGE)	BN4-BJ8	1		£197.35
EN6336	CAMSHAFT KIT - DWR2 (C/W BUCKET FOLLOWERS)	BN4-BJ8	1	CEN656/2	£630.33
EN6338	CAMSHAFT KIT - DWR8 (C/W STD. FOLLOWERS)	BN4-BJ8	1	CENG656/8	£680.93
EN6339	CAMSHAFT - REPROFILED (FAST ROAD) EXCHANGE	BN4-BJ8	1	AH3BP270	£207.22
EN6340	BEARING SET - CAMSHAFT	BN4-BJ8	1	AJC6042 (021-048)	£28.08
EN6345	CAMSHAFT LUBRICANT - 100ML	BN4-BJ8	1	CENG966	£3.41
EN6350	CAM FOLLOWER	BN4-BJ8	12	AEC264 (021-365)	£7.25
EN6352	CAM FOLLOWER - MODIFIED	BN4-BJ8	12	CENG660	£11.81
EN6353	CAM FOLLOWER - BUCKET TYPE	BN4-BJ8	12	12B1363	£4.35
EN6360	PUSH ROD	BN4-BJ8	12	ENG661N (021-396)	£2.63

EN6

Engine 6 Cylinder

PART No	DESCRIPTION	APPLICATION	QTY	NOTES	PRICE
EN6361	PUSH ROD - TUBULAR (CAR SET)	BN4-BJ8	1	CENG661	£226.25
EN6371	OIL SUMP	BN4-BJ8	1	AEC203 (021-143)	£178.45
EN6372	SUMP GUARD - ALLOY	BN1-BJ8	1	MSC500	£188.48
EN6375	OIL SUMP - ALLOY	BN4-BJ8	1		£169.99
EN6376	BAFFLE - SUMP (BOLT IN) ALLOY SUMP	BN4-BJ8	1	CENG665B	£88.88
EN6380	GASKET SET - OIL SUMP	BN4-BJ8	1	AEC205 (525-003)	£7.82
EN6385	DIP STICK	BN4-BJ8(E)29K-H278	1	AEC667	£39.99
EN6387	DIP STICK	BJ8(E)29K-H279 ON	1	12B771	£39.99
EN6390	WASHER - OIL SUMP & TIMING COVER	BN4-BJ8	25	2K5197 (324-765)	£0.18
EN6391	FELT PLUG - FRONT & REAR MAIN BRG. CAP	BN4-BJ8	4	AEC888	£2.55
EN6400	DRAIN PLUG - OIL SUMP	BN4-BJ8	1	2H4685 (328-460)	£2.96
EN6401	MAGNETIC DRAIN PLUG - OIL SUMP	BN1-BJ8	1	2H4685 (328-460)	£8.14
EN6410	WASHER - DRAIN PLUG	BN4-BJ8	1	6K431 (324-800)	£0.34
EN6420	OIL PUMP - GEAR TYPE	BN4-BJ8	1	AEC1341 (021-362)	£110.95
EN6421	OIL PUMP - ROTOR TYPE	BN4-BJ8	1		£134.53
EN6424	STRAINER - OIL PUMP (USED)	BN4-BJ8	1	AEC224	£56.50
EN6428	STUD - OIL PUMP	BN4-BJ8	3	AEC341	£2.35
EN6430	THRUST WASHER - OIL PUMP DRIVE	BN4-BJ8	1	AEC223 (021-422)	£4.41
EN6440	SPINDLE & WASHER - PUMP DRIVE	BN4-BJ8	1	AEC829 (031-216)	£89.78
EN6450	GEAR - DRIVING (OIL PUMP)	BN4-BJ8	1	1K105 (836-580)	£19.95
EN6460	SHAFT - DRIVING GEAR (OIL PUMP)	BN4-BJ8	1	AEC929 (021-426)	£11.25
EN6463	WOOD RUFF KEY - OIL PUMP GEAR & DYNAMO	BN1-BJ8	2		£0.85
EN6470	GEAR - DRIVEN (OIL PUMP)	BN4-BJ8	1	1K106 (031-214)	£19.95
EN6471	OIL PUMP - COMPETITION (GEAR TYPE)	BN4-BJ8	1	AEC1341 (021-362)	£227.33
EN6472	OIL PUMP - HIGH CAPACITY (ROTOR TYPE)	BN4-BJ8	1	ENG672M	£204.75
EN6480	SHAFT - DRIVEN GEAR (OIL PUMP)	BN4-BJ8	1	AEC928 (021-421)	£6.15
EN6481	WASHER - RUBBER (DIPSTICK)	BN4-BJ8	1	AEC671 (031-220)	£0.34
EN6490	VALVE - OIL PRESSURE RELEASE	BN4-BJ8	1	AEC283 (836-660)	£5.25
EN6500	SPRING - OIL PRESSURE RELEASE	BN4-BJ8	1	AEC284 (329-055)	£1.34
EN6510	OIL FILTER ELEMENT - FELT	BN4-BJ8	1	(800-012)	£8.50
EN6511	OIL FILTER ELEMENT - PAPER	BN4-BJ8	1	GFE104 (833-000)	£3.68
EN6520	SEAL - OIL FILTER BOWL	BN4-BJ8	1	7H28 (724-025)	£1.52
EN6521	FELT WASHER - OIL FILTER BOWL	BN4-BJ8	1	7H1758 (031-218)	£0.27
EN6530	SPRING - OIL FILTER BOWL	BN4-BJ8	1	7H1764 (329-230)	£1.26
EN6540	PLAIN WASHER - OIL FILTER BOWL	BN4-BJ8	1	7H1765 (435-565)	£0.24
EN6550	PLATE - OIL FILTER BOWL	BN4-BJ8	1	17H942 (435-155)	£8.95
EN6560	CIRCLIP - OIL FILTER BOWL	BN4-BJ8	1	17H2877 (326-205)	£0.45
EN6570	GASKET - OIL FILTER ADAPTER	BN4-BJ8	1	62B5 (021-115)	£0.46
EN6580	SEAL - BOLT TO FILTER BOWL	BN4-BJ8	1	17H1173 (021-439)	£1.85
EN6590	ADAPTER KIT - SPIN OFF FILTER (NOT TECALEMIT)	BN4-BJ8	1		£26.68
EN6591	OIL FILTER KIT - SPIN OFF (DIRECT TO BLOCK)	BN4-BJ8	1	(635-840)	£28.95
EN6593	BOLT - ADAPTOR - SPIN OFF FILTER (UNF)	BN4-BJ8	2		£0.63
EN6594	ADAPTER PLATE - SPIN ON OIL FILTER	BN1-BJ8	1		£32.50
EN6600	CANISTER FILTER - SPIN OFF TYPE	BN4-BJ8	1		£3.47
EN6601	CANISTER FILTER (HIGH CAPACITY) - SPIN OFF TYPE	BN1-BJ8	1		£5.95
EN6610	ROCKER SHAFT	BN4-BJ8	1	AEC127 (021-354)	£22.75

Engine 6 Cylinder

PART №	DESCRIPTION	APPLICATION	QTY	NOTES	PRICE
EN6611	ROCKER SHAFT - TUFRIDE HARDENED	BN4-BJ8	1	AEC127	£48.13
EN6615	ROLLER ROCKER KIT	BN4-BJ8	1	CENG702K	£980.18
EN6620	BUSH - ROCKER SHAFT	BN4-BJ8	12	11B511 (021-355)	£1.94
EN6630	ROCKER SHAFT ASSY. - RECONDITIONED (EXCH.)	BN4-BJ8	1		£138.10
EN6631	ROCKER SHAFT ASSY. - TUFRIDE HARDENED (EXCH.)	BN4-BJ8	1		£160.23
EN6640	SCREW - ROCKER ADJUSTING	BN4-BJ8	12	AEC2044 (031-230)	£10.25
EN6650	NUT - ROCKER ADJUSTING SCREW	BN4-BJ8	12	USE BR4380	
EN6670	SPRING - ROCKER ARM SPACING	BN4-BJ8	5	2K5923 (031-229)	£1.45
EN6674	SPACER - ROCKER ARM (LONG)	BN4-BJ8	3		£8.80
EN6675	SPACER - ROCKER ARM (SHORT) - DRILLED	BN4-BJ8	1		£8.65
EN6676	SPACER - ROCKER ARM (SHORT)	BN4-BJ8	1		£8.65
EN6680	ROCKER PEDASTAL - PLAIN	BN4-BJ8	5	11B121 (021-357)	£11.56
EN6690	ROCKER PEDASTAL - TAPPED HOLE	BN4-BJ8	1	AEC616 (021-358)	£25.95
EN6695	SHIM - 3MM (ROCKER PEDESTAL)	BN4-BJ8	AR	CENG707S	£1.98
EN6700	BANJO BOLT - OIL FEED	BN4-BJ8	1	AEC162 (835-220)	£3.53
EN6710	WASHER - BANJO BOLT	BN4-BJ8	2	AEC346 (324-760)	£0.63
EN6720	UNION - ROCKER OIL FEED PIPE	BN4-BJ8	1	AEC463 (835-225)	£2.57
EN6730	PIPE - OIL FEED	BN4-BJ8	1	AEC160 (839-090)	£15.32
EN6750	VALVE - INLET (INTEGRAL MANIFOLD)	BN4	6	AEC272 (021-020)	£5.20
EN6751	VALVE - INLET (INTEGRAL MANIFOLD)	BN4	6	AEC263 (537-087)	£5.90
EN6752	VALVE - INLET	BN4-BJ8	6	AEC724 (021-021)	£5.12
EN6753	VALVE - EXHAUST	BN4-BJ8	6	AEC915 (537-175)	£7.95
EN6754	VALVE - INLET (STELLITE TIP)	BN4-BJ8	6	CENG720S (021-021)	£17.38
EN6755	VALVE - EXHAUST (STELLITE TIP)	BN4-BJ8	6	CENG721S (537-175)	£16.19
EN6760	GUIDE - INLET VALVE	BN4-BJ8	6	AEC135 (538-022)	£1.71
EN6761	GUIDE - EXHAUST VALVE	BN4-BJ8	6	AEC245 (538-024)	£1.95
EN6762	GUIDE - INLET VALVE (BRONZE)	BN4-BJ8	6	AEC135	£5.55
EN6763	GUIDE - EXHAUST VALVE (BRONZE)	BN4-BJ8	6	AEC245	£5.46
EN6765	BRONZE VALVE GUIDE - INLET & EXHAUST	BN1-BJ8	12	CENG722	£12.89
EN6766	BRONZE VALVE GUIDE - 2MM OVERSIZE	BN1-BJ8	12		£14.44
EN6771	VALVE SPRING SET	BN4-BJ8	1	(021-029)	£19.69
EN6772	VALVE SPRING SET - COMPETITION	BN4-BJ8	1	CENG725	£165.86
EN6773	VALVE SPRING SET - HEAVEY DUTY	BN4-BJ8	1		£34.50
EN6790	BOTTOM COLLAR - VALVE SPRING	BN4-BJ8	12	1H726 (031-228)	£1.95
EN6800	CAP - VALVE SPRING	BN4-BJ8	12	AEC736 (831-540)	£2.90
EN6810	COLLETS - VALVE (PR)	BN4-BJ8	12	1K800 (460-210)	£3.95
EN6820	CLIP - VALVE COLLETS	BN4-BJ8	12	1K372 (326-120)	£0.55
EN6830	OIL SEAL - VALVE STEM	BN4-BJ8	12	AEK113 (290-900)	£0.11
EN6831	OIL SEAL - VALVE STEM - (TOP HAT TYPE)	BN1-BJ8	8 OR 12	CENG735 (SINGLE SPRING ONLY)	£1.31
EN6840	ROCKER COVER - ALLOY WITH QA CAP (ENGRAVED)	BN4-BJ8	1	(852-100)	£152.00
EN6841	ROCKER COVER - ALLOY WITH QA CAP (PLAIN)	BN4-BJ8	1	(852-100)	£139.75
EN6844	ROCKER COVER KIT - ALLOY (WORKS TYPE)	BN4-BJ8	1		£229.95
EN6846	ROCKER COVER - RIBBED (ALLOY)	BN4-BJ8	1	CENG736	£228.15
EN6850	FILLER CAP - QUICK RELEASE (TO SUIT EN6840)	BN1-BJ8	1		£21.75
EN6859	GASKET - ROCKER COVER (WORKS TYPE) RUBBER	BN4-BJ8	1	AEC1332	£15.49
EN6860	GASKET - ROCKER COVER	BN4-BJ8	1	GEG418 (529-103)	£4.30

EN6

Engine 6 Cylinder

PART №	DESCRIPTION	APPLICATION	QTY	NOTES	PRICE
EN6870	CAP NUTS - ROCKER COVER (S.S.)	BN4-BJ8	2	(310-910)	£10.19
EN6871	CAP NUTS - ROCKER COVER (CHROME)	BN4-BJ8	2	W/ORIG. STEEL COVER	£6.49
EN6880	CUP WASHER - ROCKER COVER (CHROME)	BN4-BJ8	2		£1.57
EN6890	RUBBER BUSH - ROCKER COVER	BN4-BJ8	2	AEC2178 (682-080)	£0.45
EN6900	T PIECE - ROCKER COVER (S.S.)	BN4-BJ8	1	AEC703 (794-010)	£31.65
EN6910	CUP WASHER - ROCKER COVER (STEEL)	BN4-BJ8	2	1A2156 (324-535)	£1.25
EN6915	CUP WASHERS - ROCKER COVER (S.S.) PR	BN4-BJ8	1		£8.95
EN6920	STUD - ROCKER COVER	BN4-BJ8	2	AEC491 (328-845)	£1.44
EN6930	STUD - ROCKER PEDESTAL (LONG)	BN4-BJ8	6	51K591 (328-905)	£1.73
EN6931	STUD - ROCKER PEDESTAL (SHORT)	BN4-BJ8	4	51K590 (328-915)	£2.52
EN6940	PLATE - AUSTIN (METAL)	BN4-BJ8	1	12A1205M (408-900)	£3.10
EN6941	PLATE - AUSTIN (SELF-ADHESIVE)	BN4-BJ8	1	(031-232)	£1.94
EN6950	PLATE .012 (METAL)	BN4-BJ8	1	12B1386 (408-910)	£4.95
EN6951	PLATE .012 (SELF-ADHESIVE)	BJ8	1	CRST154	£2.89
EN6955	RIVET - ROCKER COVER/CHASSIS PLATES	BN1-BJ8	AR	2A263	£0.50
EN6970	FILLER CAP - ROCKER COVER	BN4-BJ8	1	8G612 (460-100)	£6.25
EN6980	EXHAUST MANIFOLD - FRONT (USED)	BN4-BN4.68959	1	AEC1294, AEC72	£92.95
EN6981	EXHAUST MANIFOLD - REAR (USED)	BN4-BN4.68959	1	AEC73, AEC1295	£92.95
EN6984	EXHAUST MANIFOLD - FRONT (USED)	BN4.ENG40501-BJ8	1	AEC1377 (NOT TRI-CARB)	£136.95
EN6985	EXHAUST MANIFOLD - REAR (USED)	BN4.ENG40501-BJ8	1	AEC1378 (NOT TRI-CARB)	£136.95
EN6988	EXHAUST MANIFOLD - FRONT (USED)	BN7&BT7	1	AEC1495 (TRI-CARB)	£275.00
EN6989	EXHAUST MANIFOLD - REAR (USED)	BN7&BT7	1	AEC1496 (TRI-CARB)	£275.00
EN7000	STUD - HEAD TO MANIFOLD	BN4-BJ8	17	53K564 (724-095)	£1.50
EN7001	STUD INLET MANIFOLD TO CYL HEAD LONG	BN4-BJ8	2	53K563	£1.59
EN7002	LONG MANIFOLD STUD	6 CYL ALU HEAD	8	CENG796D	£1.65
EN7003	SHORT MANIFOLD STUD	6 CYL ALU HEAD	9	CENG796C	£1.15
EN7010	GASKET - MANIFOLD TO HEAD	BN4-BJ8	1	GEG624 (529-064)	£3.58
EN7011	GASKET SET - MANIFOLD (6 PORT HEAD)	BN4	1	(021-055)	£4.52
EN7019	STUD - CYLINDER HEAD - LONG (USED)	BN4-BN4.68959	8	AEC711	£8.50
EN7020	STUD - CYLINDER HEAD	BN4-BJ8	16	AEC604 (328-875)	£3.19
EN7021	STUD - CYLINDER HEAD (WAISTED)	BN4-BJ8	16	CENG760W	£7.14
EN7030	NUT - CYLINDER HEAD	BN4-BJ8	16	AEC139 (310-940)	£1.26
EN7031	NUT - CYLINDER HEAD (HEAVY DUTY)	BN4-BJ8	16	CENG562	£1.88
EN7040	WASHER - HEAD STUD	BN4-BJ8	16	PWN107 (324-475)	£0.08
EN7041	WASHER - CYLINDER HEAD (HEAVY DUTY)	BN4-BJ8	16	CENG762 (324-475)	£1.31
EN7050	PLUG - MAIN OIL GALLERY	BN4-BJ8	3	8G507	£3.41
EN7060	PLUG - OIL FILTER FEED HOLE	BN4-BJ8	1	AEC110 (928-045)	£6.72
EN7070	CORE PLUG - SMALL (SAUCER TYPE)	BN4-BN6	4	2K8160 (328-260)	£0.57
EN7071	CORE PLUG - SMALL (CUP TYPE)	BT7-BJ8	4	AEC876 (328-265)	£0.76
EN7080	CORE PLUG - LARGE (SAUCER TYPE)	BN4-BN6	5	2K8169 (328-230)	£0.67
EN7081	CORE PLUG - LARGE (CUP TYPE)	BT7-BJ8	5	AEH592 (328-235)	£0.95
EN7090	UNION - OIL GAUGE	BN4-BJ8	1	1G1814 (376-800)	£4.98
EN7120	STUD - THERMOSTAT HOUSING	BN4-BJ8	2	51K490 (328-910)	£0.55
EN7130	GASKET - REAR TAPPET COVER	BN4-BJ8	2	12A1139 (296-370)	£1.29
EN7136	SIDE COVER - TAPPET - FRONT (USED)	BN4-BJ8	1	AEC689	£16.45
EN7138	SIDE COVER - TAPPET - REAR (USED) WITH BREATHER	BN4-BJ8	1	AEC436 / AEC993	£21.45

Engine 6 Cylinder

PART №	DESCRIPTION	APPLICATION	QTY	NOTES	PRICE
EN7140	DYNAMO BRACKET/TAPPET COVER (USED)	BN4-BJ7	1	AEC689 (835-245)	£65.45
EN7141	DYNAMO BRACKET/TAPPET COVER (USED)	BJ8	1	AEC2077 (835-280)	£65.45
EN7150	DRAIN TAP - CYLINDER BLOCK	BN4-BJ8	1	3H2502 (835-630)	£24.95
EN7160	BRASS UNION - MANIFOLD DRAINPIPE (NOT TRI-CARB)	BN6-BJ8	2	AEC450 (021-431)	£1.93
EN7170	DRAIN TUBE & NUT - MANIFOLD (NOT TRI-CARB)	BN1-BJ8	2	AEC449 (794-020)	£8.14
EN7176	FRONT PLATE - STEEL (USED)	BN4-BJ8	1	AEC2032	£64.50
EN7180	TIMING COVER (USED)	BN4-BJ8	1	AEC1011	£88.00
EN7181	INSPECTION TIMING COVER (EXCHANGE)	BN4-BJ8	1	CENG780	£120.00
EN7189	WASHER - TIMING COVER	BN4-BJ8	7	2K7440	£0.65
EN7190	GASKET - TIMING COVER	BN4-BJ8	1	AEC202 (697-380)	£1.05
EN7200	OIL SEAL - TIMING COVER	BN4-BJ8	1	AEC621 (535-111)	£2.95
EN7210	BANJO BOLT - OIL FEED (TACHO) TACHO END	BN4-BJ7	1	AEC796 (021-933)	£8.25
EN7220	BRASS NUT - MANIFOLD TO HEAD	BN4-BJ8	17	AEC350 (310-985)	£1.15
EN7221	BRASS NUT - MANIFOLD TO HEAD (EXTRA LONG)	BN4-BJ8	17	AEC350	£1.16
EN7230	GASKET - DYNAMO BRACKET	BN4-BJ8	1	AEC313 (697-390)	£0.64
EN7240	BOLT - INLET TO EXHAUST MANIFOLD	BT7-BJ8	4	HBZ526 (320-595)	£0.95
EN7250	BANJO BOLT - OIL FEED (TACHO) CRANK END	BN4-BJ7	1	AEC682 (021-934)	£6.95
EN7260	OIL SEAL - DISTRIBUTOR DRIVE	BN4-BJ8	1	AEC681 (031-813)	£2.10
EN7270	OIL SEAL - TACHO DRIVE	BN1-BJ7	1	3H964 (520-440)	£3.25
EN7275	RETAINING RING - TACHO SEAL	BN4-BJ8	1	ENG789B	£11.85
EN7280	RUBBER ELBOW - BREATHER PIPE	BN4-BJ8	1	12B704 (280-180)	£3.95
EN7290	RUBBER - STRAIGHT (BREATHER PIPE)	BN4-BJ8	1	12B703 (834-360)	£1.30
EN7300	BREATHER PIPE	BN4-BJ8	1	AEC702 (021-427)	£11.08
EN7301	BREATHER HOSE - FILTER TO COVER	BN4-BJ8	1	1G2268 (834-350)	£4.25
EN7302	CLIP - BREATHER HOSE (WIRE TYPE)	BN1-BJ8	6	AEC442	£0.90
EN7310	PIPE ASSY - OIL FEED	BN4-BJ7	1	AEC687 (021-260)	£33.20
EN7320	GASKET - HOT SPOT (INLET TO EXHAUST)	BN7&BT7	3	AEC2056 (TRI-CARB)	£1.29
EN7330	GASKET - INLET TO EXHAUST MANIFOLD	BN4-BJ8	2	AEC950 (021-429)	£1.50
EN7340	TAP - HEATER CONTROL (CYL. HEAD)	BN4-BJ8	1	2H4933 (835-620)	£59.25
EN7350	ENGINE MOUNTING	BN4-BJ8	2	ACB9407 (021-341)	£8.75
EN7353	SHIM - ENGINE MOUNTING (1MM)	BN1-BJ8	AR	1B1315	£3.95
EN7354	SHIM - ENGINE MOUNTING (1.5MM)	BN1-BJ8	AR	1B1314	£4.15
EN7360	REBOUND - ENGINE MOUNTING	BN4-BJ8	2	1B4428 (021-342)	£4.25
EN7370	BRACKET SET RH - ENGINE MTG. (UPRATED)	BN4-BJ8	1		£79.95
EN7371	BRACKET SET LH - ENGINE MTG. (UPRATED)	BN4-BJ8	1		£79.95
EN7380	BANJO BOLT WASHERS - OIL FEED (TACHO) CRANK END	BN4-BJ7	1	11B206 (324-605)	£1.18
EN7400	FLEXIBLE PIPE - OIL PRESSURE	BN4-BJ8	1	8G637 (021-711)	£11.20
EN7410	BRASS LEVER - HEATER TAP	BN4-BJ8	1		£2.57
EN7420	PIPE - OIL PRESSURE TO GAUGE (RHD)	BN4-BJ7	1	11B2188	£12.40
EN7421	PIPE - OIL PRESSURE TO GAUGE (RHD)	BJ8	1	AHB6895	£12.33
EN7422	PIPE - OIL PRESSURE TO GAUGE (LHD)	BN4-BJ8	1	11B2186 (836-630)	£15.35
EN7425	END FITTINGS - OIL PRES. PIPE	BN1-BJ8	1		£3.50
EN7430	ENGINE PAINT - 1 LITRE TIN	BN4-BJ8	1		£12.85
EN7431	ENGINE PAINT - 1/2 LITRE TIN	BN1-BJ8	AR		£14.28
EN7433	ENGINE PAINT - DAMASK RED (1/2 LITRE TIN) WORKS CARS	BN4-BJ8	1		£13.39

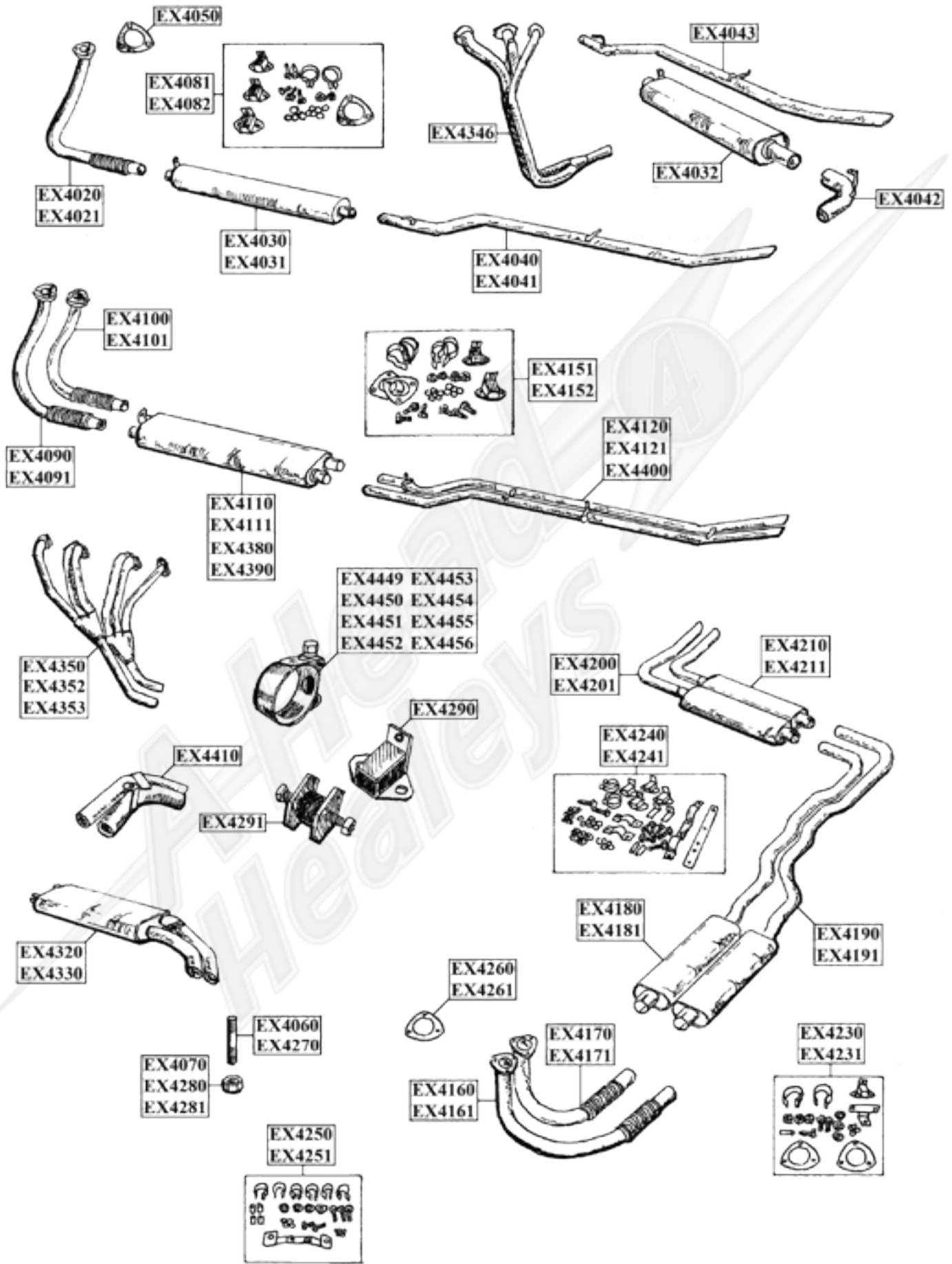
EN6

Engine 6 Cylinder

PART №	DESCRIPTION	APPLICATION	QTY	NOTES	PRICE
EN7470	ENGINE PAINT - AEROSOL	BN1-BJ8	AR		£10.34
EN7480	CLIP - OIL PIPE	BN4-BJ8	1	2K5215 (182-600)	£0.70
EN7499	CYLINDER HEAD - GALLERY TYPE - RECON EXCH	BN4-BN4.68959	1	UNLEADED	£545.55
EN7500	CYLINDER HEAD - RECON. (UNLEADED) EXCH.	BN4-BJ8	1		£732.55
EN7501	CYLINDER HEAD - ALUMINIUM (C/W VALVES)	BN4-BJ8	1	5 AXIS CNC PORTED	£2,403.71
EN7505	CYLINDER HEAD - ALUMINIUM (C/W VALVES) FAST ROAD	BN4-BJ8	1	5 AXIS CNC PORTED	£3,008.93
EN7506	CYLINDER HEAD - ALUMINIUM (C/W VALVES) FULL RACE	BN4-BJ8	1	5 AXIS CNC PORTED	£3,291.17
EN7515	STUD KIT - ALUMINIUM CYL. HEAD	BN4-BJ8	1	CENG999S	£47.75
EN7540	ADJUSTING STRAP - DYNAMO	BN4-BJ8	1	AEC238 (031-406)	£8.75
EN7542	PILLAR - DYNAMO ADJUSTING STRAP (USED)	BN4-BJ8	1	AEC293	£8.25
EN7550	BLOCK OIL WAY REPAIR	BN4-BJ8	1		£75.58
EN7551	DRILL KIT - BLOCK OIL WAY REPAIR	BN4-BJ8	1		£105.89
EN7555	PLATE - ENGINE MOUNTING (FRONT) USED	BJ8	1	AEC2032	£60.38

Exhaust

EX



Exhaust

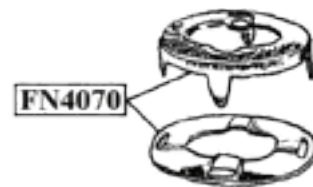
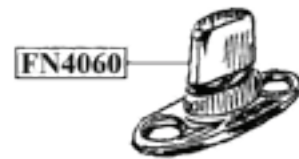
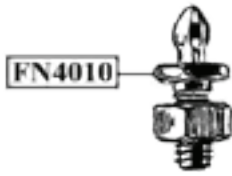
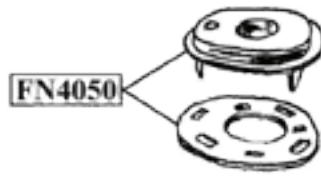
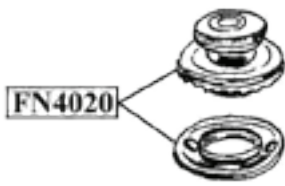
PART №	DESCRIPTION	APPLICATION	QTY	NOTES	PRICE
EX4020	FRONT PIPE - M.S.	BN1-BN2	1	1B2954 (021-125)	£29.20
EX4021	FRONT PIPE - S.S.	BN1-BN2	1		£45.36
EX4026	EXHAUST Y PIECE - M.S.	100M	1	CEXS102Y	£154.95
EX4030	SILENCER BOX - M.S.	BN1-BN2	1	1B2705 (021-126)	£45.75
EX4031	SILENCER BOX - S.S.	BN1-BN2	1		£84.24
EX4032	SILENCER - BIG BORE (M.S.)	100M	1	CEXS104	£216.85
EX4033	SILENCER - BIG BORE (S.S.)	BN1-BN2	1		£250.00
EX4040	TAIL PIPE - M.S.	BN1-BN2	1	1B2706 (021-127)	£26.75
EX4041	TAIL PIPE - S.S.	BN1-BN2	1		£45.36
EX4042	TAIL PIPE - SIDE EXIT (M.S.)	100M	1	CEXS104S	£40.16
EX4043	TAILPIPE - BIG BORE - REAR EXIT	100M	1	CEXS104T	£105.57
EX4044	EXHAUST MANIFOLD - TUBULAR (S.S.)	BN1-BN2	1		£513.50
EX4045	SILENCER - REAR EXIT (S.S.)	BN1-BN2	1	USE WITH EX4044	£180.00
EX4046	TAILPIPE - REAR EXIT (S.S.)	BN1-BN2	1	USE WITH EX4044	£79.50
EX4047	SILENCER - SIDE EXIT (S.S.)	BN1-BN2	1	USE WITH EX4044	£248.06
EX4050	GASKET - PIPE TO MANIFOLD	BN1-BN2	1	1B1403 (529-024)	£2.27
EX4060	BRASS NUT - PIPE TO MANIFOLD	BN1-BN2	3	2K4051 (311-015)	£0.88
EX4070	STUD - MANIFOLD TO PIPE	BN1-BN2	3	2K7708 (328-795)	£0.75
EX4080	CLAMP - 1.3/4IN	BN1-BN2	2	USE EX4451	
EX4082	EXHAUST MOUNTING KIT	BN1-BN2	1		£16.33
EX4090	FRONT PIPE - FRONT - M.S.	BN4-BJ7	1	11B2120 (610-099)	£24.25
EX4091	FRONT PIPE - FRONT - S.S.	BN4-BJ7	1		£40.99
EX4100	FRONT PIPE - REAR - M.S.	BN4-BJ7	1	11B2122 (610-104)	£24.25
EX4101	FRONT PIPE - REAR - S.S.	BN4-BJ7	1		£40.99
EX4110	SILENCER BOX - M.S.	BN4-BJ7	1	11B2356 (610-108)	£42.55
EX4111	SILENCER BOX - S.S.	BN4-BJ7	1		£129.06
EX4120	TAIL PIPE - M.S.	BN4-BJ7	1	11B2357 (610-110)	£31.35
EX4121	TAIL PIPE - S.S.	BN4-BJ7	1		£85.86
EX4130	COMPLETE SYSTEM - M.S.	BN4-BJ7	1		£113.85
EX4140	CLAMP (1.7/8IN) - F.PIPE/SILENCER	BN4-BJ7	2	GEX7075	£1.85
EX4150	CLAMP (1.1/2IN) - T.PIPE/SILENCER	BN4-BJ7	2	GEX7076	£1.83
EX4152	EXHAUST MOUNTING KIT	BN4-BJ7	1		£26.05
EX4160	FRONT PIPE - FRONT - M.S.	BJ8	1	AHB6009 (021-128)	£27.50
EX4161	FRONT PIPE - FRONT - S.S.	BJ8	1		£36.18
EX4170	FRONT PIPE - REAR - M.S.	BJ8	1	AHB6006 (021-129)	£27.50
EX4171	FRONT PIPE - REAR - S.S.	BJ8	1		£36.18
EX4180	SILENCER & PIPE - INNER - M.S.	BJ8	1	ARB97 (610-258)	£69.50
EX4181	SILENCER & PIPE - INNER - S.S.	BJ8	1		£116.10
EX4190	SILENCER & PIPE - OUTER - M.S.	BJ8	1	ARB98 (610-257)	£69.50
EX4191	SILENCER & PIPE - OUTER - S.S.	BJ8	1		£116.10
EX4200	REAR SILENCER - INNER - M.S.	BJ8	1	ARB99 (610-260)	£49.50
EX4201	REAR SILENCER - INNER - S.S.	BJ8	1		£64.80
EX4210	REAR SILENCER - OUTER - M.S.	BJ8	1	ARB100 (610-259)	£49.50
EX4211	REAR SILENCER - OUTER - S.S.	BJ8	1		£64.80
EX4231	EXHAUST MOUNTING KIT - FRONT	BJ8	1		£19.90
EX4241	EXHAUST MOUNTING KIT - INTERMEDIATE	BJ8	1		£30.50
EX4251	EXHAUST MOUNTING KIT - REAR	BJ8	1		£27.65

Exhaust

PART №	DESCRIPTION	APPLICATION	QTY	NOTES	PRICE
EX4260	GASKET - PIPE TO MANIFOLD	BN4-BJ8	2	GEG706 (529-017)	£2.35
EX4261	GASKET - PIPE TO MANIFOLD	BN4-BJ8	2	GEG706 (529-017)	£3.55
EX4270	STUD - MANIFOLD TO PIPE	BN4-BJ8	6	53K507 (328-900)	£0.45
EX4280	BRASS NUT - MANIFOLD TO PIPE	BN4-BJ8	6	BNN105 (311-540)	£0.25
EX4281	BRASS NUT - MANIFOLD TO PIPE (EXTRA LONG)	BN1-BJ8	6		£1.18
EX4290	RUBBER MOUNTING BRACKET	BN4-BJ8	3 OR 5	GEX7155 (614-008)	£1.65
EX4291	EXHAUST MOUNTING BOBBIN - HEAVY DUTY	BN1-BJ8	3 OR 5	CEXS173A	£4.41
EX4292	EXHAUST MOUNTING KIT - SIDE EXIT SILENCER	BN4-BJ7	1	CEXS173A (HEAVY DUTY)	£14.65
EX4300	CHROME EXHAUST TRIM - STRAIGHT	BN1-BN2	1		£5.19
EX4301	EXHAUST TRIM - STRAIGHT - STAINLESS STEEL	BN4-BJ7	2		£6.99
EX4302	CHROME EXHAUST TRIM - STRAIGHT	BJ8	2		£6.15
EX4310	CHROME EXHAUST TRIM - CURVED	BJ8	2		£4.40
EX4320	SIDE EXIT SILENCER - MILD STEEL	BJ8	1	CEXS127	£375.00
EX4330	SIDE EXIT SILENCER - MILD STEEL	BN4-BJ7	1		£375.00
EX4346	EXHAUST MANIFOLD - TUBULAR STEEL	100M	1	CEXS102	£340.35
EX4350	EXH. MANIFOLD - S.S. PERFORMANCE (WITH EX4360)	BJ8	1		£561.99
EX4352	EXHAUST MANIFOLD - M.S. (6 BRANCH) SU CARB	BN4-BJ8	1	CEXS120	£545.27
EX4353	EXHAUST MANIFOLD - M.S. (6 BRANCH) TRIPLE WEBER	BN4-BJ8	1	CEXS120R	£464.50
EX4354	EXHAUST MANIFOLD - TRIPLE CARB	BN4-BJ8	1	CEXS120RS (RALLY)	£632.20
EX4360	EXHAUST SILENCER & TAIL PIPES - S.S. (SIDE EXIT)	BJ8	1	USE WITH EX4350	£229.50
EX4370	EXHAUST SYSTEM - S.S. (WITH EX4350)	BJ8	1		£391.05
EX4380	SILENCER BIG BORE - M.S. (WITH EX4420)	BN4-BJ8	1	CEXS127S	£388.00
EX4381	SILENCER - DOOR MOUNTED	BN4-BJ8	1	CEXS127RS	£583.85
EX4390	SILENCER - BIG BORE - S.S.	BN4-BJ7	1		£129.50
EX4400	TAIL PIPE - BIG BORE - S.S.	BN4-BJ7	1		£74.95
EX4410	SIDE EXIT PIPE - BIG BORE - S.S.	BN4-BJ7	1		£94.60
EX4411	EXHAUST SYSTEM - BIG BORE (SS)	BN4-BJ7	1		£320.00
EX4419	TAIL PIPES (PR) - M.S. PLAIN ENDS (WITH EX4380)	BN4-BJ8	1		£246.63
EX4420	TAIL PIPES (PAIR) - M.S. WITH S.S. ENDS (WITH EX4380)	BN4-BJ8	1	CEXS127TTS	£324.45
EX4430	SPORTS EXHAUST SYSTEM - S.S.	BJ8	1		£463.00
EX4449	SUPER CLAMP - 37-40MM (STAINELSS STEEL)	BN1-BJ8	AR		£2.25
EX4450	SUPER CLAMP - 40-43MM (STAINELSS STEEL)	BN1-BJ8	AR		£1.95
EX4451	SUPER CLAMP - 43-47MM (STAINELSS STEEL)	BN1-BJ8	AR		£2.35
EX4452	SUPER CLAMP - 47-51MM (STAINELSS STEEL)	BN1-BJ8	AR		£2.05
EX4453	SUPER CLAMP - 51-55MM (STAINELSS STEEL)	BN1-BJ8	AR		£2.35
EX4455	SUPER CLAMP - 59-63MM (STAINELSS STEEL)	BN1-BJ8	AR	CEXS132	£2.57
EX4456	SUPER CLAMP - 63-68MM (STAINELSS STEEL)	BN1-BJ8	AR	CEXS130/63	£3.25
EX4470	EXHAUST WRAP - 1IN x 50FT ROLL	BN1-BJ8	AR	GAC154	£43.50
EX4471	EXHAUST WRAP - 2IN x 50FT ROLL	BN1-BJ8	AR	GAC156	£67.50
EX4475	SEALANT - ULTRA COPPER (LOCTITE)	BN1-BJ8	1	CEXS950	£11.15

EX

Fasteners

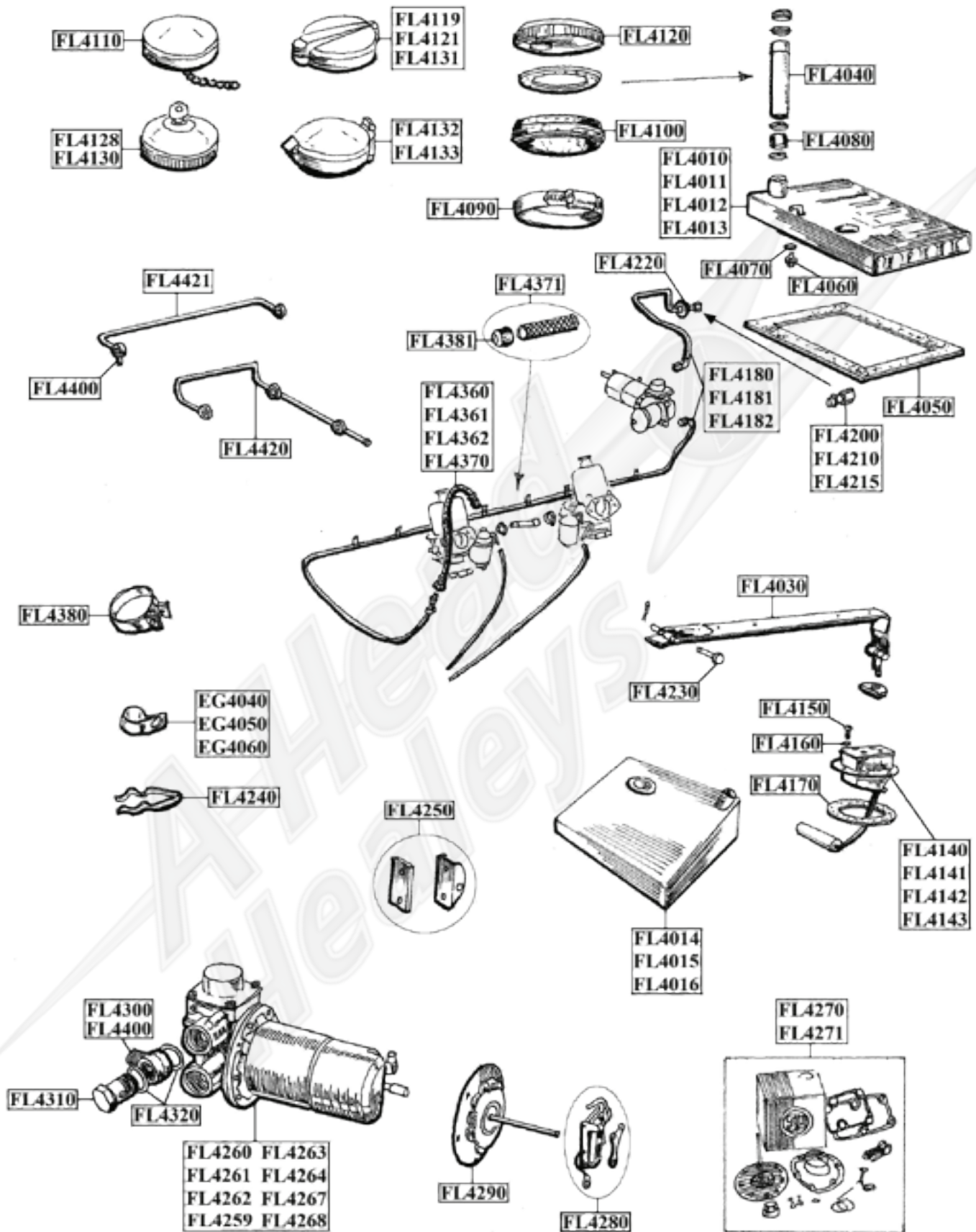


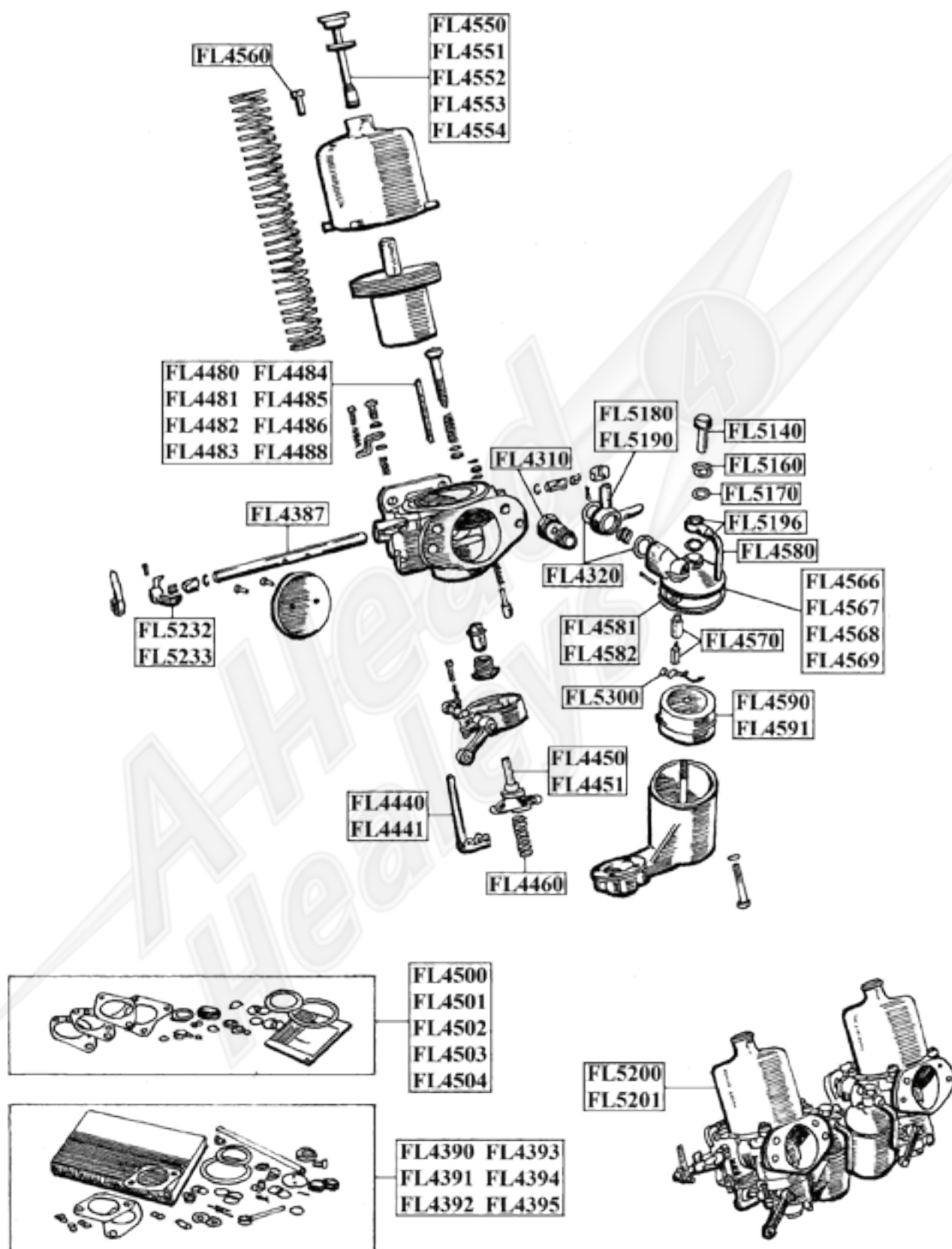
Fasteners

PART №	DESCRIPTION	APPLICATION	QTY	NOTES	PRICE
FN4010	TENAX STUD - WITH NUT	BN1-BJ8	AR	TFP1006 (227-700)	£0.45
FN4015	TENAX STUD - LONG SHANK - WITH NUT	BJ7-BJ8	2		£1.95
FN4020	TENAX TOP - WITH PLATE	BN1-BJ8	AR	TFS106 (227-600)	£1.39
FN4030	LEATHER WASHER	BN1-BJ8	AR	2K4936 (435-515)	£0.18
FN4040	LIFT A DOT STUD - WITH NUT	BN1-BJ8	AR	LFP1006 (226-600)	£0.46
FN4050	LIFT A DOT PLATE - ASSY	BN1-BJ8	AR	LFS107100 (226-308)	£0.57
FN4060	TURN BUTTON	BN1-BJ8	AR	14A6536 (227-500)	£0.64
FN4070	EYELET - TURN BUTTON	BN1-BJ8	AR	14A5378 (227-408)	£0.54
FN4080	BUTTON SNAP	BN1-BJ8	AR	7H9864 (227-108)	£0.29
FN4090	SOCKET - BUTTON SNAP	BN1-BJ8	AR	7H9866 (226-720)	£0.29
FN4100	STUD - BUTTON SNAP	BN1-BJ8	AR	ADB4811 (226-720)	£0.18
FN4110	CLIP - REAR HOOD RETAINING	BJ7-BJ8	36	14A4497 (326-185)	£0.10
FN4112	CHROME FINISHER - HIDEM BANDING (HOOD & SEATS)	BN1-BJ8	2 OR 4		£2.15
FN4120	TENAX STUD - LONG THREAD 1IN - WITH NUT	BN1-BJ8	AR	NON-STD	£0.75
FN4130	TENAX STUD - WOOD THREAD	BN1-BJ8	AR	NON-STD	£0.57
FN4140	LIFT A DOT STUD - WOOD THREAD	BN1-BJ8	AR	NON-STD	£0.63
FN4150	SPLIT PIN PACK - 175 PIECE	BN1-BJ8	AR	BXP1101	£3.75

FN

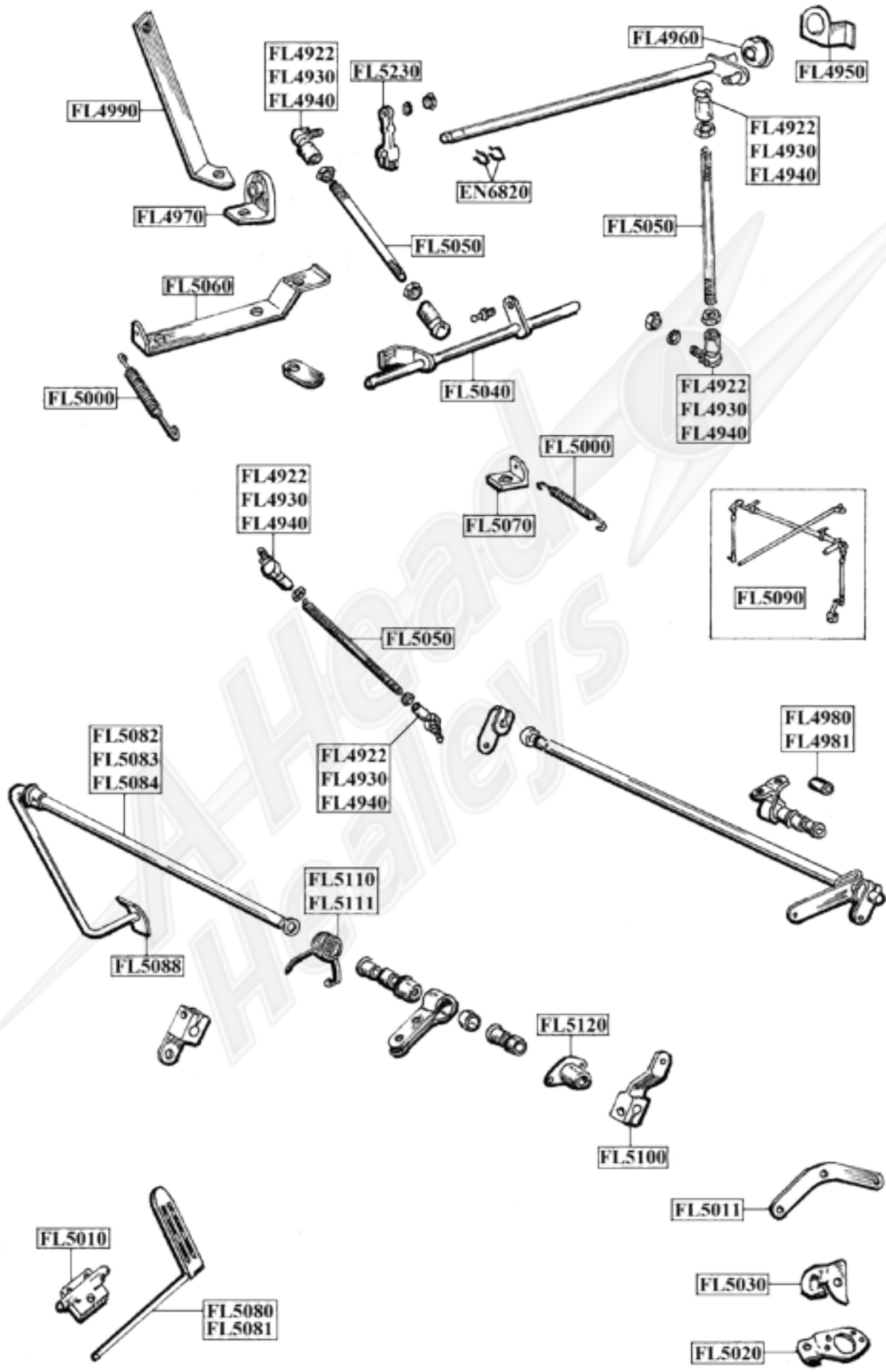
Fuel

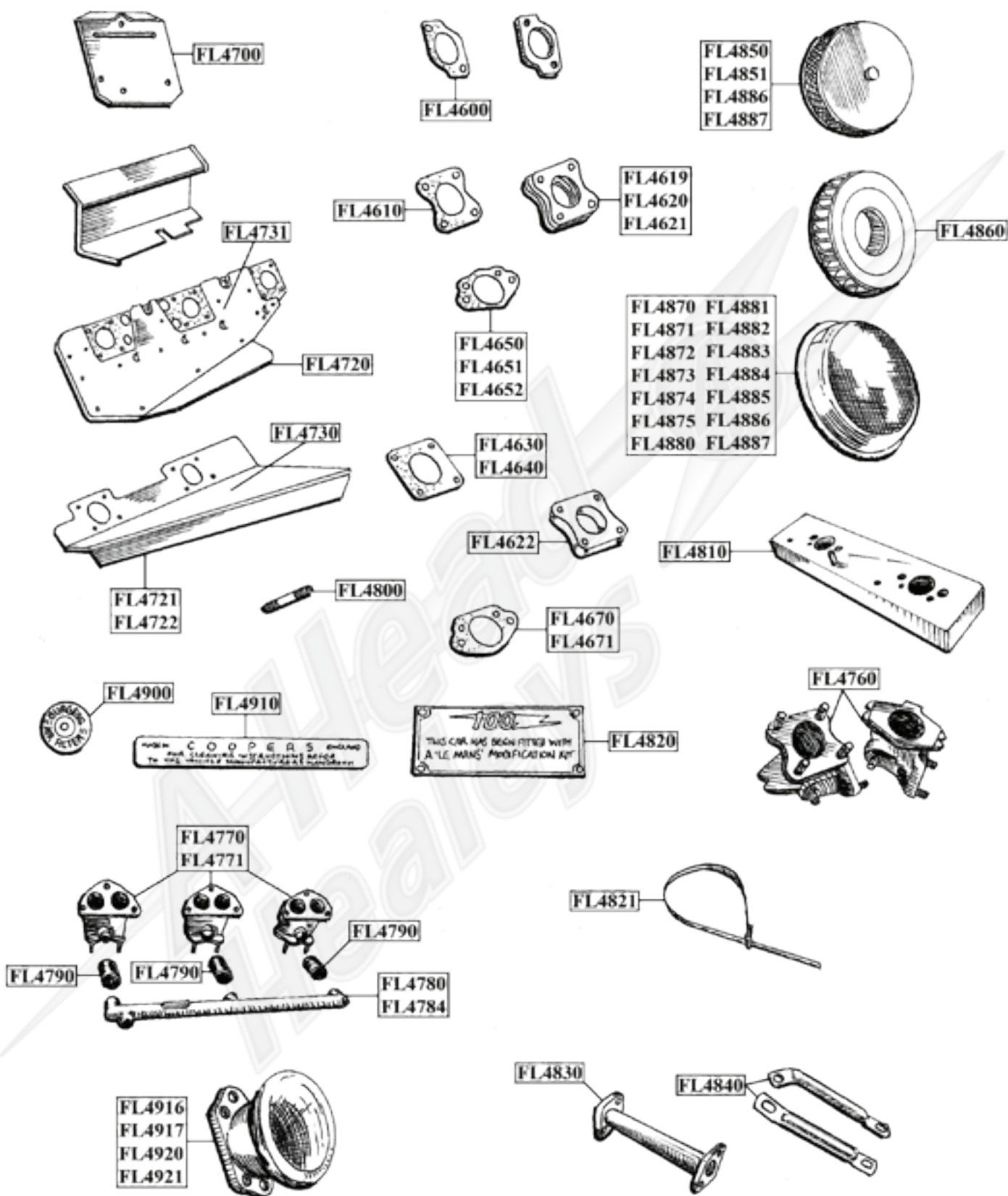




FL

Fuel





FL

Fuel

PART No	DESCRIPTION	APPLICATION	QTY	NOTES	PRICE
FL4010	PETROL TANK	BN1-BN2	1	1B2574 (849-070)	£256.45
FL4011	PETROL TANK - ALUMINIUM	BN1-BN2	1	(849-075)	£252.00
FL4012	PETROL TANK	BN4-BJ8	1	11B2375 (021-800)	£230.48
FL4013	PETROL TANK - ALUMINIUM	BN4-BJ8	1	(021-825)	£234.50
FL4014	RALLY FUEL TANK - ALLOY (70 LITRE)	BN4-BJ8	1		£519.75
FL4015	PETROL TANK - ALUMINIUM (FOAM FILLED)	BN1-BN2	1	CFUL101A	£658.09
FL4016	PETROL TANK - ALUMINIUM (FOAM FILLED)	BN4-BJ8	1	CFUL102A	£476.18
FL4017	ALUMINIUM BLANKING PLATE - SENDER UNIT	BN1-BJ8	1	CFUL120C	£20.25
FL4030	STRAP - PETROL TANK	BN4-BJ8	2	11B2137 (851-310)	£18.94
FL4031	STRAPS - ALUMINIUM (PAIR) - COMPETITION TANK	BN1-BJ8	1	CFUL102S	£49.95
FL4032	'D' WASHER - TANK STRAP FITTING	BN1-BJ8	2	14B2036	£2.82
FL4040	FILLER NECK TUBE	BN4-BJ8	1	AHB8315 (021-899)	£25.20
FL4050	SEAL - TANK MOUNTING	BN4-BJ8	1	14B6632 (682-400)	£4.70
FL4060	DRAIN PLUG	BN4-BJ8	1	88G257 (328-280)	£1.75
FL4070	WASHER - DRAIN PLUG	BN4-BJ8	1	6K638 (324-626)	£0.25
FL4080	RUBBER TUBE - FILLER TO TANK	BN4-BJ8	1	11B2011 (282-620)	£4.80
FL4090	CLAMP - FILLER TUBE	BN4-BJ8	2	GHC1622 (326-280)	£0.72
FL4100	GROMMET - FILLER NECK/BODY	BN4-BJ8	1	11G2100 (280-165)	£2.15
FL4110	FILLER CAP	BN1-BN2	1	1B2782 (834-860)	£22.10
FL4119	FUEL CAP (MONZA) - ALLOY 2.5IN	BN4,BT7,BJ7-BJ8	1	MONZA CAP (INCL. COLLAR)	£155.95
FL4120	FILLER CAP	BN4-BJ8	1	18G8601 (202-750)	£6.25
FL4121	FUEL CAP (MONZA) - CHROME 2.5IN (INCLUDES COLLAR)	BN4-BJ8	1		£99.49
FL4128	FILLER CAP - LOCKING (CHROME)	BN1-BJ8	1	FUL115	£20.21
FL4130	FILLER CAP - LOCKING - STAINLESS STEEL	BN4-BJ8	1	GSS154 (202-760)	£15.70
FL4131	FUEL CAP (MONZA) - LOCKING - CHROME 2.5IN	BN4-BJ8	1		£108.65
FL4132	FUEL CAP (ASTON) - LOCKING - CHROME 2.5IN	BN1-BJ8	1		£91.30
FL4133	FUEL CAP - ASTON (REPRO) CHROME (USE WITH FL4130)	BN4-BJ8	1		£31.45
FL4134	MONZA CAP - LOCKING - (ALUMINIUM) 2.5IN	BN4-BJ8	1		£164.95
FL4135	FUEL CAP - ASTON (REPRO) ALUMINIUM (USE WITH FL4130)	BN4-BJ8	1		£41.95
FL4140	SENDER UNIT - EXCHANGE ONLY	BN1-BJ7	1	1B2736	£67.27
FL4141	SENDER UNIT - NEW - OUTRIGHT SALE	BN1-BJ7	1	1B2736 (021-570)	£49.95
FL4142	SENDER UNIT - EXCHANGE ONLY	BJ8	1	BHA4435	£67.27
FL4143	SENDER UNIT - NEW - OUTRIGHT SALE	BJ8	1	BHA4435 (021-571)	£47.24
FL4150	SCREW - SENDER UNIT	BN1-BJ8	6	53K165 (323-030)	£0.69
FL4160	COPPER WASHER - SENDER UNIT	BN1-BJ8	6	2A2088 (725-040)	£0.28
FL4170	GASKET - SENDER UNIT	BN1-BJ8	1	2H1082 (293-415)	£0.35
FL4180	FUEL PIPE KIT - COPPER	BN1-BN2	1		£32.25
FL4181	FUEL PIPE KIT - COPPER	BN4-BT7	1		£39.00
FL4182	FUEL PIPE KIT - COPPER	BJ7-BJ8	1		£39.01
FL4200	END FITTING - PETROL PIPE	BN4-BJ8	1		£2.65
FL4210	END FITTING - PETROL PIPE	BN1-BN2	1		£2.04
FL4215	END FITTING - PETROL PIPE (MALE)	BN1-BJ8	AR		£2.25
FL4220	GROMMET - REAR BULKHEAD PIPE	BN4-BJ8	1	8D5768 (240-515)	£1.95
FL4230	CLEVIS PIN - TANK STRAP	BN1-BJ8	2	53K3061 (021-919)	£0.72
FL4240	CLIP - FUEL PIPE TO CHASSIS	BN1-BJ8	7	2K8910 (326-345)	£0.75

Fuel

PART №	DESCRIPTION	APPLICATION	QTY	NOTES	PRICE
FL4250	BRACKET & PLATE - TANK STRAP	BN7-BJ8	2	14B1884 (021-868)	£5.51
FL4254	ELBOW - FUEL PUMP	BN4 60413 BN6 - BJ8 28334	1	127464	£16.65
FL4255	PETROL PUMP - DOUBLE (ELEC./NEG. EARTH)	BN4.68960-BJ8	1		£205.60
FL4259	PETROL PUMP - NEG. EARTH (ELECTRONIC)	BN1-BN4.60413	1		£108.41
FL4260	PETROL PUMP - DUAL POLARITY	BN1-BN4.60413	1	AUB182 (377-040)	£88.45
FL4261	PETROL PUMP - POS EARTH (ELECTRONIC)	BN1-BN4.60413	1		£104.95
FL4262	PETROL PUMP - DUAL POLARITY	BN4.60414-BJ8	1	AUF305 (377-160)	£107.85
FL4263	PETROL PUMP - POS EARTH (ELECTRONIC)	BN4.60414-BJ8	1		£118.75
FL4264	PETROL PUMP - NEG EARTH (ELECTRONIC)	BN4.60414-BJ8	1		£114.95
FL4265	PETROL PUMP - DOUBLE - COMPETITION SU	BN4.68960-BJ8	1		£240.98
FL4266	MOUNTING BRACKET - ROUND BODY PUMP	BN4-BJ8	1	14B2845	£30.40
FL4267	FACET FUEL PUMP - NEG. EARTH - SILVER TOP (FAST ROAD)	BN1-BJ8	1		£91.25
FL4268	FACET FUEL PUMP - NEG. EARTH - RED TOP (RACE)	BN1-BJ8	1		£77.96
FL4269	MOUNTING BRACKET - SQUARE BODY PUMP	BN4.68960-BJ8	1	AHB9378	£30.25
FL4270	REPAIR KIT - FUEL PUMP (POS & NEG EARTH)	BN1-BN4.60413	1		£37.22
FL4271	REPAIR KIT - FUEL PUMP	BN4.60414-BJ8	1		£37.22
FL4274	ELECTRONIC COVERSION KIT - FUEL PUMP (POS)	BN1-BJ8	1		£61.37
FL4275	ELECTRONIC COVERSION KIT - FUEL PUMP (NEG)	BN1-BJ8	1		£61.37
FL4280	POINT SET - PETROL PUMP	BN1-BJ8	1	AUB6101 (377-080)	£11.05
FL4290	DIAPHRAGM ASSEMBLY - FUEL PUMP	BN1-BJ8	1	AUB6097 (377-130)	£28.25
FL4300	BANJO	BN1-BJ8	AR	AUC1833 (378-120)	£9.95
FL4310	BOLT - BANJO	BN1-BJ8	AR	AUC2698 (370-350)	£3.45
FL4320	WASHER - BANJO BOLT	BN1-BJ8	AR	AUC2141 (370-650)	£0.35
FL4360	PETROLFLEX - PIPE TO CARB	BN1-BN2	1	3H3082 (021-710)	£15.54
FL4361	PETROLFLEX - PIPE TO CARB	BN4.58727-BT7.13750	1	AHB9059 (021-713)	£11.63
FL4362	PETROLFLEX - PIPE TO CARB	BJ8	1	AHB6715 (376-830)	£12.50
FL4370	PETROLFLEX - FRONT TO CENTRE CARB	BN7-BT7 (TRI-CARB)	1	AEC2072 (376-840)	£8.69
FL4371	PETROLFLEX - BETWEEN CARBS	BT7-BJ8	1	14B1724 (376-870)	£2.48
FL4380	SECURING CLIP - PETROLFLEX/CARB	BN1-BJ8	AR	ACH5854 (262-200)	£0.72
FL4381	RUBBER CAP - PETROLFLEX	BN1-BJ8	AR		£0.31
FL4385	SUPPORT BRACKET - PETROL PIPE	BN4-BT7	1	AEC2135	£5.61
FL4387	THROTTLE SHAFT - OVERSIZE	H6 & HD6	2		£19.25
FL4390	H4 REPAIR KIT - BOTH CARBS	BN1-BN2 & EARLY BN4	1	(375-518)	£87.42
FL4391	H6 REPAIR KIT - BOTH CARBS	100M	1	(375-528)	£87.42
FL4392	HD6 REPAIR KIT - BOTH CARBS	BN4-BT7	1	(375-588)	£115.94
FL4393	HS4 REPAIR KIT - ALL 3 CARBS	BN7-BT7 (TRI-CARB)	1	(375-568)	£92.50
FL4394	HS6 REPAIR KIT - BOTH CARBS	BJ7	1	(375-578)	£68.65
FL4395	HD8 REPAIR KIT - BOTH CARBS	BJ8	1	(375-598)	£123.85
FL4400	BANJO - SCREWED DOUBLE - 90 DEGREE (NON STD)	BN1-BJ8	AR	AUC1832 (370-115)	£12.38
FL4420	PIPE ASSY - CARB TO CARB	BN1-BN2	1	1B2756 (021-918)	£71.92
FL4421	PIPE ASSY - CARB TO CARB	BN4-BT7	1	AEC1230 (021-874)	£68.65
FL4440	JET - FRONT & REAR H4	BN1-BN2	2	AUC8182 (370-760)	£12.05
FL4441	JET - FRONT & REAR H6	100M	2	AUC8183 (378-350)	£7.57



Fuel

PART No	DESCRIPTION	APPLICATION	QTY	NOTES	PRICE
FL4442	JET - FRONT & REAR HS4	BN7-BT7 (TRI-CARB)	2	AUD9141 (372-640)	£15.97
FL4443	JET - CENTRE HS4	BN7-BT7 (TRI-CARB)	1	AUD9142 (372-650)	£16.50
FL4444	JET - FRONT HS6	BJ7	1	AUD9148 (378-460)	£13.70
FL4445	JET - REAR HS6	BJ7	1	AUD9149 (378-450)	£13.70
FL4450	JET - FRONT & REAR HD6	BN4-BT7	2	AUC8155 (378-320)	£25.46
FL4451	JET - FRONT & REAR	BJ8	2	AUC8156 (378-330)	£25.49
FL4460	SPRING - DIAPHRAGM	HD6 & HD8	2	AUC2006 (031-994)	£0.85
FL4480	NEEDLE - STANDARD H4	BN1-BN2	2	AUD1284 (021-075)	£7.69
FL4481	NEEDLE - STANDARD H6	100M	2	AUD1277 (021-076)	£7.43
FL4482	NEEDLE - STANDARD HD6	BN4-BT7	2	AUD1112 (854-177)	£6.95
FL4483	NEEDLE - STANDARD HS4	BN7-BT7 (TRI-CARB)	3	AUD1127 (854-183)	£7.34
FL4484	NEEDLE - STANDARD HS6	BJ7	2	AUD1063 (021-086)	£7.35
FL4485	NEEDLE - STANDARD HD8	BJ8	2	AUD1370 (021-087)	£8.07
FL4486	NEEDLE - RICH HD8	BJ8	2	AUD1474 (021-089)	£8.58
FL4488	NEEDLE - STANDARD HD6 TRI-CARB BO	BN7 & BT7 MK2 (TRI-CARB)	3 OR 5	AUD1526	£9.61
FL4500	GASKET SET - PER CARBURETTER	H4 & H6	2	AUE801 (698-000/010)	£8.66
FL4501	GASKET SET - PER CARBURETTER	HD6	2	AUE805 (698-078)	£7.29
FL4502	GASKET SET - PER CARBURETTER	HS4	2	AUE811 (698-058)	£3.70
FL4503	GASKET SET - PER CARBURETTER	HS6	2	AUE812S (698-098)	£3.70
FL4504	GASKET SET - PER CARBURETTER	HD8	2	AUE806 (698-088)	£8.60
FL4510	PIPING - CARB OVERFLOW (PER METRE)	BN1-BJ8	AR		£1.95
FL4530	FUEL FILTER	H4,H6,HD6 & HD8	2	AUC2139 (370-270)	£3.75
FL4544	SPRING - PISTON	H6, HS4	2	AUC4387	£4.95
FL4548	SPRING - PISTON	BJ8	2	AUC4826	£10.83
FL4550	CAP & DAMPER - PLASTIC CAP	H4,H6 & HD6	2	AUC8102 (378-300)	£10.50
FL4551	CAP & DAMPER - BRASS CAP	H4,H6 & HD6	2	AUC8102 (370-860)	£17.50
FL4552	CAP & DAMPER - PLASTIC CAP	HS6	2	AUC8103 (378-300)	£9.92
FL4553	CAP & DAMPER - BRASS CAP	HS6	2	AUC8103 (370-860)	£15.80
FL4554	CAP & DAMPER	HD8	2	AUC8112 (021-093)	£10.25
FL4555	CAP & DAMPER BRASS-CAP	BJ8 HD8	2		£17.50
FL4560	SCREW - DASHPOT COVER	BN1-BJ8	AR	JZX1394 (370-290)	£0.45
FL4563	FLOAT LID ASSEMBLY - FRONT	HS4	1	AUE275	£34.13
FL4564	FLOAT LID ASSEMBLY - CENTRE	HS4	1	AUE273	£34.13
FL4565	FLOAT LID ASSEMBLY - REAR	HS4	1	USE FL4566	
FL4566	FLOAT LID ASSEMBLY - RH	HS4 REAR & HS6	1	AUE274 (378-420)	£34.13
FL4567	FLOAT LID ASSEMBLY - LH	HS6	1	AUE268 (372-720)	£37.75
FL4568	FLOAT LID ASSEMBLY - RH (REAR)	HD8	1	AUD2283 (375-058)	£44.15
FL4569	FLOAT LID ASSEMBLY - LH (FRONT)	HD8	1	AUD2284 (375-068)	£44.15
FL4570	NEEDLE VALVE - FLOAT	BN1-BJ8	AR	AUD9096 (373-625)	£12.07
FL4580	OVERFLOW PIPE	H4,H6,HD6 & HD8	2	AUC3200 (451-250)	£14.25
FL4581	GASKET - FLOAT CHAMBER LID	H4,H6,HD6 & HD8	2	AUC1147 (294-900)	£0.58
FL4582	GASKET - FLOAT CHAMBER LID	HS4 & HS6	2 OR 3	AUC8459 (378-360)	£1.60
FL4590	FLOAT KIT - H & HD CARBS (BRASS)	H4,H6,HD6 & HD8	2	AUC1133 (370-010)	£15.91
FL4591	FLOAT KIT - HS4 & HS6 CARBS	HS4 & HS6	2 OR 3	AUC8453 (378-470)	£9.82
FL4600	GASKET - CARB TO HEATSHIELD	HS4	6	AEC2083 (294-710)	£0.62

PART №	DESCRIPTION	APPLICATION	QTY	NOTES	PRICE
FL4610	GASKET - CARB TO HEATSHIELD	HD6 & HS6	2	AED308 (696-010)	£0.55
FL4619	SPACER - CARB TO HEATSHIELD 1 3/4 x 6MM	H6,HD6 & HS6	2		£6.50
FL4620	SPACER - CARB TO HEATSHIELD	HS6 & HD6	2	12B561 (696-060)	£9.95
FL4621	SPACER - CARB TO HEATSHIELD	H4	2	AHH5713 (372-030)	£8.25
FL4622	SPACER - CARB TO HEATSHIELD	HD8	2	12B811 (696-070)	£8.25
FL4630	GASKET - CARB TO HEATSHIELD	HD8	4	12B814 (529-120)	£0.59
FL4640	GASKET - WEBBER CARB TO MANIFOLD	BN4-BJ8	6	CFUL262	£1.95
FL4650	GASKET - CARB TO AIR FILTER	H6,HD6 & HS6	2	AEC375 (696-020)	£0.70
FL4651	GASKET - CARB TO AIR FILTER (NON-STD CORK)	HD6 & HS6	2	AEC375	£3.58
FL4652	GASKET - CARB TO AIR FILTER	H4 & HS4	2 OR 3	ACG5184 (294-800)	£0.61
FL4670	GASKET - CARB TO AIR FILTER	HD8	2	AHB6019 (696-030)	£0.89
FL4671	GASKET - CARB TO AIR FILTER (NON-STD CORK)	HD8	2	AHB6019	£3.41
FL4682	FITTING KIT - BELLCRANK LEVER	BN1-BN2	1	2K2557	£3.95
FL4685	BELL CRANK LEVER (USED)	BN1-BN2	1	1B2692	£25.73
FL4690	FULCRUM PIN - BELLCRANK LEVER	BN1-BN2	1	1B1678 (728-005)	£11.35
FL4700	HEATSHIELD	BN1-BN2	1	1B1673 (021-907)	£10.70
FL4710	HEATSHIELD	100M	1	CFUL240SL (ROD LINK-AGE)	£32.92
FL4718	HEATSHIELD (USED)	BN4 48862	1	AEC752	£26.50
FL4720	HEATSHIELD ASSY - 1.1/2IN (X3)	BN7-BT7 MK2 (TRI-CARB)	1	AEC1357 (372-125)	£49.50
FL4721	HEATSHIELD ASSY - 1.3/4 CARBS	BN1-BJ8	1	12B562 (372-105)	£34.00
FL4722	HEATSHIELD ASSY - 2IN CARBS	BJ8	1	12B812 (372-115)	£34.00
FL4723	WEBER HEAT SHIELD KIT	BN1-BJ8	1	CFUL410	£23.75
FL4730	INSULATION PIECE - HEATSHIELD	BN6-BJ8	1	TWIN CARB	£6.56
FL4731	INSULATION - HEATSHIELD (PR)	BN7-BT7 MK2 (TRI-CARB)	1		£11.25
FL4750	BRACKET - SHROUD SUPPORT (USE WITH FL4810)	100M	1	(805-375)	£11.55
FL4760	INLET MANIFOLDS - LE MANS (PR) - 1.3/4IN	BN1-BN2	1	(366-760)	£180.18
FL4762	INLET MANIFOLD - 1.3/4IN SU (USED)	BN4.ENG40501-BJ7	1	AEC1376, AEC2009, 68G200 (68G2	£173.25
FL4764	INLET MANIFOLDS - TRIPLE SU - SET OF 3 (USED)	BN7&BT7	1	AEC1492/3/4 AEC1510/1/2 (TRI-C	£256.73
FL4766	INLET MANIFOLD - 2IN SU (USED)	BJ8	1	68G270	£367.50
FL4769	CORE PLUG - INLET MANIFOLD	BT7-BJ8	1	12H736 (NOT TRI-CARB)	£1.52
FL4770	INLET MANIFOLDS - CAR SET COMP. (SET OF 3-2IN S.U.)	BN4-BJ8	1		£290.06
FL4771	INLET MANIFOLDS - TRIPLE S.U. (SET OF 3)	BN4-BJ8	1	CFUL241	£391.60
FL4772	WEBER UPSWEPT INLET MANIFOLD	BN4-BJ8	1	CFUL242L	£359.15
FL4776	THROTTLE LINKAGE KIT - TRIPLE WEBER	BN4-BJ8	1	CFUL244L	£204.95
FL4780	BALANCE PIPE - TRI. CARB (2ND HAND)	BT7&BN7 MK 2	1	AEC2115	£50.00
FL4784	FUEL RAIL - TRIPLE WEBER	BN1-BJ8	1	CFUL400P	£109.50
FL4790	PIPE - TAKE OFF (1.3/4IN & 2IN)	BN7 & BT7 MK2 (TRI-CARB)	3	AEC2118 (021-434)	£3.25
FL4795	STUD - INLET MANIFOLD (LE MANS)	100M	8	FUL240S	£1.94
FL4796	NUT FOR STUD - INLET MANIFOLD (LE MANS)	100M	8	USE WITH FL4795	£0.74
FL4797	STUD - BALANCE PIPE (LE MANS)	BN1-BN2	4		£1.90
FL4798	DRAIN TUBE & NUT - MANIFOLD	BN1-BN2	2	USE EN7170	
FL4799	BRASS UNION - MANIFOLD DRAINPIPE	BN1-BN2	2	USE EN4509	
FL4800	STUD - MANIFOLD TO CARBS	BN4.ENG40500-BJ8	8	53K1477 (724-090)	£0.89



Fuel

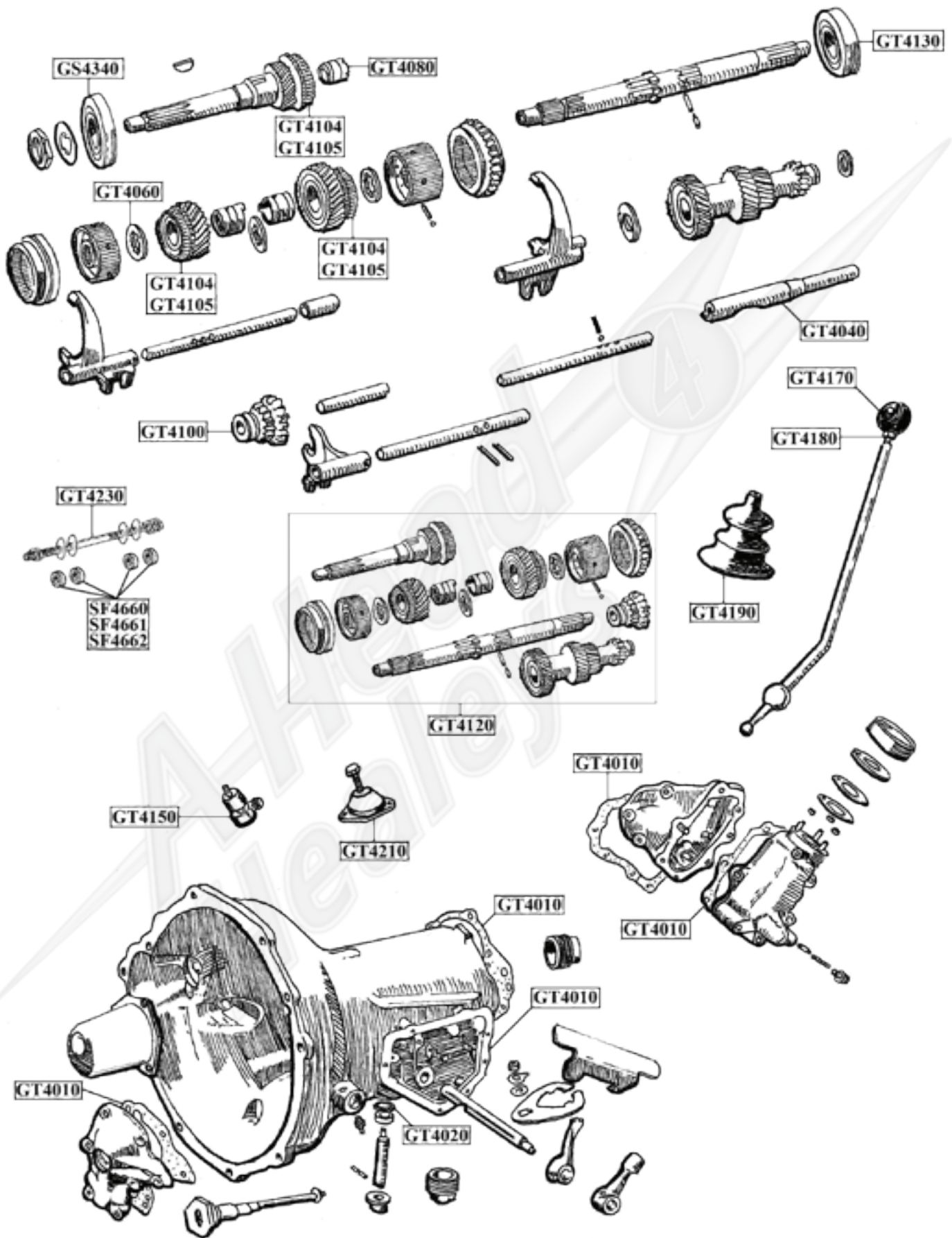
PART No	DESCRIPTION	APPLICATION	QTY	NOTES	PRICE
FL4809	COLD AIR BOX - ORIGINAL REPRODUCTION	100M	1	7H1724	£209.48
FL4810	COLD AIR BOX	100M	1	7H1724 (366-770)	£61.00
FL4815	FLEXIBLE AIR PIPE - 4.5IN	100M	1		£23.75
FL4820	PLAQUE - COLD AIR BOX	100M	1	AUC739 (366-775)	£10.79
FL4821	STRIP & BUCKLE CLIP - TRUNKING	100M	1	USE CH4102	
FL4823	ADAPTER - COLD AIR BOX PIPE	BN1-BN2	1	FUL246P	£41.21
FL4825	FILTER CONE	100M	1	CFUL250A	£48.14
FL4826	HIGH FLOW TWIN AIRFILTER	100M	1	CFUL250AS	£122.35
FL4830	BALANCE PIPE - WITH FLANGE	BN1-BN2	1	1B1774 (366-765)	£31.38
FL4840	SUPPORT STRUTS - CARBURETTER (PR)	BN1-BN2	1	1B2869 (376-098)	£21.85
FL4850	AIR FILTER - FRONT (EARLY)	BN1-BN4	1	1B2732 (372-095)	£34.00
FL4851	AIR FILTER - REAR (EARLY)	BN1-BN4	1	1B2733 (372-085)	£34.00
FL4860	ELEMENT - AIR CLEANER (NON-STD)	BN1-BN4	2	GFE1002	£5.50
FL4870	AIR FILTER - FRONT & CENTRE (PAINTED)	BN7-BT7 MK2 (TRI-CARB)	2	AHB9023 (372-090)	£20.48
FL4871	AIR FILTER - FRONT & CENTRE (STAINLESS STEEL)	BN7-BT7 MK2 (TRI-CARB)	2	AHB9023	£25.95
FL4872	AIR FILTER - FRONT (PAINTED)	BN4-BJ7	1	11B621 (806-016)	£20.48
FL4873	AIR FILTER - FRONT (STAINLESS STEEL)	BN4-BJ7	1	11B621	£25.95
FL4874	AIR FILTER - FRONT (PAINTED)	BJ8	1	AHB6002 (806-017)	£20.48
FL4875	AIR FILTER - FRONT (STAINLESS STEEL)	BJ8	1	AHB6002	£25.95
FL4880	AIR FILTER - REAR (PAINTED)	BN7-BT7 MK2 (TRI-CARB)	1	AHB9024 (372-080)	£20.37
FL4881	AIR FILTER - REAR (STAINLESS STEEL)	BN7-BT7 MK2 (TRI-CARB)	1	AHB9024	£25.95
FL4882	AIR FILTER - REAR (PAINTED)	BN4-BJ7	1	11B622 (806-002)	£20.37
FL4883	AIR FILTER - REAR (STAINLESS STEEL)	BN4-BJ7	1	11B622	£25.95
FL4884	AIR FILTER - REAR (PAINTED)	BJ8	1	AHB6003 (806-005)	£20.48
FL4885	AIR FILTER - REAR (STAINLESS STEEL)	BJ8	1	AHB6003	£25.95
FL4886	AIR FILTER - RAMFLOW (FRONT OR REAR)	HS4,HS6 & HD6	2		£41.95
FL4887	AIR FILTER - RAMFLOW (FRONT OR REAR)	HD8	2		£41.95
FL4890	AIR FILTER - PIPERCROSS (PERFORMANCE) - HS4	BN7-BT7 (TRI-CARB)	3		£44.95
FL4900	DECAL - AIR FILTER	BN1-BN2	2	(372-195)	£1.75
FL4910	DECAL - AIR FILTER	BN4-BJ8	2 OR 3	(215-690)	£0.68
FL4912	AIR FILTER KIT - HIGH FLOW - 1.3/4IN SU (ITG)	BN2 & BN4(LATE), BN6-BJ7	1	CFUL259A	£123.50
FL4913	AIR FILTER KIT - TWIN 2 SU CARBS	BJ8	1	6 CYL. ONLY	£120.95
FL4914	AIR FILTER KIT-TRIPLE WEBER (RHD)	BN1-BJ8	1	CFUL400F	£261.90
FL4915	AIR FILTER KIT - TRIPLE WEBER (ITG)	BN1-BJ8	1	CFUL400FL	£99.50
FL4916	BELL MOUTH - POLISHED ALUM. (1.3/4IN SU)	H6,HD6 & HS6	2 OR 3		£10.24
FL4917	BELL MOUTH - POLISHED ALUM. (2IN SU)	HD8	2		£20.48
FL4918	FILTER SOCK - BELL MOUTH (PIPER)	BN1-BJ8	2 OR 3		£14.18
FL4919	BELL MOUTH - POLISHED ALUM. (1.1/2IN SU)	BN7-BT7 (TRI-CARB)	3	SFR430	£24.10
FL4920	TRUMPET - CARB - POLISHED ALLOY	HS4,HS6 & HD6	2	(222-975)	£31.58
FL4921	TRUMPET - CARB - POLISHED ALLOY	HD8	2		£40.29
FL4922	BALL JOINT - THROTTLE LINKAGE (U.N.F.)	BN1-BN2	4 OR 6	11B2044 (372-015)	£16.27
FL4930	BALL JOINT - THROTTLE LINKAGE (PLASTIC)	BN4.50759-BJ8	AR	12G2006	£3.05
FL4940	BALL JOINT - THROTTLE LINKAGE (NON STANDARD)	BN4.50759-BJ8	6	ACB5311 (372-015)	£4.50

PART №	DESCRIPTION	APPLICATION	QTY	NOTES	PRICE
FL4941	BALL JOINT - THROTTLE LINKAGE (HIGH QUALITY ORIGINAL)	BN4.50759-BJ8	6	ACB5311 (372-015)	£5.20
FL4950	HOUSING - BULKHEAD BUSH	BN4-BJ8	1	(021-926)	£4.41
FL4960	BULKHEAD BUSH - THROTTLE SHAFT	BN4-BJ8	1	AHB8944 (680-980)	£4.50
FL4970	NYLON BRACKET - THROTTLE SHAFT	BN4-BJ8	1	11B2348 (371-610)	£1.99
FL4972	BOLT - NYLON BRACKET TO MANIFOLD	BN4-BJ8	1	ZCS0505	£0.30
FL4980	FELT BUSH - THROTTLE LINKAGE	BN4-BJ8	2 OR 3	1A1832 (021-922)	£1.10
FL4981	NYLON BUSH - THROTTLE LINKAGE (NON-STD)	BN4-BJ8	2 OR 3		£3.90
FL4990	BRACKET - CHOKE CABLE REINFORCEMENT	BJ7-BJ8	1	12B567	£8.50
FL5000	THROTTLE SPRING	BN1-BJ8	AR	AEC2075 (370-335)	£0.95
FL5010	BRACKET - THROTTLE PEDAL	BN1-BN2	2	1B2713 (021-888)	£11.75
FL5011	CHOKE BRACKET ABUTMENT	BN1-BN2	1	1B2719 (378-025)	£9.03
FL5012	STIRRUP - CHOKE CONNECTOR KIT	BN1-BN4.48862	1	AUE92 (378-010)	£11.19
FL5020	CHOKE BRACKET (HD6 CARBS)	BN4-BT7	1	11B623 (372-075)	£32.92
FL5025	FORK END (HD6 CARBS)	BT7	2	AUC2256	£9.35
FL5030	CHOKE BRACKET ABUTMENT	HD8	2	AHB6018 (372-135)	£16.50
FL5040	SHAFT ASSY - CARB.COUPLING	BJ8	1	12B815 (021-925)	£24.40
FL5050	CARBURETTER LINK RODS & NUTS (CUT TO LENGTH)	BN1-BJ8	AR		£2.96
FL5060	BRACKET - THROTTLE BRACKET TO MANIFOLD	BJ7-BJ8	1	12B572 (372-215)	£14.44
FL5070	BRACKET - THROTTLE RETURN SPRING	BJ7-BJ8	1	12B574 (372-245)	£1.75
FL5080	THROTTLE PEDAL - RHD	BN1-BN2	1	1B2775	£36.75
FL5081	THROTTLE PEDAL - LHD	BN1-BN2	1	1B2716 (372-365)	£36.75
FL5082	THROTTLE PEDAL - RHD	BN4-BJ7	1	AHB9190	£28.05
FL5083	THROTTLE PEDAL - LHD	BN4-BJ8	1	AHB9188	£63.65
FL5084	THROTTLE PEDAL - RHD	BJ8	1	AHB9969	£48.20
FL5088	WIDE ACCELERATOR PEDAL	BN4-BJ8	1	CFUL292	£10.35
FL5090	THROTTLE LINKAGE ASSY - LHD	BJ7-BJ8	1		£216.76
FL5095	BEARING - THROTTLE RELAY ROD	BN1-BN2	2	1B2771	£19.50
FL5100	BRACKET - THROTTLE SHAFT	BJ7-BJ8	1	AHB9795	£19.95
FL5104	THROTTLE CABLE CONVERSION	BN1-BN2	1		£123.89
FL5105	THROTTLE CABLE CONVERSION	BN4-BJ8	1		£92.14
FL5106	THROTTLE CABLE	BN1-BJ8	1		£18.15
FL5108	SPRING - ACCELERATOR RETURN	BN1-BN2	1	USE BN4050	
FL5110	SPRING - PEDAL RETURN (RHD)	BN4-BJ8	1	1G2697	£8.60
FL5111	SPRING - PEDAL RETURN (LHD)	BN4-BJ8	1	11B2146 (021-924)	£8.60
FL5120	CUP - THROTTLE BUSH (FIT WITH FL4980)	BN4-BJ8	1	2F115 (021-951)	£19.98
FL5140	NUT - FLOAT CHAMBER LID	H4,H6,HD6 & HD8	2	AUC1867 (370-150)	£3.48
FL5150	RETAINER - CHOKE CABLE (HD6 CARBS)	BN4-BT7	1	11B2365 (378-600/610)	£11.15
FL5160	WASHER - ALUMINIUM	H4,H6,HD6 & HD8	2	AUC1557 (370-130)	£0.52
FL5170	WASHER - FIBRE	H4,H6,HD6 & HD8	2	AUC1928 (370-160)	£0.62
FL5180	BANJO - FLOAT CHAMBER LID	BJ8	1	AUC8398 (370-185)	£7.82
FL5190	BANJO - DOUBLE - FLOAT CHAMBER	BJ8	1	AUC8397 (370-175)	£12.05
FL5196	GROMMET - FLOAT BOWL	H4 & H6	4		£1.00
FL5199	CARBURETTOR SET (TRIPLE) - HS6 (NON-STD)	BN1-BJ8	1	NON-STD	£776.80
FL5200	CARBURETTERS - H6 (REBUILT-OUTRIGHT)	100M	1	AUC9004 (370-798)	£895.00
FL5201	CARBURETTERS (PR) - HD8	BJ8	1	(370-898)	£895.00
FL5204	CARBURETER - WEBER	BN1-BJ8	AR	CFUL400 (45 DCOE)	£366.98

Fuel

PART №	DESCRIPTION	APPLICATION	QTY	NOTES	PRICE
FL5208	THROTTLE LINKAGE KIT - WEBER (4 CYLINDER)	BN1-BN2	1	LP4101	£109.15
FL5220	OIL - CARBURETTERS (150ML)	BN1-BJ8	1		£5.20
FL5221	CARBURETOR CLEANER	BN1-BJ8	1	GGL1011	£7.30
FL5222	CLEVIS PIN - FORK TO JET LEVER	H4, HD6	2	AUC2108	£2.35
FL5225	COUPLING LINK	H4, H6, HS4, HD6, HS6 & HD8	2	AUE75	£15.17
FL5230	LEVER ASSY	BT7-BJ8	1	AUC4454	£10.95
FL5232	LEVER & PIN ASSEMBLY - FRONT (HD8)	BJ8	1	AUE86 (371-860)	£2.89
FL5233	LEVER & PIN ASSEMBLY - REAR (HD8)	BJ8	1	AUE87 (371-850)	£2.89
FL5235	TRUNNION ASSY. - CHOKE LEVER	H4 & H6	2	AUE35	£5.09
FL5240	LEVER - THROTTLE STOP (HD8)	BJ8	2	AUD2253 (373-200)	£14.86
FL5241	LEVER - LOST MOTION	HS4,HS6 & HD8	2	AUC1421 (372-850)	£13.70
FL5244	VALVE - SLOW RUNNING	HD6 & HD8	2	AUC2028	£8.93
FL5260	THERMO SWITCH - AUTO CHOKE	(E)29D/2864-6394	1	AEC961	£71.93
FL5261	SOLENOID ASSY - AUTO CHOKE	(E)29D/2864-6394	1		£113.14
FL5300	LEVER - NEEDLE VALVE	HD8	2	AUD2285 (371-030)	£2.75

Gearbox 3 Speed

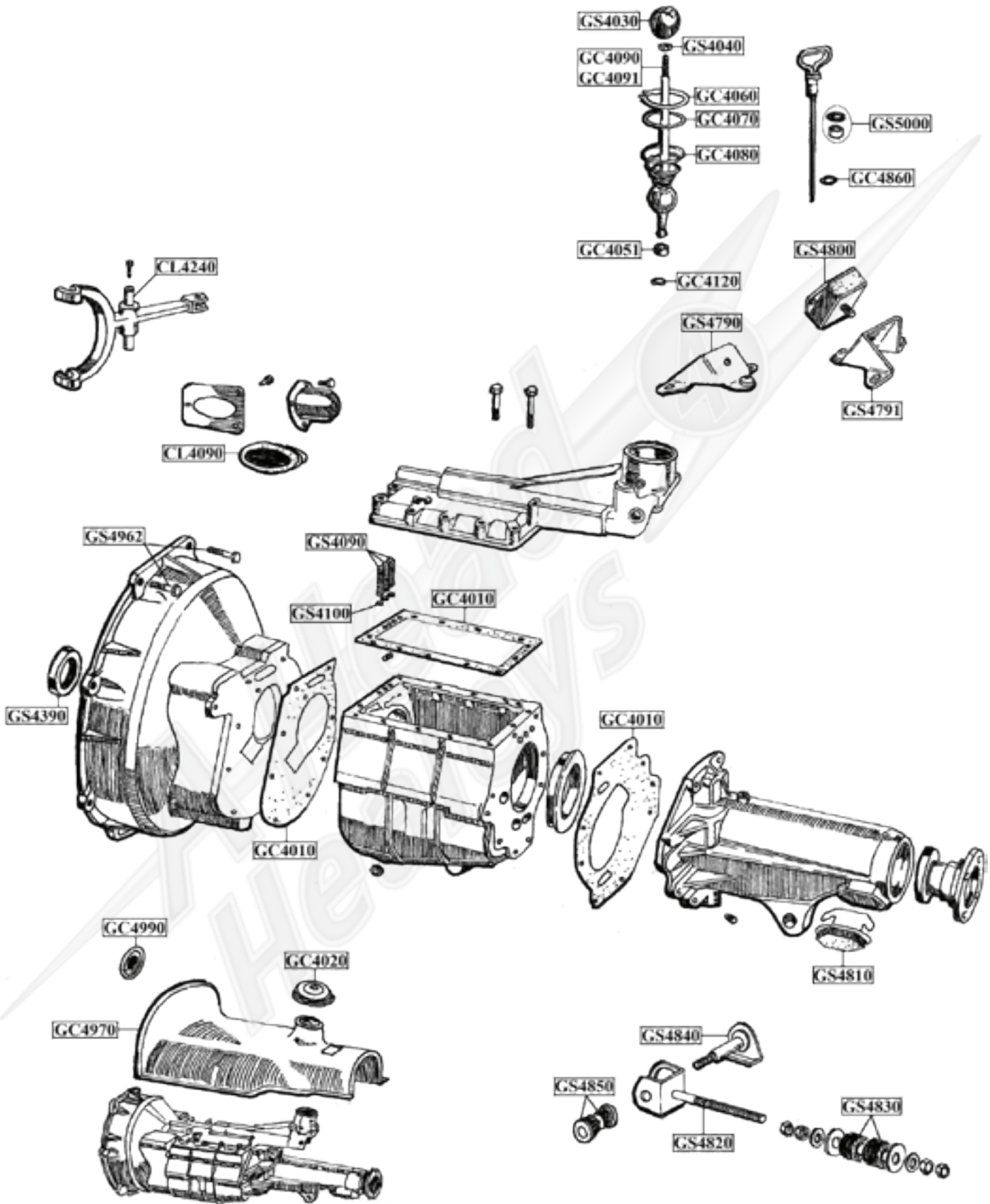


GT

Gearbox 3 Speed

PART №	DESCRIPTION	APPLICATION	QTY	NOTES	PRICE
GT4010	GASKET SET	BN1	1	(021-054)	£12.30
GT4020	OIL SEAL - INTERLOCK SHAFT	BN1	1	1B3343 (848-800)	£2.45
GT4040	LAYSHAFT	BN1	1	1B3702 (031-331)	£70.88
GT4050	BEARING - REAR MAINSHAFT	BN1	1	6K681	£60.32
GT4060	THRUST WASHER - MAINSHAFT (0.157)	BN1	1	11G2137 (461-310)	£3.55
GT4080	BUSH - MAIN/1ST MOTION SHAFT	BN1	1	1G3287 (031-231)	£35.86
GT4100	REVERSE GEAR - LESS BUSH	BN1	1	1B3577 (848-855)	£125.48
GT4101	REVERSE GEAR (USED)	BN1	1	1B3577 (848-855)	£183.75
GT4104	SYNCHRO RING - NEW	BN1	3		£104.48
GT4105	SYNCHRO RING - ORIGINAL (REFURBISHED)	BN1	3	1A3698 (031-247)	£94.50
GT4110	LAYGEAR - USED	BN1	1	1B3693	£1,155.00
GT4111	2ND SPEED GEAR - USED	BN1	1	USE WITH 1B3693	£275.00
GT4120	GEAR SET - COMPLETE	BN1	1	58G341 (INCL. SYNCHRO CONES)	£5,278.50
GT4130	BEARING - MAINSHAFT	BN1	1	6K534 (128-000)	£20.96
GT4150	ADAPTOR - SPEEDO DRIVE	BN1-BN2	1	1B3644 (768-020)	£78.50
GT4161	SELECTOR FORK - REVERSE (USED)	BN1	1	1B3345	£75.00
GT4163	SELECTOR FORK - 1ST & 2ND (USED)	BN1	1	1B3575	£75.00
GT4165	SELECTOR FORK - 3RD & 4TH (USED)	BN1	1	1B3342	£75.00
GT4168	SPRING - SELECTOR ROD	BN1	3	2K5049	£4.10
GT4170	KNOB - GEAR LEVER	BN1	1	1B3637 (021-398)	£20.62
GT4180	LOCKNUT - GEAR LEVER KNOB	BN1	1	2K9744	£0.77
GT4190	GAITER - GEAR LEVER	BN1	1	2F3087 (680-910)	£8.68
GT4210	MOUNTING - GEARBOX	BN1	2	1B2983 (011-146)	£9.85
GT4230	TIE BAR ASSEMBLY	BN1	1	1B2681	£13.85

Gearbox 4 Speed Centre

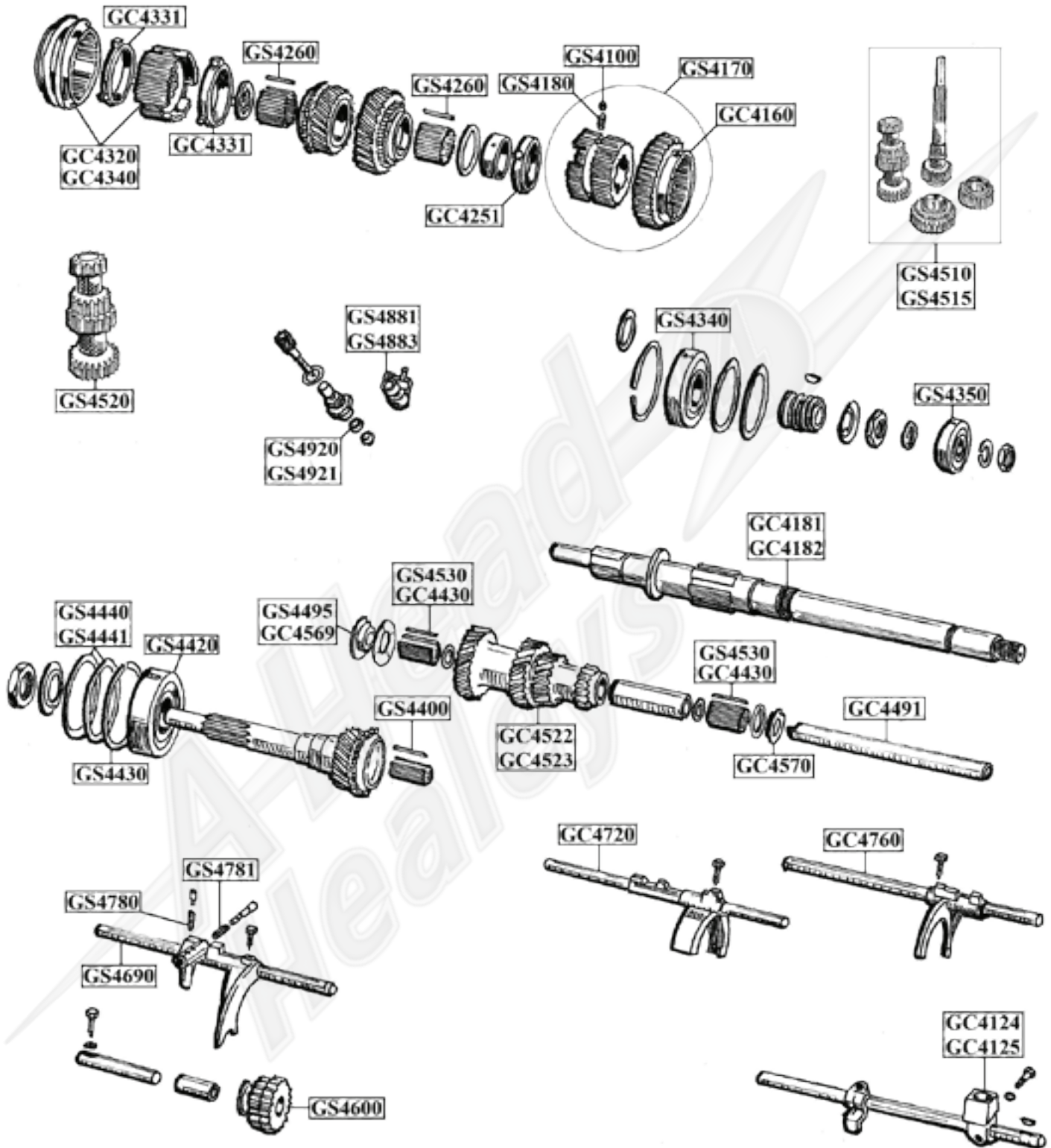


Gearbox 4 Speed Centre

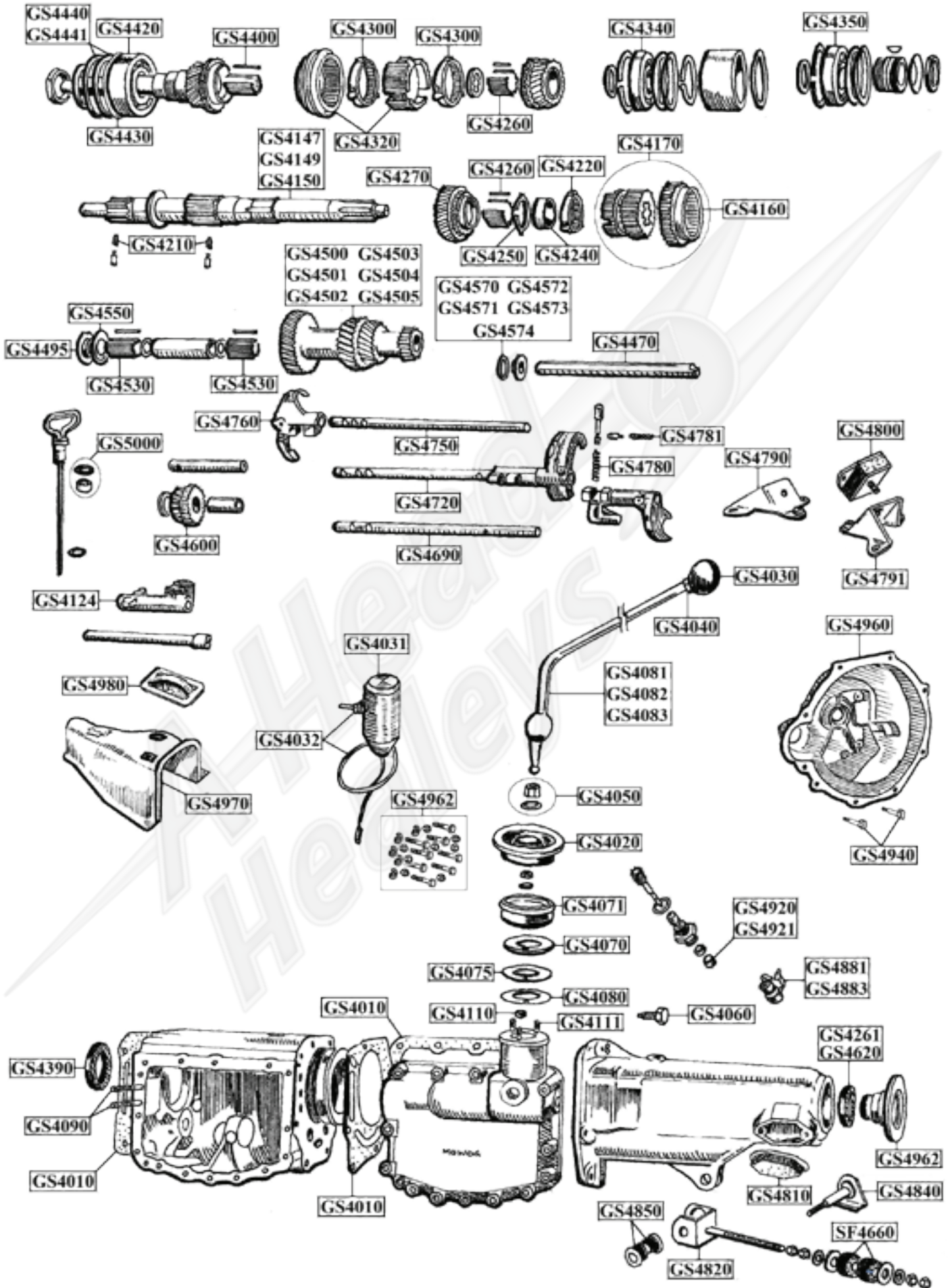
PART No	DESCRIPTION	APPLICATION	QTY	NOTES	PRICE
GC4010	GASKET SET	BT7-BJ8	1	(021-053)	£7.29
GC4020	GAITER - GEAR LEVER	BT7-BJ8	1	AHB9510 (021-338)	£6.95
GC4030	KNOB - GEAR LEVER	BN2-BJ8	1	USE GS4030	£0.00
GC4051	BUSH - GEAR LEVER	BJ8	1	22B191 (031-259)	£5.95
GC4060	CIRCLIP - GEAR LEVER RETAINING	BT7-BJ8	1	1H3087 (443-090)	£4.59
GC4070	RETAINING WASHER - G/L SPRING	BT7-BJ8	1	AEC3659	£2.24
GC4080	SPRING - G/L RETAINING	BT7-BJ8	1	AEC3671 (031-330)	£4.15
GC4090	GEAR LEVER - CHROME	BT7-BJ7	1	GBC109EC	£106.55
GC4091	GEAR LEVER - CHROME	BJ8	1	GBC109C (848-990)	£103.56
GC4100	ROLLPIN - GEAR LEVER LOCATING	BT7&BJ8	2	AEA558	£0.51
GC4120	OIL SEAL - SELECTOR SHAFT	BT7-BJ8	1	AEJ51 (520-290)	£2.95
GC4124	SOCKET - GEAR LEVER	BT7-BJ7 (C/ CHANGE)	1	AEC3654	£77.18
GC4125	SOCKET - GEAR LEVER	BJ8	1	22B192	£81.04
GC4160	FIRST GEAR - OUTER ONLY	BJ8	1	(021-258)	£189.00
GC4181	MAINSHAFT - OVERDRIVE	BJ8	1	CGBC122 (031-346)	£415.68
GC4182	MAINSHAFT - OVERDRIVE (2ND HAND)	BJ8	1	22B171 (031-346)	£294.00
GC4200	ABUTMENT COLLAR	BT7 MK2-BJ8	1	AEC3485 (GBS147)	£21.68
GC4205	WASHERS - ABUTMENT COLLAR (PAIR)	BT7 MK2-BJ8	1	AEC3484	£22.61
GC4251	BAULK RING - 2ND GEAR (STEEL)	BJ8	1	22B149 (021-326)	£43.50
GC4320	SYNCHRO HUB - 3RD & 4TH GEAR	BN2-BJ7	1	8G3015 (031-251)	£261.82
GC4331	BAULK RING - 3RD & 4TH GEAR (STEEL)	BJ8	2	22B159 (021-328)	£50.50
GC4340	SYNCHRO HUB - 3RD & 4TH GEAR	BJ8	1	AEC3072	£242.00
GC4430	CAGED NEEDLE ROLLER - 1ST MOTION SHAFT & LAYGEAR	BJ8	1	13H1565 (031-238)	£6.38
GC4491	LAYSHAFT	BJ8	1	22B142 (021-332)	£39.32
GC4522	LAYGEAR - RECONDITIONED (EXCH. ONLY)	BJ8	1	22B141 (021-253)	£119.95
GC4523	LAYGEAR - NEW (OUTRIGHT SALE)	BJ8	1	22B141 (021-253)	£247.50
GC4569	THRUST PLATE - FRONT	BJ8	1	22B182	£24.65
GC4570	THRUST PLATE - REAR	BJ8	1	22B181 (031-244)	£24.65
GC4720	SELECTOR SHAFT - 1ST & 2ND	BT7-BJ8 (C/ CHANGE)	1	AEC3557 (031-255)	£61.30
GC4725	SELECTOR FORK - REVERSE (BARE)	BT7 (C/CHANGE)- BJ8	1		£226.40
GC4726	SELECTOR FORK - REVERSE (COMPLETE)	BT7 (C/CHANGE)- BJ8	1		£257.45
GC4729	SELECTOR FORK - REVERSE (USED)	BT7 (C/CHANGE)- BJ8	1	AEC3626	£57.75
GC4730	SELECTOR FORK - 1ST & 2ND	BT7 (C/CHANGE)- BJ7	1	AEC3624	£175.85
GC4731	SELECTOR FORK - 1ST & 2ND (USED)	BT7 (C/CHANGE)- BJ7	1	AEC3624	£57.75
GC4750	SELECTOR FORK - 1ST & 2ND	BJ8	1	22B146 (031-256)	£169.40
GC4751	SELECTOR FORK - 1ST & 2ND (USED)	BJ8	1	22B146	£57.75
GC4760	SELECTOR FORK - 3RD & 4TH	BT7-BJ8 (C/ CHANGE)	1	AEC3625	£120.00
GC4761	SELECTOR FORK - 3RD & 4TH (USED)	BT7-BJ8 (C/ CHANGE)	1	AEC3625	£57.75
GC4860	SEAL - DIPSTICK	BT7-BJ8	2	AEC3461 (682-150)	£0.20
GC4970	TRANSMISSION TUNNEL - FIBREGLASS	BT7-BJ8 (C/ CHANGE)	1	AHB9176 (856-440)	£93.76
GC4990	FERRULE - SPEEDO CABLE HOLE	BJ7-BJ8	1	RFR220	£1.45
GC5000	GEAR BOX - 5 SPEED (C/W ADAPTER KIT)	BT7 MK2-BJ8	1	CENTRE CHANGE	£3,888.50

Gearbox 4 Speed Side

GS



Gearbox 4 Speed Side



Gearbox 4 Speed Side

GS

PART №	DESCRIPTION	APPLICATION	QTY	NOTES	PRICE
GS4010	GASKET SET	BN2-BT7	1	(021-053)	£9.95
GS4020	GAITER - GEAR LEVER	BN2-BT7	1	14B6877 (021-337)	£5.25
GS4030	KNOB - GEAR LEVER	BN2-BJ8	1	1B3736 (021-399)	£4.35
GS4031	GEAR LEVER KNOB - WORKS TYPE (WITH OD SWITCH)	BN4-BJ8	1		£35.18
GS4032	SWITCH & HARNESS - COMP. GEAR KNOB	BN4-BJ8	1		£9.85
GS4040	LOCKNUT - G/L KNOB	BN2-BJ8	1	54K1723 (462-510)	£0.49
GS4050	BUSH - GEAR LEVER	BN2-BJ7	1	AEC3520 (461-115)	£8.95
GS4053	CIRCLIP - GEAR LEVER BUSH	BN2-BJ7	1	1G3709 (326-170)	£0.50
GS4060	SCREW - GEAR LEVER LOCATING	BN1-BT7	1	2F3166	£2.95
GS4070	RUBBER SEAL - COLLAR	BN2-BT7	1	1B3632 (848-765)	£3.90
GS4071	COVER - GEAR LEVER (USED)	BN1-BT7	1	2F3154	£23.75
GS4075	WASHER - RETAINING - GEAR LEVER	BN2-BT7 (S/ CHANGE)	1	2F3151	£8.77
GS4080	RUBBER WASHER - PACKING	BN2-BT7	1	2F3152 (848-770)	£4.70
GS4081	GEAR LEVER (USED)	BN2	1	1B3746 (848-985)	£93.50
GS4082	GEAR LEVER (2ND HAND - RE-CHROMED)	BN4-BT7 (S/ CHANGE)	1	1B3760	£93.50
GS4083	GEAR LEVER - NEW (CHROME)	BN4-BT7 (S/ CHANGE)	1	1B3760	£146.48
GS4090	SPRING - SELECTOR	BN2-BT7	3	AEC3189 (329-040)	£1.80
GS4100	BALL - SELECTOR	BN2-BT7	3	BLS110 (329-520)	£0.79
GS4110	DISTANCE PIECE	BN4-BT7	3	1B3634 (848-775)	£1.70
GS4111	STUD - GEAR LEVER COVER	BN4-BT7 (S/ CHANGE)	3	53K462 (031-450)	£1.35
GS4124	SOCKET - GEAR LEVER	BN2-BT7 (S/ CHANGE)	1	1B3706	£163.52
GS4147	MAINSHAFT - OVERDRIVE	BN2-BN6	1	CGBS120	£414.75
GS4149	MAINSHAFT - OVERDRIVE (USED)	BT7-BJ7	1	AEC3486	£378.95
GS4150	MAINSHAFT - OVERDRIVE	BT7-BJ7	1	AEC3486	£395.00
GS4160	FIRST GEAR - OUTER ONLY	BN2-BT7	1	(021-258)	£189.00
GS4170	FIRST GEAR ASSEMBLY	BN2-BT7	1	8G3029 (021-256)	£291.59
GS4180	SPRING - SYNCHRO HUB	BN2-BT7	6	AEC3208 (329-125)	£1.52
GS4210	SPRING - GEAR PLUNGER	BN2-BT7	2	AEC3182 (442-110)	£0.54
GS4220	BAULK RING - 2ND GEAR	BN2-BJ7	1	AEC3482 (021-325)	£29.99
GS4240	THRUST PLATE - 2ND GEAR	BN2-BT7	1	AEB3112 (848-850)	£9.27
GS4250	THRUST WASHER - 2ND GEAR	BN2-BT7	2	AEB3111 (848-960)	£6.74
GS4260	NEEDLE ROLLER - 2ND & 3RD GEAR	BN2-BT7	65	AEC3180 (021-271)	£0.29
GS4261	OIL SEAL - REAR (NON O/D)	BN2-BT7	1	88G320 (120-800)	£2.95
GS4270	GEAR - 2ND SPEED (USED)	BN7-BJ7	1	AEC3357/AEC3469	£140.00
GS4272	GEAR - 3RD SPEED (USED)	BN7-BJ7	1	AEC3355 / AEC3468	£140.00
GS4300	BAULK RING - 3RD & 4TH GEAR	BN2-BT7	2	AEC3481 (021-327)	£33.34
GS4320	SYNCHRO HUB - 3RD & 4TH GEAR	BN2-BT7	1	8G3026 (031-251)	£264.85
GS4340	BEARING - REAR MAINSHAFT	BN2-BT7	1	6K681 (128-200)	£19.40
GS4346	DISTANCE PIECE - CIRCLIP TO BEARING (O/D CARS)	BN4-BT7	1	1B3721	£29.50
GS4350	BEARING REAR EXTENSION (NON O/D)	BN4-BJ8	1	2K5505 (127-800)	£20.95
GS4390	OIL SEAL - 1ST MOTION SHAFT	BN2-BT7	1	10K7089 (021-192)	£2.65
GS4400	NEEDLE ROLLER - 1ST MOTION SHAFT	BN2-BT7	18	AEC3186 (021-270)	£0.39
GS4420	BEARING - 1ST MOTION SHAFT	BN2-BT7	1	6K830 (620-586)	£18.30
GS4430	CIRCLIP - BEARING	BN2-BT7	1	6K780 (326-740)	£1.63

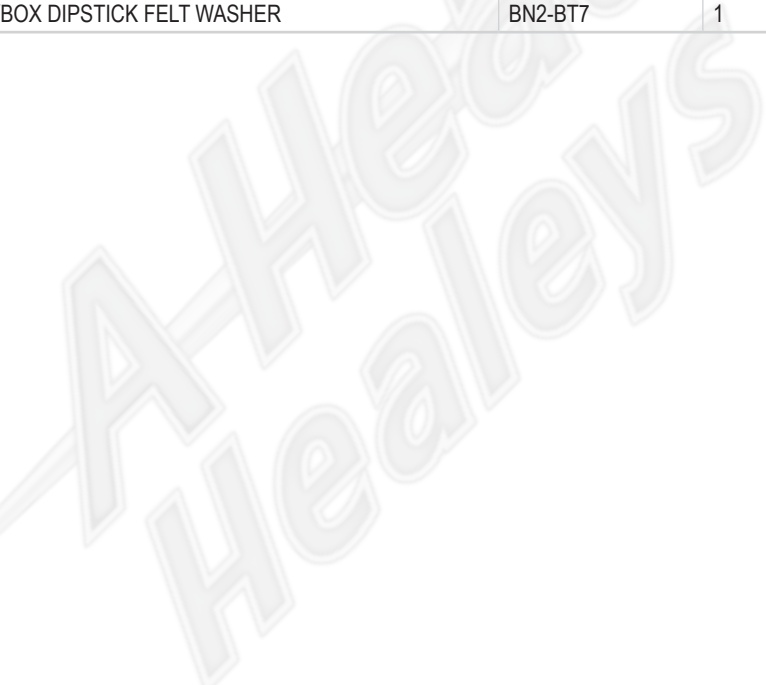
Gearbox 4 Speed Side

PART No	DESCRIPTION	APPLICATION	QTY	NOTES	PRICE
GS4440	SHIM - FRONT BEARING (0.002)	BN2-BT7	AR	22B152 (848-930)	£2.00
GS4441	SHIM - FRONT BEARING (0.005)	BN2-BT7	AR	22B153 (848-940)	£2.37
GS4443	H/D PRELOAD WASHER - REAR HOUSING	BN2-BJ8	AR	CGBS146	£5.72
GS4444	H/D PRELOAD WASHER - BELL HOUSING	BN2-BJ8	AR	CGBS156	£7.31
GS4470	LAYSHAFT	BN2-BJ7	1	AEB3203 (021-331)	£32.25
GS4495	THRUST PLATE - FRONT (LAYGEAR) 2ND HAND	BN2-BT7 (S/ CHANGE)	1	AEC3115	£17.80
GS4500	LAYGEAR - RECONDITIONED (EXCH. ONLY)	BN2-BN6	1	1B3728 (021-250)	£119.95
GS4501	LAYGEAR - RECONDITIONED (EXCH. ONLY)	BN7-BT7	1	AEC3616 (843-080)	£119.95
GS4502	LAYGEAR - RECONDITIONED (EXCH. ONLY)	BN7-BT7	1	AEC3359 (021-252)	£119.95
GS4503	LAYGEAR - NEW (OUTRIGHT SALE)	BN7-BT7	1	AEC3359	£272.25
GS4504	LAYGEAR - RECONDITIONED (EXCH. ONLY)	BN7-BJ7	1	AEC3649 (021-251)	£119.95
GS4505	LAYGEAR - NEW (OUTRIGHT SALE)	BN7-BT7	1	AEC3649	£325.00
GS4510	GEAR SET - SEBRING (STRAIGHT CUT)	BN2-BJ7	1	BRASS SYNCHRO RING ONLY (MOLYB)	£972.04
GS4515	STRAIGHT CUT GEAR SET - TULIP	BN2-BJ8	1	CGBS201	£923.48
GS4520	LAYGEAR - STRAIGHT CUT - SEBRING	BN2-BJ8	1	XCGBS301S/L	£392.44
GS4530	NEEDLE ROLLER - LAYGEAR	BN2-BT7	46	AEB3212 (031-237)	£0.30
GS4550	THRUST WASHER - FRONT (LAYGEAR)	BN4-BJ8	1	AEC3679 (031-239)	£23.76
GS4570	THRUST WASHER - REAR (0.080)	BN2-BT7	1	22B184	£11.74
GS4571	THRUST WASHER - REAR (0.082)	BN2-BT7	1	22B185	£11.74
GS4572	THRUST WASHER - REAR (0.085)	BN2-BT7	1	22B186	£11.74
GS4573	THRUST WASHER - REAR (0.087)	BN2-BT7	1		£11.74
GS4574	THRUST WASHER - REAR (0.090)	BN2-BT7	1	22B1861	£11.74
GS4600	REVERSE GEAR	BN2-BT7	1	22B233 (856-800)	£58.75
GS4602	REVERSE GEAR BEARING	BN1-BJ8	1	POA	
GS4610	SHAFT REVERSE GEAR	BN4,BT7,BJ7-BJ8.	1		£64.10
GS4620	OIL SEAL - REAR (O/D)	BN1-BT7	1	17H5854 (121-125)	£2.45
GS4690	SELECTOR SHAFT - REVERSE	BN2-BJ8	1	AEC3343	£61.30
GS4720	SELECTOR SHAFT - 1ST & 2ND	BN2-BT7 (S/ CHANGE)	1	AEC3504 (031-340)	£61.30
GS4750	SELECTOR SHAFT - 3RD & 4TH (S/CHANGE)	BN2-BJ8	1	AEC3342	£61.30
GS4755	SELECTOR FORK - REVERSE (BARE)	BN2-BT7 (SIDE CHANGE)	1		£230.42
GS4756	SELECTOR FORK - REVERSE (COMPLETE)	BN2-BT7 (SIDE CHANGE)	1		£270.32
GS4757	SELECTOR FORK - REVERSE (USED)	BN2-BT7 (S/ CHANGE)	1	AEC3322 / 1B3709	£55.00
GS4758	FORK SELECTOR - 1ST & 2ND	BN2-BT7 (S/ CHANGE)	1	1B3708	£177.47
GS4759	FORK SELECTOR - 1ST & 2ND (USED)	BN2-BT7 (S/ CHANGE)	1	1B3708	£55.00
GS4760	FORK SELECTOR - 3RD & 4TH	BN2-BT7 (S/ CHANGE)	1	1B3730 (031-257)	£125.73
GS4761	FORK SELECTOR - 3RD & 4TH (USED)	BN2-BT7	1	1B3707	£55.00
GS4780	SPRING - PLUNGER (REVERSE FORK)	BN2-BT7	1	2F3198 (329-105)	£2.89
GS4781	SPRING - DETENT PLUNGER	BN2-BT7	1	22A75 (REVERSE FORK)	£0.89
GS4790	MOUNTING - REAR GEARBOX (RH)	BN2-BJ8	1	11B5113 (031-385)	£18.75
GS4791	MOUNTING - REAR GEARBOX (LH)	BN2-BJ8	1	11B5115 (031-384)	£18.75
GS4800	MOUNTING - GEARBOX	BN2-BT7	2	11B5074 (413-050)	£2.15
GS4810	BUFFER - GEARBOX CENTRE	BN2-BT7	1	1A9209 (021-345)	£2.89

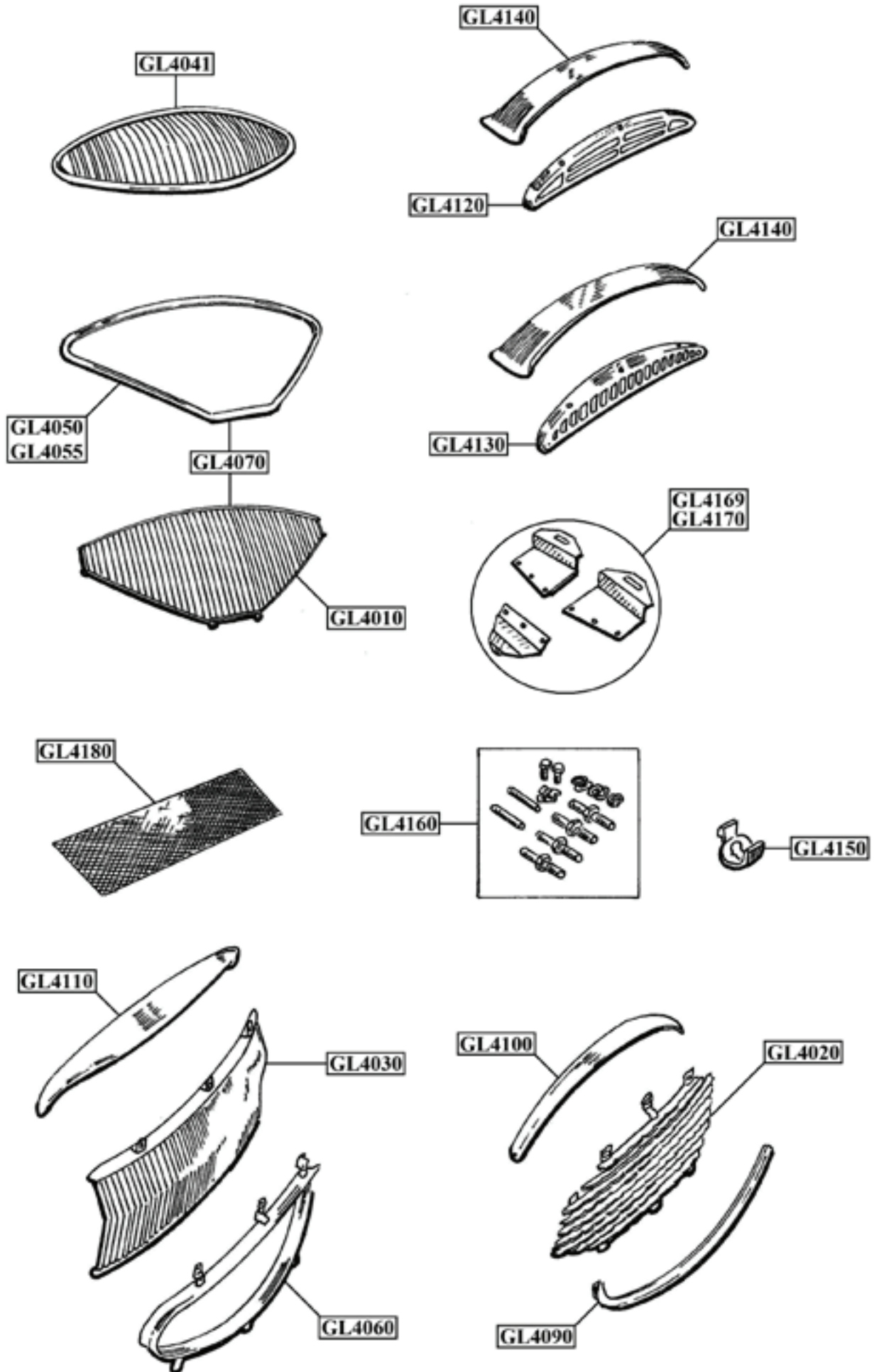
Gearbox 4 Speed Side



PART №	DESCRIPTION	APPLICATION	QTY	NOTES	PRICE
GS4820	TIE BAR	BN2-BT7	1	1G9382 (807-100)	£12.95
GS4830	RUBBER BUSH - TIE BAR	BN2-BT7	2	USE SF4660	
GS4840	PIN - TIE BAR	BN2-BT7	1	1G9384 (413-140)	£10.70
GS4850	RUBBER BUSH - TIE PIN BAR	BN2-BT7	2	1B8347 (280-050)	£0.50
GS4881	ADAPTOR - SPEEDOMETER	BN2-BT7	1	13H2567 (021-511)	£34.50
GS4883	ADAPTOR - SPEEDOMETER - HEAVY DUTY	BN2-BJ8	1		£188.48
GS4920	OIL SEAL - SPEEDO PINION (O/D)	BN4-BT7	1	USE OD4550	
GS4921	OIL SEAL - SPEEDO PINION (NON O/D)	BN4-BT7	1	2A3254 (461-445)	£1.49
GS4940	DOWEL BOLT - BELL HOUSING	BN2-BJ8	2	AEC3487	£11.21
GS4960	BELL HOUSING	BN2	1	1B3703	£625.61
GS4961	BELL HOUSING (USED)	BN4-BT7 (S/ CHANGE)	1	AEC3534	£186.90
GS4962	FITTING KIT - BELL HOUSING	BN2-BJ8	1		£7.00
GS4964	COVER - STARTER MOTOR END (USED)	BN1-BJ8	1	1B3346 (1B3346)	£21.85
GS4967	TRANSMISSION TUNNEL - ALUMINIUM	100S	1		£516.81
GS4968	TRANSMISSION TUNNEL - STEEL	BN2	1	4B2259	£595.00
GS4970	TRANSMISSION TUNNEL - FIBREGLASS	BN4-BT7 (S/ CHANGE)	1	AHB8377 (856-430)	£84.85
GS4980	RUBBER PLUG - TRANSMISSION COVER	BN2-BT7	1	4G4920 (680-940)	£1.56
GS5000	DIPSTICK CONVERSION	BN2-BT7	1	CGBS257	£21.66
GS5001	G/BOX DIPSTICK FELT WASHER	BN2-BT7	1	1G3804	£1.55



Grille

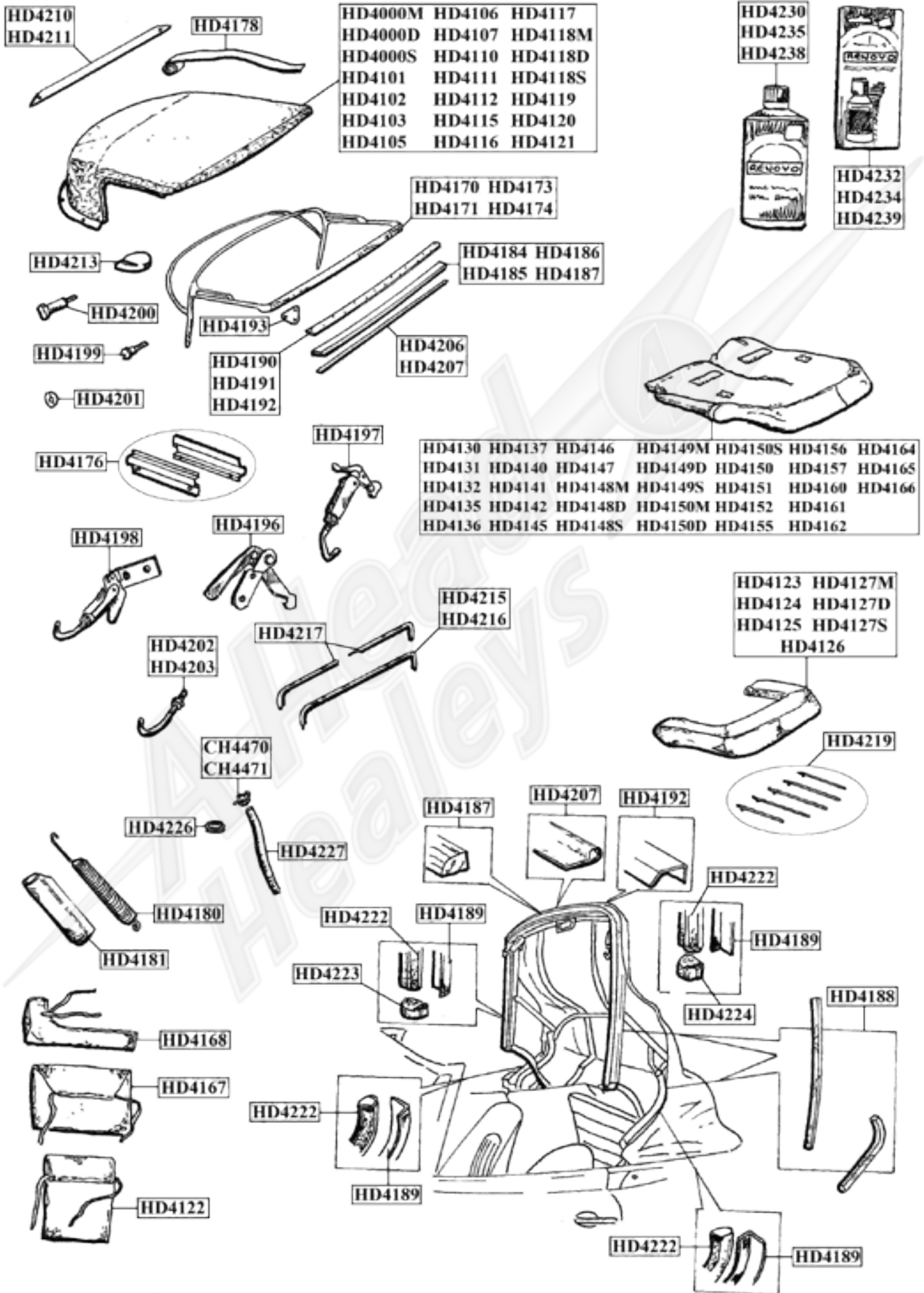


Grille

PART №	DESCRIPTION	APPLICATION	QTY	NOTES	PRICE
GL4010	GRILLE SLAT ASSEMBLY (SATIN CHROME)	BN1-BN2	1	14B4568 (870-050)	£268.00
GL4012	GRILLE SLAT ASSEMBLY (CHROME PLATED)	BN1-BN2	1	14B4568 (870-050)	£286.25
GL4015	GRILLE SLAT ASSEMBLY (POLISHED ONLY)	BN1-BN2	1	14B4568 (870-050)	£245.00
GL4020	GRILLE SLAT ASSEMBLY - HORIZ. SLAT	BN4-BT7(MK1)	1	14B5759 (870-060)	£178.95
GL4030	GRILLE SLAT ASSEMBLY - VERT. SLAT	BT7 MK2-BJ8	1	AHB9000 (031-360)	£126.12
GL4041	GRILLE & SURROUND - UNPLATED	100S	1		£770.50
GL4060	SURROUND - GRILLE SLAT	BT7 MK2-BJ8	1	AHB8999 (031-361)	£350.68
GL4070	GRILLE & SURROUND - ASSEMBLED	BN1-BN2	1	SATIN GRILLE (CHROME SUR.)	£470.00
GL4072	GRILLE & SURROUND - ASSEMBLED	BN1-BN2	1	CHROME GRILLE (CHROME SUR.)	£494.00
GL4090	BOTTOM FINISHER	BN4-BT7(MK1)	1	14B5796 (870-100)	£21.10
GL4100	TOP COWL	BN4-BT7(MK1)	1	14B5773 (870-090)	£126.33
GL4110	TOP COWL	BT7 MK2-BJ8	1	AHB9001 (870-110)	£151.50
GL4120	BONNET GRILLE	BN4-BT7(MK1)	1	14B5779 (870-120)	£27.55
GL4130	BONNET GRILLE	BT7 MK2-BJ8	1	AHB9005 (031-349)	£27.85
GL4140	TOP COWL - BONNET GRILLE	BN4-BJ8	1	14B5777 (031-351)	£24.50
GL4150	CLAW WASHER - GRILLE FIXING	BN1-BN2	5	4B4570 (325-760)	£2.80
GL4160	FIXING KIT - RADIATOR GRILLE	BT7 MK2-BJ8	1		£16.68
GL4169	SHROUD BRACKETS (HORIZ. SLAT GRILLE)	BN4-BT7 MK1	1	SET OF 3	£14.45
GL4170	SHROUD BRACKETS (VERT. SLAT GRILLE)	BT7 MK2-BJ8	1	SET OF 3	£14.45
GL4180	GRILLE MESH - STAINLESS STEEL (32IN X 12IN)	BN1-BJ8	1		£62.75

GL

Hood & Tonneau



Hood & Tonneau

PART №	DESCRIPTION	APPLICATION	QTY	NOTES	PRICE
HD4000M	HOOD - MOHAIR	BN1-BT7	1	ALL COLOURS	£378.87
HD4000S	HOOD - EVERFLEX	BN1-BT7	1	NON STD. COLOUR	£179.69
HD4101	HOOD - BLACK	BN1-BN2	1	(021-525)	£162.50
HD4102	HOOD - BLUE	BN1-BN2	1	(641-000)	£162.50
HD4103	HOOD - RED	BN1-BN2	1	(641-995)	£179.69
HD4105	HOOD - BLACK	BN4-BN4.68959	1	(021-527)	£162.50
HD4106	HOOD - BLUE	BN4-BN4.68959	1	(641-020)	£162.50
HD4107	HOOD - RED	BN4-BN4.68959	1	(641-015)	£179.69
HD4110	HOOD - BLACK	BN4.68960 ON & BT7	1	AHB8802 (641-030)	£162.50
HD4111	HOOD - BLUE	BN4.68960 ON & BT7	1	(641-050)	£162.50
HD4112	HOOD - RED	BN4.68960 ON & BT7	1	(641-045)	£179.69
HD4115	HOOD - BLACK	BN6&BN7	1	(021-529)	£162.50
HD4116	HOOD - BLUE	BN6&BN7	1	(641-010)	£162.50
HD4117	HOOD - RED	BN6&BN7	1	(641-005)	£179.69
HD4118M	HOOD - MOHAIR (ZIP WINDOW)	BJ7-BJ8	1	ALL COLOURS	£401.15
HD4118S	HOOD - EVERFLEX (ZIP WINDOW)	BJ7-BJ8	1	NON STD. COLOUR	£203.99
HD4119	HOOD - RED (ZIP WINDOW)	BJ7-BJ8	1		£203.99
HD4120	HOOD - BLACK (ZIP WINDOW)	BJ7-BJ8	1	8G8847 (021-533)	£184.95
HD4121	HOOD - BLUE (ZIP WINDOW)	BJ7-BJ8	1	(641-080)	£184.95
HD4122	STOWAGE BAG - HOOD COVER (BLACK)	BJ7-BJ8	1	(641-055)	£17.50
HD4123	HOOD COVER - BLACK	BJ7	1	(643-080)	£99.60
HD4124	HOOD COVER - BLUE	BJ7	1	(643-110)	£99.60
HD4125	HOOD COVER - BLACK	BJ8	1	(643-090)	£99.45
HD4126	HOOD COVER - BLUE	BJ8	1	(643-130)	£99.60
HD4127M	HOOD COVER - MOHAIR	BJ7-BJ8	1	ALL COLOURS	£194.50
HD4127S	HOOD COVER - EVERFLEX	BJ7-BJ8	1	NON STD. COLOUR	£110.85
HD4128	ZIP OUT WINDOW - EVERFLEX (NON STANDARD)	BN1-BJ8	1	ALL COLOURS	£72.28
HD4130	TONNEAU COVER - RHD (BLACK)	BN1-BN2	1		£102.94
HD4131	TONNEAU COVER - RHD (BLUE)	BN1-BN2	1		£102.94
HD4132	TONNEAU COVER - RHD (RED)	BN1-BN2	1		£113.24
HD4135	TONNEAU COVER - RHD (BLACK)	BN4&BT7	1		£126.75
HD4136	TONNEAU COVER - RHD (BLUE)	BN4&BT7	1		£126.75
HD4137	TONNEAU COVER - RHD (RED)	BN4&BT7	1		£139.42
HD4140	TONNEAU COVER - RHD (BLACK)	BN6-BN7	1		£102.94
HD4141	TONNEAU COVER - RHD (BLUE)	BN6-BN7	1		£102.94
HD4142	TONNEAU COVER - RHD (RED)	BN6-BN7	1		£113.24
HD4145	TONNEAU COVER - RHD (BLACK)	BJ7-BJ8	1		£140.51
HD4146	TONNEAU COVER - RHD (BLUE)	BJ7-BJ8	1		£140.51
HD4147	TONNEAU COVER - RHD (RED)	BJ7-BJ8	1		£154.57
HD4148M	TONNEAU COVER - MOHAIR (RHD & LHD)	BN1-BN2 & BN6-BN7	1	ALL COLOURS	£210.40
HD4148S	TONNEAU COVER - EVERFLEX (RHD & LHD)	BN1-BN2 & BN6-BN7	1	NON STD. COLOUR	£113.24
HD4149M	TONNEAU COVER - MOHAIR (RHD & LHD)	BN4&BT7	1	ALL COLOURS	£235.69
HD4149S	TONNEAU COVER - EVERFLEX (RHD & LHD)	BN4&BT7	1	NON STD. COLOUR	£139.42
HD4150	TONNEAU COVER - LHD (BLACK)	BN1-BN2	1	(021-535)	£102.94

HD

Hood & Tonneau

PART No	DESCRIPTION	APPLICATION	QTY	NOTES	PRICE
HD4150M	TONNEAU COVER - MOHAIR (RHD & LHD)	BJ7-BJ8	1	ALL COLOURS	£244.13
HD4150S	TONNEAU COVER - EVERFLEX (RHD & LHD)	BJ7-BJ8	1	NON STD. COLOUR	£154.57
HD4151	TONNEAU COVER - LHD (BLUE)	BN1-BN2	1	(643-010)	£102.94
HD4152	TONNEAU COVER - LHD (RED)	BN1-BN2	1	(643-005)	£113.24
HD4155	TONNEAU COVER - LHD (BLACK)	BN4&BT7	1	AHB8701 (021-537)	£126.75
HD4156	TONNEAU COVER - LHD (BLUE)	BN4&BT7	1	4B3229 (643-050)	£126.75
HD4157	TONNEAU COVER - LHD (RED)	BN4&BT7	1	(643-045)	£139.42
HD4160	TONNEAU COVER - LHD (BLACK)	BN6&BN7	1	(021-536)	£102.94
HD4161	TONNEAU COVER - LHD (BLUE)	BN6&BN7	1	(643-030)	£102.94
HD4162	TONNEAU COVER - LHD (RED)	BN6&BN7	1	(643-035)	£113.24
HD4164	TONNEAU COVER - LHD (RED)	BJ7-BJ8	1	(643-065)	£154.57
HD4165	TONNEAU COVER - LHD (BLACK)	BJ7-BJ8	1	(021-539)	£140.51
HD4166	TONNEAU COVER - LHD (BLUE)	BJ7-BJ8	1	(643-070)	£140.51
HD4167	STOWAGE BAG - TONNEAU (BLACK)	BJ7-BJ8	1	AHB9900 (641-075)	£19.50
HD4168	STOWAGE BAG - TONNEAU RAILS (ARMACORD)	BJ7-BJ8	1	(641-085)	£11.90
HD4170	FRAME - HOOD	BN1-BN2	1	7H9735 (453-670)	£198.50
HD4171	FRAME - HOOD	BN4-BN4.68959	1	14B8453 (453-675)	£207.95
HD4173	FRAME - HOOD	BN6&BN7	1	24B1588 (453-695)	£175.95
HD4174	FRAME - HOOD	BN4.68960-BT7	1	AHB8354 (453-665)	£199.50
HD4175	FRAME - HOOD (USED)	BJ7-BJ8	1	8G8754/8G8826	£265.00
HD4176	HOOD SLIDE ASSY. - PAIR	BN4-BN4.68959	1	14B6793 (805-555/565)	£49.95
HD4177	LOCATION BRACKET - HOOD FRAME (LEFT SIDE ONLY)	BN4-BN4.68959	1		£41.99
HD4178	WEBBING - HOOD FRAME (PER CAR)	BN1-BJ8	1	(641-008)	£4.20
HD4179	CLIP - RETAINING (WEBBING)	BN4,BT7,BJ7-BJ8.	2	AHB5407	£7.55
HD4180	SPRING - HOOD FRAME	BJ7-BJ8	2	AHB9531 (805-010)	£6.36
HD4181	COVER - HOOD SPRING	BJ7-BJ8	2	(805-015)	£0.95
HD4183	OFF-WHITE VINYDE - WOODWORK (PER METRE)	BJ8	AR		£23.50
HD4184	WOOD BOW - HOOD	BN6-BN7	1	AHB5944	£47.58
HD4185	WOOD BOW - HOOD	BN1-BN2	1	(021-580)	£14.22
HD4186	WOOD BOW - HOOD	BN4&BT7	1	(806-080)	£47.58
HD4187	WOOD BOW - HOOD	BJ7-BJ8	1	AHB9576 (806-090)	£49.77
HD4188	WOOD FRAMEWORK - HOOD FRAME	BJ7-BJ8	1	(806-098)	£65.85
HD4189	RETAINER - SIDE & REAR CANTRAIL	BJ7-BJ8	1	AHB9594 (806-198)	£47.95
HD4190	FINISHER STRIP - ALUMINIUM	BN4&BT7	1	14B8471 (806-110)	£36.40
HD4191	FINISHER STRIP - ALUMINIUM	BN6&BN7	1	24B789 (806-100)	£46.00
HD4192	FINISHER STRIP - ALUMINIUM	BJ7-BJ8	1	AHB9593 (806-115)	£46.50
HD4193	CHROME RETAINER - HOOD BOW	BN1-BN2	3	14B2525 (644-205)	£5.79
HD4196	TOGGLE CLAMP ASSY. - PAIR	BN1-BN4 & BT7	1	14B8842 (805-008)	£45.00
HD4197	TOGGLE CLAMP ASSY. - PAIR	BN6,BN7 & BT7 H/ TOP	1	24B1709 (805-028)	£130.85
HD4198	TOGGLE CLAMP ASSY. - PAIR	BJ7-BJ8	1	AHB9915 (805-068)	£49.95
HD4199	STUD - HOOD CLAMP FOR W/SCREEN	BN1-BN2	2	14B1858 (021-953)	£6.13
HD4200	STUD - HOOD CLAMP FOR W/SCREEN	BN4-BT7	2	14B7660 (805-125)	£8.74
HD4201	CURVED WASHER - CLAMP STUD	BN1-BN2	2	(806-700)	£1.66
HD4202	TOGGLE CLAMP HOOKS - PAIR (S.S.)	BN6-BN7	1	24B1716/7	£9.35
HD4203	TOGGLE CLAMP HOOKS - PAIR (S.S.)	BJ7-BJ8 & ALL H/ TOPS	1	AHB9835 (805-308)	£15.75

Hood & Tonneau

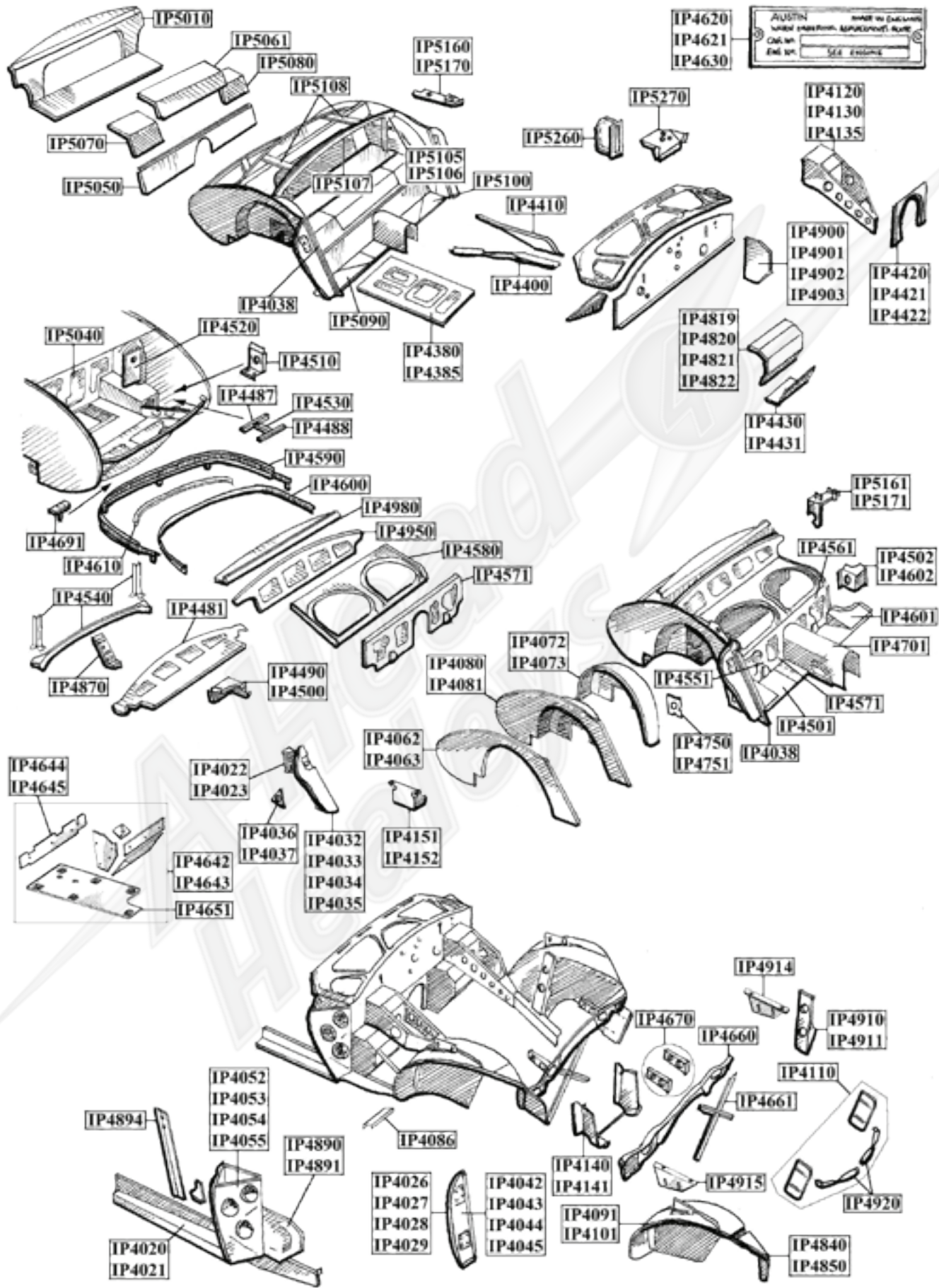
PART №	DESCRIPTION	APPLICATION	QTY	NOTES	PRICE
HD4204	PACKER-TOGGLE CLAMP (2 SEATER)	BN6-BN7	2	AHB5943	£8.92
HD4205	FIXING PLATE - HOOD CLAMPS	BN6-BN7	2	24B1718	£6.45
HD4206	SEAL STRIP - HOOD RAIL (SCREENTOP)	BN1-BT7	1	14B8472 (682-350)	£7.10
HD4207	SEAL STRIP - HOOD RAIL (SCREENTOP)	BJ7-BJ8	1	AHB9884 (682-360)	£6.25
HD4210	REAR BAR - HOOD RETAINING	BN1-BN2	1	(644-200)	£12.50
HD4211	REAR BAR - HOOD RETAINING	BN6&BN7	1	(644-210)	£12.35
HD4213	CHROME RETAINER - REAR BAR	BN1-BN2 & BN6-BN7	2	14B1730 (470-747)	£3.91
HD4214	BRACKET SET - TONNEAU BAR (PR)	BN4-69595	1	14B7838P	£26.97
HD4215	TONNEAU RAIL - LONGBRIDGE CARS	BN4 LONGBRIDGE CARS	1	14B7837 (453-645)	£44.37
HD4216	TONNEAU RAIL ASSY.	BN4.68960.ON&BT7	1	AHB8395 (453-660)	£22.50
HD4217	TONNEAU RAIL ASSY.	BJ7-BJ8	1	AHB9824 (021-541)	£19.25
HD4219	STIFFENER SET - TONNEAU	BN4&BT7	1	4B8372 (453-658)	£38.95
HD4222	SEAL SET - HOOD & SCREEN PILLARS	BJ7-BJ8	1	AHB9587 (249-607)	£18.50
HD4223	END CAPPINGS - HOOD SEAL (RH)	BJ7-BJ8	4	AHB9788 (021-778)	£1.18
HD4224	END CAPPINGS - HOOD SEAL (LH)	BJ7-BJ8	4	AHB9789 (021-779)	£1.18
HD4226	GROMMET - DRAIN TUBE	BJ7-BJ8	5	14B9820 (681-045)	£1.09
HD4227	DRAIN TUBE - COCKPIT CHANNEL	BJ7-BJ8	5	AAA2456 (807-045)	£3.50
HD4230	RENOVO VINYL HOOD CLEANER	BN1-BJ8	AR	POA	£6.88
HD4232	RENOVO VINYL ULTRA PROOFER	BN1-BJ8	AR	POA	£7.37
HD4234	RENOVO PLASTIC WINDOW POLISH - 50ML	BN1-BJ8	AR		£7.95
HD4235	RENOVO MOHAIR HOOD CLEANER - 500ML (BLACK)	BN1-BJ8	AR		£14.50
HD4236	RENOVO MOHAIR HOOD CLEANER - 500ML (BLUE)	BN1-BJ8	AR	500ml (BLUE)	£14.50
HD4237	RENOVO MOHAIR HOOD ULTRA PROOFER (1 LITRE)	BN1-BJ8	AR	1 LITRE	£16.95
HD4238	HARDTOP ASSEMBLY - BLACK	BN1-BN2	1	C/W SIDESCREENS	£2,995.00
HD4240	HARDTOP - INCL. ALL SEALS & VENT	BJ7-BJ8	1	BLACK OR WHITE	£2,525.00
HD4241	HARDTOP - INCL. ALL SEALS	BJ7-BJ8	1	BLACK OR WHITE	£2,075.45
HD4242	HARDTOP - REPLICA	BN4-BT7	1	27H9892R	£2,655.00
HD4243	REAR SCREEN - HARDTOP	BN7	1	27H9772 (021-863)	£177.50
HD4244	REAR SCREEN - HARDTOP	BN4&BT7	1	27H9593 (021-862)	£177.50
HD4245	REAR SCREEN - HARDTOP	BJ7-BJ8	1	(021-864)	£192.00
HD4246	HARDTOP VENT KIT - COMPLETE	BJ7-BJ8	1	27H9892	£198.85
HD4247	LINING MATERIAL - HARDTOP (CAR SET)	ALL HARDTOPS	1		£67.55
HD4248	HEADLINING KIT - HARDTOP	BN4-BJ8	1		£185.75
HD4249	SEAL SET - REAR SCREEN	BN4,BN6,BT7 & BN7	1	27H9594	£52.05
HD4250	PILLAR SUPPORTS - PR	BN4-BT7	1	27H9587/8	£205.00
HD4251	QUARTER PANELS - HARDTOP (PR)	BN4-BT7	1		£43.29
HD4252	SEAL KIT - HARDTOP (LESS REAR SCREEN SEAL)	BN6-BN7	1	27H9893	£156.50
HD4253	SEAL KIT - HARDTOP (LESS REAR SCREEN SEAL)	BN4-BT7	1	27H9892	£166.45
HD4254	LOCATING PIN SET	BN4-BT7	1	27H9894	£26.05
HD4255	PERIMETER SEAL KIT - HARDTOP	BJ7-BJ8	1		£65.00
HD4256	SECURING PLATE - HARDTOP	BN4-BT7	2	27H9589	£15.20
HD4257	WING NUT - HARD TOP	BN4-BT7	2	27H9591	£17.53
HD4258	SECURING HOOK - HARDTOP	BN4-BT7	2	27H9590	£22.73
HD4259	CORNER BRACKET SET - HARDTOP	BN6,BN7 & BT7	1	27H9673	£124.80
HD4260	SEAL SET - HARDTOP	BJ8	1	USE HD4255	

HD

Hood & Tonneau

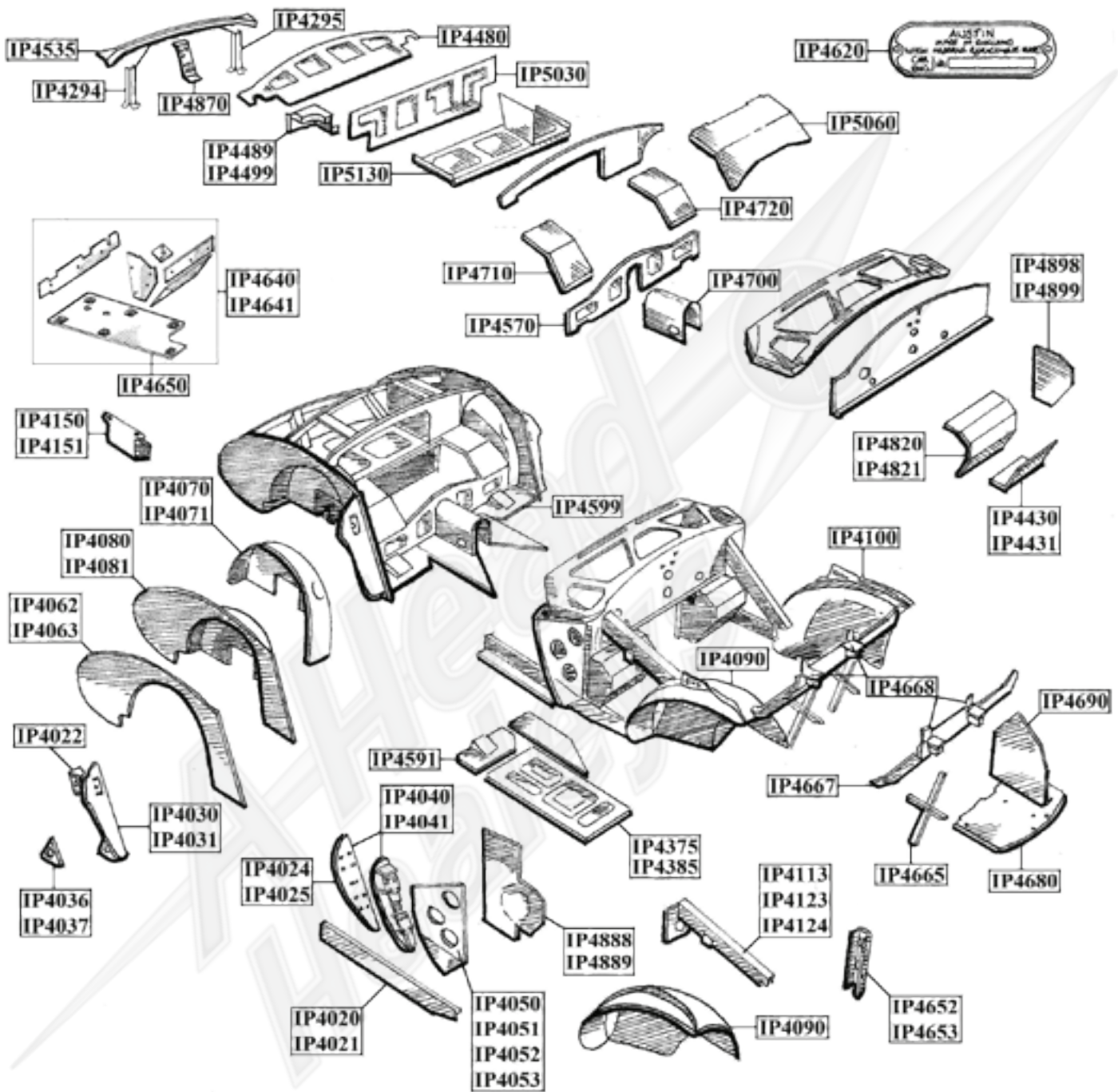
PART No	DESCRIPTION	APPLICATION	QTY	NOTES	PRICE
HD4261	CLAMP SET - HARDTOP	BJ8	1		£72.60
HD4262	WEDGE SET - HEADLINING	BN4-BT7	1		£18.90
HD4263	HARDTOP SCREW FIXING KIT	BN4&BT7	1		£16.65
HD4264	BRACKET- REAR HARDTOP MOUNTING (PR)	BJ7-BJ8	1		£124.45
HD4265	BADGE - HARDTOP (WARWICK)	BJ7-BJ8	2		£18.90
HD4270	QUARTER PANELS - HEAD LINING (PR)	BN4, BN6, BN7 & BT7	1	27H9892Q/P	£39.50
HD4271	CRASH ROLL (PADDED) - HEADLINING	BN4, BN6, BN7 & BT7	1	27H9892CP	£99.50
HD4272	WOODEN PACKER - HARDTOP (PR)	BN4, BN6, BN7 & BT7	2	27H9894	£18.90
HD4280	EVERFLEX - PER METRE				£33.32

Inner Body Panels

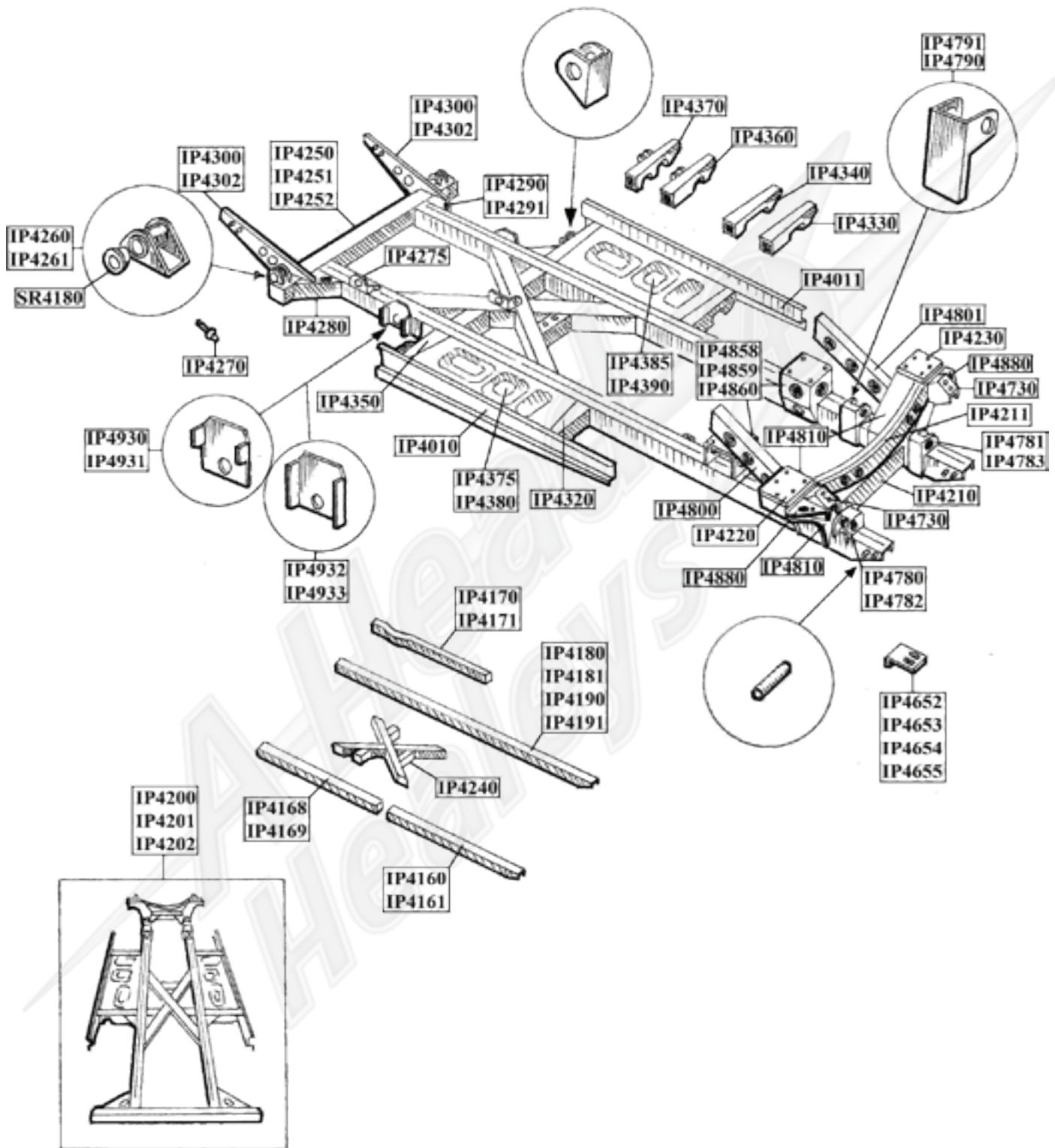


IP

Inner Body Panels



Inner Body Panels



IP

Inner Body Panels

PART No	DESCRIPTION	APPLICATION	QTY	NOTES	PRICE
IP4010	INNER SILL PANEL - RH (ORIGINAL 1.5MM GAUGE)	BN1-BJ8	1	11B5264 (856-060)	£16.00
IP4011	INNER SILL PANEL - LH (ORIGINAL 1.5MM GAUGE)	BN1-BJ8	1	11B5265 (856-050)	£16.00
IP4020	INTERMEDIATE SILL PANEL - RH (ORIGINAL 1.5MM GAUGE)	BN1-BJ8	1	14B5809 (056-060)	£16.00
IP4021	INTERMEDIATE SILL PANEL - LH (ORIGINAL 1.5MM GAUGE)	BN1-BJ8	1	14B5810 (056-050)	£16.00
IP4022	TRIANGLE BOX SHUT PILLAR	BN1-BT7	2	806-605 (806-605)	£8.93
IP4023	TRIANGLE BOX SHUT PILLAR	BJ7-BJ8	2		£8.93
IP4024	HINGE PANEL COVER - RH	BN1(B.5001 ON)-BN2	1		£34.50
IP4025	HINGE PANEL COVER - LH	BN1(B.5001 ON)-BN2	1		£34.50
IP4026	HINGE PANEL COVER - RH	BN4-BT7	1		£34.50
IP4027	HINGE PANEL COVER - LH	BN4-BT7	1		£34.50
IP4028	HINGE PANEL COVER - RH	BJ7-BJ8	1		£38.50
IP4029	HINGE PANEL COVER - LH	BJ7-BJ8	1	(806-285)	£38.50
IP4030	DOOR SHUT PANEL - RH	BN1-BN2	1	4B7434 (806-045)	£18.45
IP4030A	DOOR SHUT SKIN - RH (WITH ORIGINAL PRESSING)	BN1-BN2	1	4B7434	£37.28
IP4031	DOOR SHUT PANEL - LH	BN1-BN2	1	4B7435 (806-055)	£18.45
IP4031A	DOOR SHUT SKIN - LH (WITH ORIGINAL PRESSING)	BN1-BN2	1	4B7435	£37.28
IP4032	DOOR SHUT PANEL - RH	BN4-BT7	1	AHB5392 (806-065)	£21.45
IP4032A	DOOR SHUT SKIN - RH (WITH ORIGINAL PRESSING)	BN4-BT7	1		£37.28
IP4033	DOOR SHUT PANEL - LH	BN4-BT7	1	AHB5393 (806-075)	£21.45
IP4033A	DOOR SHUT SKIN - LH (WITH ORIGINAL PRESSING)	BN4-BT7	1		£37.28
IP4034	DOOR SHUT PANEL - RH	BJ7-BJ8	1	8G9156 (806-085)	£22.45
IP4034A	DOOR SHUT SKIN - RH (WITH ORIGINAL PRESSING)	BJ7-BJ8	1		£37.28
IP4035	DOOR SHUT PANEL - LH	BJ7-BJ8	1	8G9157 (806-095)	£22.45
IP4035A	DOOR SHUT SKIN - LH (WITH ORIGINAL PRESSING)	BJ7-BJ8	1		£37.28
IP4036	GUSSET - PILLAR TO SILL (RH)	BN1-BJ8	1	(806-615)	£3.41
IP4037	GUSSET - PILLAR TO SILL (LH)	BN1-BJ8	1	(806-625)	£3.41
IP4038	EXTENSION PLATE - DOOR SHUT PANEL	BN4-BT7	2		£6.25
IP4040	HINGE PANEL - RH	BN1(B.5001 ON)-BN2	1	14B7436 (806-130)	£49.25
IP4041	HINGE PANEL - LH	BN1(B.5001 ON)-BN2	1	14B7437 (806-160)	£49.25
IP4042	HINGE PANEL - RH	BN4-BT7	1	4B9354 (806-140)	£59.25
IP4043	HINGE PANEL - LH	BN4-BT7	1	4B9355 (806-170)	£59.25
IP4044	HINGE PANEL - RH	BJ7-BJ8	1	8G9153 (806-120)	£63.00
IP4045	HINGE PANEL - LH	BJ7-BJ8	1	8G9154 (806-150)	£63.00
IP4050	REINF'G PANEL - HINGE PILLAR (RH)	BN1-BN1(B.5000)	1	(806-375)	£37.28
IP4051	REINF'G PANEL - HINGE PILLAR (LH)	BN1-BN1(B.5000)	1	(806-385)	£37.28
IP4052	REINF'G PANEL - HINGE PILLAR (RH)	BN1(B.5001)-BT7	1	4B9356 (805-605)	£32.45
IP4053	REINF'G PANEL - HINGE PILLAR (LH)	BN1(B.5001)-BT7	1	(805-615)	£32.45
IP4054	REINF'G PANEL - HINGE PILLAR (RH)	BJ7-BJ8	1	(805-635)	£32.45
IP4055	REINF'G PANEL - HINGE PILLAR (LH)	BJ7-BJ8	1	(805-645)	£32.45
IP4062	REAR INNER WING - RH	BN1-BJ8	1	(806-035)	£44.75
IP4063	REAR INNER WING - LH	BN1-BJ8	1	(806-025)	£44.75
IP4070	REAR WHEEL ARCH - RH	BN1-BN2	1	(806-610)	£198.00
IP4071	REAR WHEEL ARCH - LH	BN1-BN2	1	(806-620)	£198.00
IP4072	REAR WHEEL ARCH - RH	BN4-BJ8	1	(806-305)	£198.00

Inner Body Panels

PART No	DESCRIPTION	APPLICATION	QTY	NOTES	PRICE
IP4073	REAR WHEEL ARCH - LH	BN4-BJ8	1	(806-315)	£198.00
IP4080	REAR INNER WING WITH ARCH - RH	BN1-BJ8	1		£276.50
IP4081	REAR INNER WING WITH ARCH - LH	BN1-BJ8	1		£276.50
IP4082	GUSSET - RH (SHROUD FINISHER SUPPORT)	BJ7-BJ8	1		£8.98
IP4083	GUSSET - LH (SHROUD FINISHER SUPPORT)	BJ7-BJ8	1		£8.98
IP4086	SUPPORT BRACKET - WHEEL ARCH	BN4-BJ8	2		£5.20
IP4090	FRONT WHEEL ARCH - RH	BN1-BN2	1	(806-300)	£214.50
IP4091	FRONT WHEEL ARCH - RH	BN4-BJ8	1	(806-300)	£214.50
IP4100	FRONT WHEEL ARCH - LH	BN1-BN2	1	(806-310)	£214.50
IP4101	FRONT WHEEL ARCH - LH	BN4-BJ8	1	4B7428 (806-310)	£214.50
IP4105	FIREWALL PANEL - BAULKHEAD	BN1-BN2	1	C/W CAPTIVE NUTS	£73.45
IP4106	FRESH AIR BOX - FIREWALL PANEL (BULKHEAD)	BN1-BN2	1		£73.45
IP4107	FIREWALL PANEL - BAULKHEAD	BN4-BT7MK1	1		£65.45
IP4108	FRESH AIR BOX - FIREWALL PANEL (BAULKHEAD)	BN4-BT7MK1	1		£73.45
IP4110	SPLASH SHIELDS - FRONT W/ARCH (PR)	BN4-BJ8	1	14B6461/2 (806-320)	£45.85
IP4113	STRUT - BAULKHEAD TO ENGINE BEARER STRUT (RH)	BN1-BN2	2	(807-135)	£57.23
IP4116	MOUNTING BRACKET - BRAKE MASTER CYLINDER - RHD	BN1-BN2	1		£78.23
IP4120	BOX - PEDAL ACCOMMODATION - RH (UNASSEMBLED)	BN4-BJ8	1	AHB8953 (805-800)	£69.85
IP4123	STRUT - BAULKHEAD TO ENGINE BEARER STRUT (LH)	BN1-BN2	1	(807-145)	£57.23
IP4124	STRUT - BAULKHEAD TO ENGINE BEARER STRUT (RH)	100S	1		£109.50
IP4125	STRUT - BAULKHEAD TO ENGINE BEARER STRUT (LH)	100S	1		£109.50
IP4130	BOX - PEDAL ACCOMMODATION - LH (UNASSEMBLED)	BN4-BJ7	1	AHB8954 (805-810)	£71.93
IP4135	BOX - PEDAL ACCOMMODATION - LH (UNASSEMBLED)	BJ8	1	AHB8954 (805-812)	£71.93
IP4138	AIR INTAKE DEFLECTOR ASSY - RH (ALUMINIUM)	100S	1		£72.50
IP4139	AIR INTAKE DEFLECTOR ASSY - LH (ALUMINIUM)	100S	1		£72.50
IP4140	AIR INTAKE DEFLECTOR ASSY - RAD. (HORIZ. GRILLE)	BN4-BT7	1	(806-330)	£27.56
IP4141	AIR INTAKE DEFLECTOR ASSY - RAD. (VERT. GRILLE)	BT7-BJ8	1	(806-340)	£29.25
IP4150	BUMP STOP BOX	BN1-BN1.221535	2	1B7391 (806-190)	£11.28
IP4151	BUMP STOP BOX	BN1.221536-BJ8.26704	2	1B7480 (806-180)	£9.19
IP4152	BUMP STOP BOX	BJ8.26705 ON	2	AHB9983 (806-200)	£10.70
IP4160	MAIN CHASSIS RAIL - FRONT HALF (RH)	BN1-BJ8	1	(857-885)	£348.60
IP4161	MAIN CHASSIS RAIL - FRONT HALF (LH)	BN1-BJ8	1	(857-895)	£348.60
IP4168	CHASSIS RAIL-REAR HALF - R/H	BN4-BJ8.26704	1	(856-785)	£366.45
IP4169	CHASSIS RAIL-REAR HALF - L/H	BN4-BJ8.26704	1	(856-795)	£366.45
IP4170	MAIN CHASSIS RAIL - REAR 24 RH	BJ8.26705 ON	1	(856-805)	£477.75
IP4171	MAIN CHASSIS RAIL - REAR 24 LH	BJ8.26705 ON	1	(856-815)	£477.75
IP4180	MAIN CHASSIS RAIL - FULL LENGTH (RH)	BN1-BN2	1	(857-805)	£655.00
IP4181	MAIN CHASSIS RAIL - FULL LENGTH (LH)	BN1-BN2	1	(857-815)	£655.00
IP4190	MAIN CHASSIS RAIL - FULL LENGTH (RH)	BJ8.26705 ON	1	AHB9955 (857-845)	£705.60
IP4191	MAIN CHASSIS RAIL - FULL LENGTH (LH)	BJ8.26705 ON	1	AHB9956 (857-855)	£705.60
IP4200	CHASSIS FRAME - C/W OUTRIGGERS & ENG. MTGS.	BN1-BN2	1		£4,147.50
IP4201	CHASSIS FRAME - C/W OUTRIGGERS & ENG. MTGS.	BN4-BJ8.26704	1		£4,147.50

IP

Inner Body Panels

PART No	DESCRIPTION	APPLICATION	QTY	NOTES	PRICE
IP4202	CHASSIS FRAME - C/W OUTRIGGERS & ENG. MTGS.	BJ8.26705 ON	1		£4,147.50
IP4209	CROSS MEMBER - UPPER (FRONT)	BN1-BN2	1		£60.22
IP4210	FRONT CROSS MEMBER	BN1-BJ8	1	1B8703 (806-400/515)	£47.50
IP4211	FRONT YOKE	BN4-BJ8	1	(857-490)	£69.00
IP4220	FRONT S/ABS MOUNTING PLATE - RH	BN1-BJ8	1	1B8839 (856-110)	£24.68
IP4230	FRONT S/ABS MOUNTING PLATE - LH	BN1-BJ8	1	1B8840 (856-120)	£24.68
IP4240	CROSS MEMBER ASSY. - CHASSIS CENTRE	BN1-BN2	1	(806-520)	£366.98
IP4245	MOUNTING BRACKET - GEARBOX	BN2-BJ8	1	11B5117	£23.94
IP4250	REAR CROSS MEMBER - INCL. SPRING HANGERS	BN1-BN2	1	(806-440)	£78.70
IP4251	REAR CROSS MEMBER - INCL. SPRING HANGERS	BN4-BJ8.26704	1	1B8641 (806-450)	£78.70
IP4252	REAR CROSS MEMBER - INCL. SPRING HANGERS	BJ8.26705 ON	1	(806-470)	£78.70
IP4260	SPRING HANGER (INC. BUSHES)	BN1-BJ7	2	1B8648 (806-465)	£15.91
IP4261	SPRING HANGER	BJ8	2	AHB9979 (806-475)	£14.44
IP4270	GREASE NIPPLE - SPRING HANGER	BN1-BJ8.26704	2	(725-145)	£2.47
IP4275	BRACKET - PANARD ROD	BN1-BJ8.26704	1	(856-515)	£27.83
IP4280	GUSSET - REAR CROSSMEMBER (RH)	BN1-BJ8	1	(806-415)	£11.25
IP4290	GUSSET - REAR CROSSMEMBER (LH) - 2 NUT	BN1-BJ7	1	(806-425)	£11.25
IP4291	GUSSET - REAR CROSSMEMBER (LH) - 4 NUT	BJ8	1	(806-435)	£14.50
IP4294	SUPPORT - BUMPER BRKT TO RR SKIRT (RH)	BN1-BN2	1		£4.73
IP4295	SUPPORT - BUMPER BRKT TO RR SKIRT (LH)	BN1-BN2	1		£4.73
IP4300	REAR CHASSIS EXTENSION (R/H OR L/H)	BN1-BN2	2	(806-445/455)	£29.25
IP4302	REAR CHASSIS EXTENSION (R/H OR L/H)	BN4-BJ8	2	11B5252 (857-660/670)	£29.25
IP4320	OUTRIGGER - FRONT (RH)	BN1-BJ8	1	1B8698 (857-600)	£24.00
IP4330	OUTRIGGER - FRONT (LH)	BN1-BJ7	1	1B8699 (857-610)	£24.45
IP4340	OUTRIGGER - FRONT (LH)	BJ8	1	AHB9988 (857-645)	£24.45
IP4350	OUTRIGGER - REAR (RH)	BN1-BJ8	1	11B5255 (857-620)	£47.45
IP4360	OUTRIGGER - REAR (LH)	BN1-BJ7	1	11B5228 (857-630)	£54.00
IP4370	OUTRIGGER - REAR (LH)	BJ8	1	AHB6001 (857-650)	£54.00
IP4375	MAIN FLOOR - RH	BN1-BN2	1	(855-945)	£36.70
IP4380	MAIN FLOOR - RH	BN4-BJ8	1	AHB9008 (856-030)	£18.25
IP4381	MAIN FLOOR - RH (CONCOURSE SPEC) - 18 GAUGE	BN4-BJ8	1		£36.70
IP4385	MAIN FLOOR - LH	BN1-BN2	1	(855-955)	£36.70
IP4390	MAIN FLOOR - LH	BN4-BJ8	1	AHB9009 (856-020)	£18.25
IP4391	MAIN FLOOR - LH (CONCOURSE SPEC) - 18 GAUGE	BN4-BJ8	1		£36.70
IP4393	INNER FLOOR PANEL (RH & LH)	BN1-BN2	2	14B1989	£6.75
IP4400	PANEL - FLANGE TO GEARBOX (RH)	BJ7-BJ8	1	AHB9170 (805-785)	£35.33
IP4410	PANEL - FLANGE TO GEARBOX (LH)	BJ7-BJ8	1	AHB9171 (805-785)	£35.33
IP4418	FRONT PANEL - GEARBOX TUNNEL	BN1	1		£61.79
IP4419	FRONT PANEL (ALUMINIUM) - GEARBOX TUNNEL	BN1	1		£79.43
IP4420	EXTENSION ASSY - GEARBOX COVER (SIDE CHANGE)	BN4-BT7	1	AHB8381 (807-115)	£60.13
IP4421	SCUTTLE REINFORCEMENT PANEL - (CENTRE CHANGE)	BT7-BJ8	1		£58.35
IP4430	FRONT FLOOR SECTION - RH	BN4-BJ8	1	(856-035)	£14.95
IP4431	FRONT FLOOR SECTION - LH	BN4-BJ8	1	(856-025)	£14.95
IP4480	BOOT FLOOR	BN1-BN2	1	14B1743 (856-140)	£32.45
IP4481	BOOT FLOOR	BN4-BJ8	1	(856-150/155)	£32.45
IP4487	BRACKET - BATTERY MOUNT (FRONT)	ALL 4 SEATERS	1		£8.93

Inner Body Panels

PART No	DESCRIPTION	APPLICATION	QTY	NOTES	PRICE
IP4488	BRACKET - BATTERY MOUNT (REAR)	ALL 4 SEATERS	1 OR 2		£8.93
IP4489	BOX - BOOT FLOOR (RH)	BN1-BN2	1	(856-320)	£26.83
IP4490	BOX - BOOT FLOOR (RH)	BN4-BJ8	1	(856-320)	£26.83
IP4499	BOX - BOOT FLOOR (LH)	BN1-BN2	1	(856-325)	£26.83
IP4500	BOX - BOOT FLOOR (LH)	BN4-BJ8	1	(856-325)	£26.83
IP4501	REAR FLOOR - RH	BN4-BJ8	1	(856-350)	£19.69
IP4502	RADIUS ARM BOX (RH)	BJ8.26705 ON	1	(856-595)	£35.72
IP4510	BATTERY SWITCH BRACKET	BN1-BJ8	1	(031-412)	£6.70
IP4520	BATTERY CABLE PANEL	BN1-BJ8	1	(856-330)	£12.34
IP4530	BATTERY BASE SUPPORT BRACKET	BN4,BT7,BJ7&BJ8	1	(805-830)	£3.90
IP4535	REAR SKIRT RAIL ASSY	BN1-BN2	1		£37.68
IP4540	REAR SKIRT RAIL ASSY	BN4-BJ8	1	4B9364 (805-725)	£32.45
IP4551	REAR HEEL BOARD-END PLATE - RH	BJ8.26705 ON	1	(856-310)	£34.00
IP4561	REAR HEEL BOARD-END PLATE - LH	BJ8.26705 ON	1	(856-315)	£34.00
IP4570	REAR HEEL BOARD BOARD - FULL WIDTH	BN1-BN2	1	14B1800 (806-660)	£59.29
IP4571	REAR HEEL BOARD BOARD - FULL WIDTH	BN4,BT7,BJ7-BJ8.	1		£59.29
IP4580	REAR SEAT SURROUND PANEL	BN4,BT7,BJ7&BJ8	1	(805-820)	£89.45
IP4590	HOOD DRAIN CHANNEL	BJ7-BJ8	1	(806-215)	£139.00
IP4591	REAR FLOOR - LH	BN1-BN2	1	(806-645)	£10.03
IP4599	REAR FLOOR - RH	BN1-BN2	1	(806-635)	£10.03
IP4600	HOOD RAIL TRIM - REAR	BJ7-BJ8	1	AHB9556 (806-735)	£24.45
IP4601	REAR FLOOR - LH	BN4-BJ8	1	(856-355)	£19.69
IP4602	RADIUS ARM BOX (LH)	BJ8.26705 ON	1		£35.72
IP4610	RAIL TRIM - UPPER	BJ7(B)59372-BJ8	1	AHB9943 (806-195)	£14.02
IP4619	CHASSIS PLATE - WHITE PLASTIC	BN1 (EARLY 1953-1954)	1		£29.93
IP4620	CHASSIS ID PLATE - LONGBRIDGE	BN1-BN4.50758	1	(408-930)	£5.51
IP4621	CHASSIS ID PLATE - ABINGDON	BN4.50759-BJ8	1	(408-920)	£6.45
IP4630	CHASSIS ID PLATE - ABINGDON	BJ8 LATE	1		£6.45
IP4640	HEAT SHIELD KIT - RHD	BN1-BN2	1		£59.90
IP4641	HEAT SHIELD KIT - LHD	BN1-BN2	1	(021-781)	£59.90
IP4642	HEAT SHIELD KIT	BN4-BJ7	1		£65.00
IP4643	HEAT SHIELD KIT	BJ8	1		£62.00
IP4644	HEAT SHIELD - BULKHEAD PANEL	BN4-BJ7	1		£7.30
IP4645	HEAT SHIELD - BULKHEAD PANEL	BJ8	1		£7.30
IP4650	HEAT SHIELD - UNDER FLOOR	BN1-BN2	1		£21.45
IP4651	HEAT SHIELD - UNDER FLOOR	BN4-BJ8	1		£21.45
IP4652	BRACKET - CHASSIS TO SHROUD (RH)	BN1-BN2	1	(858-585)	£3.89
IP4653	BRACKET - CHASSIS TO SHROUD (LH)	BN1-BN2	1	(858-595)	£3.89
IP4654	BRACKET - CHASSIS TO SHROUD (RH)	BN4-BJ8	1	14B7661 (805-285)	£3.97
IP4655	BRACKET - CHASSIS TO SHROUD (LH)	BN4-BJ8	1	14B7662 (805-295)	£3.97
IP4660	CROSS BRACE PANEL	BN4-BJ8	1	4B9353 (856-485)	£53.00
IP4661	CROSS BRACE ASSY	BN4-BJ8	1	4B9366 (856-590)	£32.50
IP4665	CROSS BRACE ASSY	BN1-BN2	2	(806-395)	£56.96
IP4667	HINGE PANEL - BONNET	BN1-BN2	1	4B7429 (806-345)	£51.98
IP4668	HINGE BRACKET - BONNET	BN1-BN2	2	14B1849 (805-535)	£31.76
IP4670	RADIATOR SUPPORT BRACKETS - PR	BN4-BJ8	1	14B5811 (856-695)	£31.50

IP

Inner Body Panels

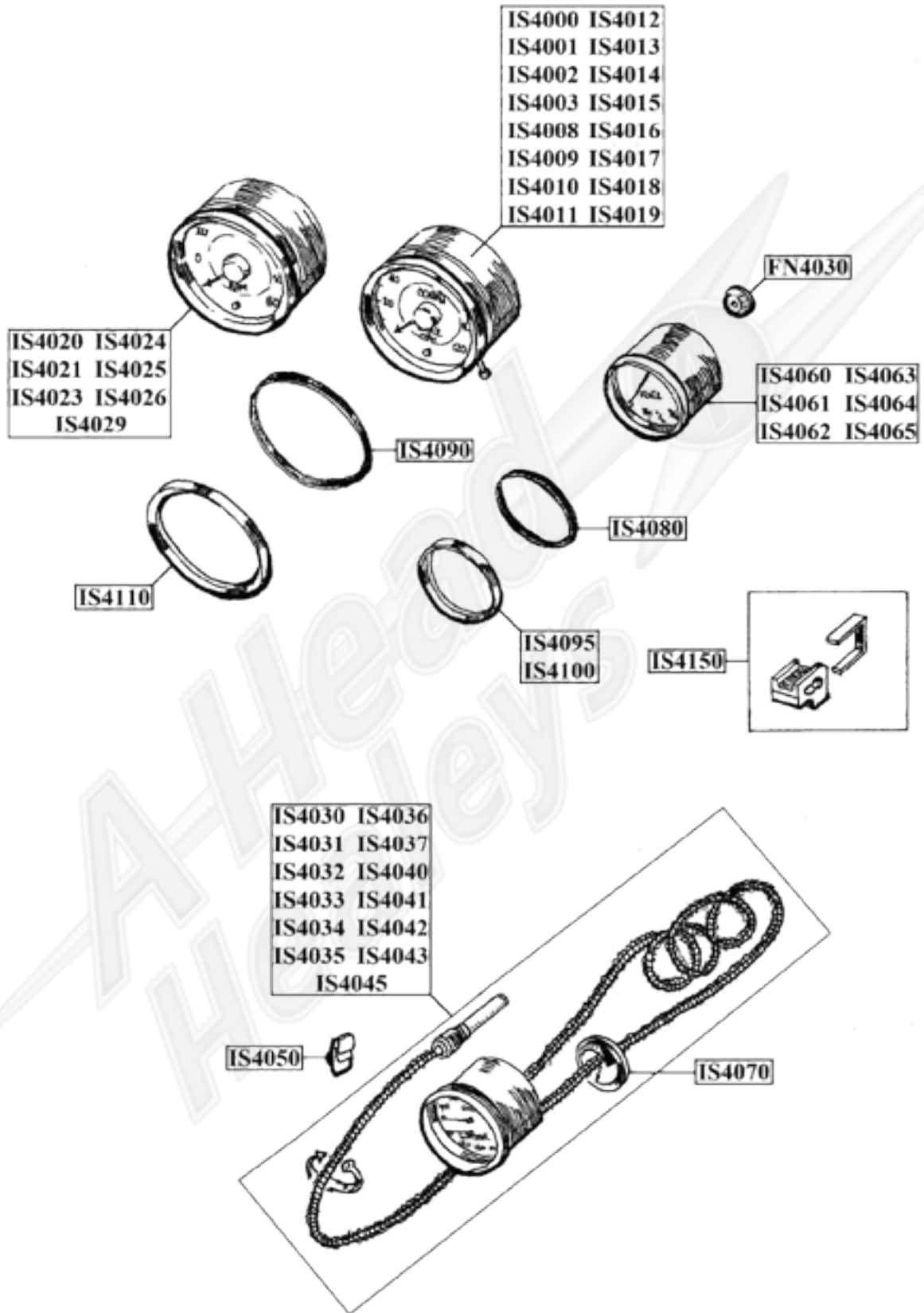
PART No	DESCRIPTION	APPLICATION	QTY	NOTES	PRICE
IP4680	APRON PANEL - BEHIND GRILLE	BN1-BN2	1	14B1818 (806-350)	£38.80
IP4690	DIVISION PANEL - RAD TO GRILLE	BN1-BN2	1	14B2757 (806-350)	£31.45
IP4691	EXHAUST MTG. STUD - BOOT FLOOR	BJ8	2		£1.00
IP4697	TRANSMISSION TUNNEL - INTERMEDIATE	BN1	1	3 SPEED ONLY	£37.38
IP4700	TRANSMISSION TUNNEL - REAR	BN1-BN2	1	14B1801 (806-630)	£37.95
IP4701	TRANSMISSION TUNNEL - REAR	BN4-BJ8	1	(805-775)	£37.95
IP4710	REAR DECK PANEL - R/H	BN1-BN2	1	14B1745 (806-675)	£17.06
IP4720	REAR DECK PANEL - L/H	BN1-BN2	1	14B1746 (806-685)	£17.06
IP4730	MOUNTING - STEERING BOX	BN4-BJ8	1	1B8731 (806-265)	£29.66
IP4750	RADIUS ARM STIFFENER - RH	BJ8.26705 ON	1	(856-745)	£15.91
IP4751	RADIUS ARM STIFFENER - LH	BJ8.26705 ON	1	(856-755)	£15.91
IP4780	FRONT WISHBONE MTG. - RH	BN1-BN2	1	(806-325)	£20.67
IP4781	FRONT WISHBONE MTG. - LH	BN1-BN2	1	(806-335)	£20.67
IP4782	FRONT WISHBONE MTG. - RH	BN4-BJ8	1	11B5218 (806-485)	£16.33
IP4783	FRONT WISHBONE MTG. - LH	BN4-BJ8	1	11B5220 (806-495)	£19.45
IP4790	REAR WISHBONE MTG. - RH	BN1-BJ8	1	11B5251 (857-485)	£16.01
IP4791	REAR WISHBONE MTG. - LH	BN1-BJ8	1	1B8685 (857-495)	£16.01
IP4800	ENGINE BEARER STRUT - RH & LH	BN1-BJ8	1	1B8670/72 (856-480/856-490)	£25.15
IP4810	HOUSING - FRONT SUSPENSION	BN4-BJ8	1	1B8766 (856-475)	£104.74
IP4816	BLANKING PLATE - BRAKE AND CLUTCH (FOOTWELL)	BN1-BN2	1		£7.72
IP4817	FULL FOOTWELL FLOOR - RH	BN1-BN2	1		£54.92
IP4818	FULL FOOTWELL FLOOR - LH	BN1-BN2	1		£54.92
IP4819	FULL FOOTWELL FLOOR - RH (WITH CAPTIVE NUTS FITTED)	BJ8	1	SERVO MODELS	£51.98
IP4820	FULL FOOTWELL FLOOR - RH (INCL. CAPTIVE NUTS)	BN4-BJ7	1		£51.98
IP4821	FULL FOOTWELL FLOOR - LH (INCL. CAPTIVE NUTS)	BN4-BJ8	1		£61.85
IP4840	FRONT WHEEL ARCH EXTENSION - RH	BN4-BJ8	1	(856-555)	£27.35
IP4850	FRONT WHEEL ARCH EXTENSION - LH	BN4-BJ8	1	(856-565)	£27.35
IP4858	ENGINE MOUNTING PLATFORM - RH	BN1-BN2	1		£210.68
IP4859	ENGINE MOUNTING PLATFORM - LH	BN1-BN2	1		£221.21
IP4860	ENGINE MOUNTING PLATFORM	BN4-BJ8	1	11B5213 (856-445/455)	£32.00
IP4870	BOOT CATCH STRUT	BN1-BJ8	1	(806-680)	£15.91
IP4880	STEERING BRACKET GUSSET	BN4-BJ8	1	11B5148	£8.93
IP4888	OUTER FOOTWELL SIDE PANEL - RH	BN1-BN2	1		£61.79
IP4889	OUTER FOOTWELL SIDE PANEL - LH	BN1-BN2	1		£61.79
IP4890	OUTER FOOTWELL SIDE PANEL - RH	BN1-BJ8	1	(805-685/735)	£51.00
IP4891	OUTER FOOTWELL SIDE PANEL - LH	BN1-BJ8	1	(805-695/745)	£51.00
IP4894	EXTENSION PLATE - SCUTTLE SIDE PANEL	BN4-BJ8	2	24B1682/3	£6.25
IP4898	INNER FOOTWELL SIDE PANEL - R/H	BN1-BN2	1	(806-565)	£28.05
IP4899	INNER FOOTWELL SIDE PANEL - L/H	BN1-BN2	1	(806-575)	£28.05
IP4900	INNER FOOTWELL SIDE PANEL - RH	BN4-BJ7	1		£16.07
IP4901	INNER FOOTWELL SIDE PANEL - RH	BJ8	1		£17.22
IP4903	INNER FOOTWELL PANEL - LH	BN4-BJ8	1		£16.01
IP4910	SHROUD SUPPORT - RH	BN4-BJ8	1	(856-675)	£8.87
IP4911	SHROUD SUPPORT - LH	BN4-BJ8	1	(856-685)	£8.87
IP4914	PLATE-SHROUD SUPPORT BRACKET - RH	BN4-BJ8	1	14B2005 (805-580)	£9.98
IP4915	PLATE-SHROUD SUPPORT BRACKET - LH	BN4-BJ8	1	14B2006 (805-580)	£9.98
IP4920	SPLASH SHIELD BRACKETS - PAIR	BN1-BJ8	1	(856-180)	£8.98

Inner Body Panels

PART №	DESCRIPTION	APPLICATION	QTY	NOTES	PRICE
IP4930	REAR SHOCK MTG. PLATE - RH	BN1-BJ8.26704	1	11B5231 (856-415)	£36.50
IP4931	REAR SHOCK MTG. PLATE - LH	BN1-BJ8.26704	1	11B5232 (856-415)	£36.50
IP4932	REAR SHOCK MTG. PLATE - RH	BJ8.26705 ON	1	AHB9972 (856-425)	£43.80
IP4933	REAR SHOCK MTG. PLATE - LH	BJ8.26705 ON	1	AHB9973 (856-435)	£43.80
IP4950	BACK PANEL - REAR SEATS (4 SEATERS)	BT7-BJ8	1		£61.79
IP4980	TOP RAIL - SEAT BACK PANEL (4 SEATERS)	BN4-BJ8	1		£10.34
IP5000	BOOT BAULKHEAD & SPARE WHEEL PANEL ASSEMBLY	BN1-BN2	1	14B1743	£135.98
IP5010	REAR DECK PANEL - 2 SEATERS	BN6&BN7	1		£150.00
IP5030	BOOT REAR BAULKHEAD	BN1-BN2	1	IBP297	£49.88
IP5032	REAR SHROUD SUPPORT - FRONT	BN1-BN2	1	WITH SPARE WHEEL APATURE	£132.04
IP5034	REAR SHROUD SUPPORT - REAR	BN1-BN2	1	C/W END PLATE SUPPORTS	£48.25
IP5040	BOOT REAR BULKHEAD	BN4-BJ8	1	14B1744	£49.88
IP5050	REAR HEEL BOARD - 2 SEATERS	BN6&BN7	1	(805-790)	£59.29
IP5059	BATTERY COVER ALLOY	100S	1		£81.00
IP5060	BATTERY COVER PANEL	BN1-BN2	1	(806-600)	£48.83
IP5061	BATTERY COVER PANEL - 2 SEATERS	BN6&BN7	1	(807-055)	£37.95
IP5070	REAR DECK PANEL - R/H	BN6&BN7	1		£19.43
IP5080	REAR DECK PANEL - L/H	BN6&BN7	1		£19.43
IP5090	REAR FLOOR - R/H (2 SEATERS)	BN6&BN7	1	(807-155)	£14.96
IP5100	REAR FLOOR - L/H (2 SEATERS)	BN6&BN7	1	(807-165)	£14.96
IP5105	END SUPPORT - REAR SHROUD R/H	BN6&BN7	1		£44.63
IP5106	END SUPPORT - REAR SHROUD L/H	BN6&BN7	1		£44.63
IP5107	SUPPORT CHANNEL-REAR SHROUD - 2 SEATER	BN6&BN7	1	AHB5394	£41.48
IP5108	SUPPORT BRACE-REAR SHROUD - 2 SEATER	BN6&BN7	2		£16.75
IP5130	REAR DECK - BOOT FLOOR ASSY	BN1-BN2	1	14B1743	£50.93
IP5134	LIP PANEL - TOOL/MASTER SWITCH COMPARTMENT	BN1-BN2	1		£11.50
IP5150	BOX - SHUT PANEL TO INNER WING - RH	BN4-BN4.68959	1		£76.13
IP5151	BOX - SHUT PANEL TO INNER WING - LH	BN4-BN4.68959	1		£76.13
IP5160	HOOD MOUNT PANEL - RH	BN4(LATE)-BT7	1		£36.38
IP5161	HOOD MOUNT PANEL - LH	BN4(LATE)-BT7	1		£36.38
IP5170	HOOD MOUNT PANEL - RH	BJ7-BJ8	1		£48.95
IP5171	HOOD MOUNT PANEL - LH	BJ7-BJ8	1		£48.95
IP5260	BONNET HINGE BOX	BN4-BJ8	1		£15.17
IP5269	WIPER MOTOR MOUNTING PLATE	BN1	1		£17.33
IP5270	WIPER MOTOR MOUNTING PLATE	BN2-BT7	1		£17.33
IP5271	WIPER MOTOR MOUNTING PLATE	BJ7-BJ8	1		£17.33
IP5430	MOUNTING PLATE - HANDBRAKE LEVER	BN4-BJ8	1	11B5236	£24.10
IP5550	CLUTCH SHAFT MOUNTING	BN1-BN2	1		£35.70
IP5570	PIVOT - CLUTCH LINKAGE	BN1-BJ7	1		£22.93

IP

Instruments



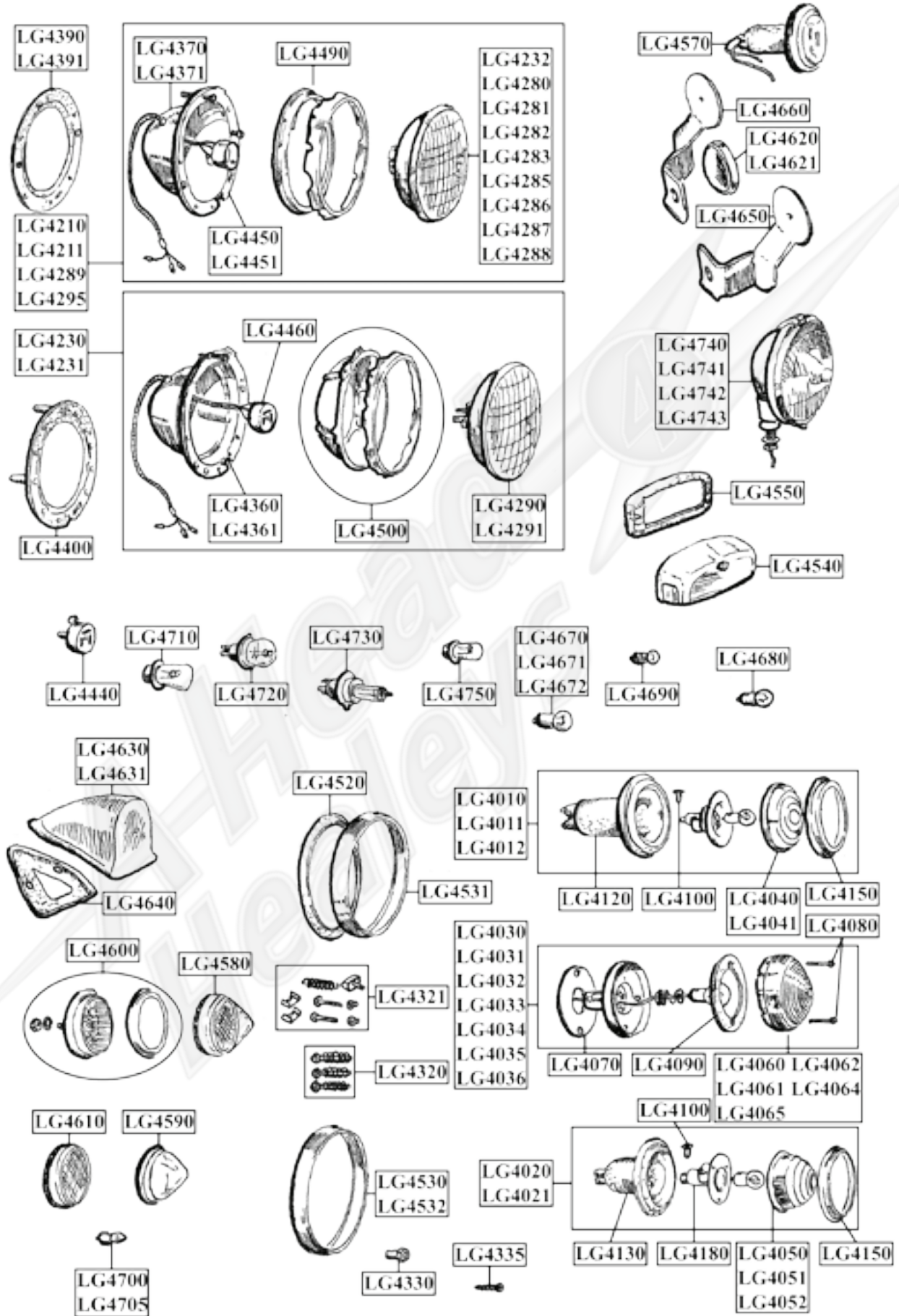
Instruments

PART №	DESCRIPTION	APPLICATION	QTY	NOTES	PRICE
IS4000	SPEEDOMETER - MPH (EXCHANGE)	BN1-BN2	1	3H3061 (021-490)	£72.50
IS4001	SPEEDOMETER - MPH (OUTRIGHT)	BN1-BN2	1	3H3061 (021-490)	£182.50
IS4002	SPEEDOMETER - KPH (OUTRIGHT)	BN1-BN2	1	1B2806	£182.50
IS4003	SPEEDOMETER - LE MANS (140 MPH) OUTRIGHT	100M	1	7H1751	£228.50
IS4008	SPEEDOMETER - KPH (EXCHANGE) WITH O/D	BN4-BJ7	1		£72.50
IS4009	SPEEDOMETER - KPH (OUTRIGHT) O/D	BT7-BJ7	1		£182.50
IS4010	SPEEDOMETER - MPH (EXCHANGE) O/D	BN4-BN6	1	1B9057 (021-496)	£72.50
IS4011	SPEEDOMETER - MPH (EXCHANGE) NON O/D	BN4-BN6	1	1B9059 (021-493)	£72.50
IS4012	SPEEDOMETER - MPH (EXCHANGE) O/D	BT7-BJ7	1	BHA4126 (021-502)	£72.50
IS4013	SPEEDOMETER - MPH (OUTRIGHT) O/D	BT7-BJ7	1	BHA4126 (021-502)	£182.50
IS4014	SPEEDOMETER - MPH (EXCHANGE) NON O/D	BT7-BJ7	1	BHA4124 (021-499)	£72.50
IS4015	SPEEDOMETER - MPH (EXCHANGE) O/D	BJ8	1	BHA4429 (021-508)	£72.50
IS4016	SPEEDOMETER - MPH (OUTRIGHT) O/D	BJ8	1	BHA4429 (021-508)	£182.50
IS4017	SPEEDOMETER - KPH (EXCHANGE) O/D	BJ8	1	BHA4430	£72.50
IS4018	SPEEDOMETER - KPH (OUTRIGHT) O/D	BJ8	1	BHA4430	£182.50
IS4019	SPEEDOMETER - MPH (EXCHANGE) NON O/D	BJ8	1	BHA4427 (021-505)	£72.50
IS4020	TACHOMETER - EXCHANGE	BN1-BN2	1	3H3062 (021-512)	£72.50
IS4021	TACHOMETER - OUTRIGHT	BN1-BN2	1	3H3062 (021-512)	£182.50
IS4023	TACHOMETER - EXCHANGE	BN4-BJ7	1	IB9188 (021-518)	£72.50
IS4024	TACHOMETER - OUTRIGHT	BN4-BJ7	1	1B9188 (021-518)	£182.50
IS4025	TACHOMETER - EXCHANGE	BJ8	1	BHA4431 (021-521)	£72.50
IS4026	TACHOMETER - OUTRIGHT	BJ8	1	BHA4431 (021-521)	£182.50
IS4029	TACHOMETER - ELECTRIC (WHITE FACE) NEG.	BN1-BJ8	1		£132.75
IS4030	OIL/WATER GAUGE - LBS/DEGREE F. (EXCHANGE)	BN1-BN2	1	1B2853 (021-555)	£68.50
IS4031	OIL/WATER GAUGE - LBS/DEGREE F. (OUTRIGHT)	BN1-BN2	1	1B2853 (021-555)	£158.00
IS4032	OIL/WATER GAUGE - LBS/DEGREE C. (EXCHANGE)	BN1-BN2	1		£68.50
IS4033	OIL/WATER GAUGE - LBS/DEGREE F. (EXCHANGE)	BN4-BN4.68959	1	1B9064 (021-558)	£68.50
IS4034	OIL/WATER GAUGE - LBS/DEGREE F. (EXCHANGE)	BN4.68960-BJ7	1	021-561 (021-561)	£68.50
IS4035	OIL/WATER GAUGE - LBS/DEGREE F. (OUTRIGHT)	BN4.68960-BJ7	1	BHA4113 (021-561)	£158.00
IS4036	OIL/WATER GAUGE - LBS/DEGREE C. (EXCHANGE)	BN4.68960-BJ7	1	BHA4252	£68.50
IS4037	OIL/WATER GAUGE - WHITE FACE (NON-ORIGINAL)	BN1-BJ8	1		£61.87
IS4040	OIL/WATER GAUGE - LBS/DEGREE F. (EXCHANGE)	BJ8	1	BHA4433 (021-564)	£68.50
IS4041	OIL/WATER GAUGE - LBS/DEGREE F. (OUTRIGHT)	BJ8	1	BHA4433 (021-564)	£158.00
IS4042	OIL/WATER GAUGE - LBS/DEGREE C. (EXCHANGE)	BJ8	1	BHA4434	£68.50
IS4043	OIL/WATER GAUGE - BLACK FACE (NON-ORIGINAL)	BN1-BJ8	1		£61.87
IS4045	OIL TEMPERATURE GAUGE (OUTRIGHT)	100S	1		£141.57
IS4050	CLIP - CAPILLARY SUPPORT	BT7-BJ8	2	BHA4081 (326-965)	£0.38
IS4060	FUEL GAUGE - EXCHANGE	BN1-BN2	1	3H3064 (021-545)	£58.50
IS4061	FUEL GAUGE - OUTRIGHT	BN1-BN2	1	3H3064 (021-545)	£164.00
IS4062	FUEL GAUGE - EXCHANGE	BN4-BJ7	1	1B9061 (021-548)	£58.50
IS4063	FUEL GAUGE - OUTRIGHT	BN4-BJ7	1	1B9061 (021-548)	£164.00
IS4064	FUEL GAUGE - EXCHANGE	BJ8	1	BHA4432 (021-551)	£58.50
IS4065	FUEL GAUGE - OUTRIGHT	BJ8	1	BHA4432 (021-551)	£164.00
IS4070	GROMMET - BAULKHEAD (OIL/WATER GAUGE)	BN1-BJ8	1	(680-630)	£0.40
IS4080	RUBBER RING - SMALL INSTRUMENT	BN1-BJ8	2	17H1642 (280-870)	£1.05
IS4090	RUBBER RING - LARGE INSTRUMENT	BN1-BJ8	2	AJH5178 (280-890)	£0.84
IS4095	CHROME RING - SMALL INSTRUMENT	BN1-BN2	2		£5.90

SI

Instruments

PART №	DESCRIPTION	APPLICATION	QTY	NOTES	PRICE
IS4100	CHROME RING - SMALL INSTRUMENT	BN4-BJ8	2	AJH5182 (360-075)	£6.80
IS4105	CHROME RING - LARGE INSTRUMENT	BN1-BN2	2		£7.99
IS4110	CHROME RING - LARGE INSTRUMENT	BN4-BJ8	2	27H397 (360-085)	£8.80
IS4120	GLASS - SMALL INSTRUMENT	BN1-BJ8	1 OR 2		£3.25
IS4130	GLASS - LARGE INSTRUMENT	BN1-BJ8	1 OR 2		£3.55
IS4140	INSTRUMENT FACES - CAR SET	BN1-BN2	1		£125.00
IS4141	INSTRUMENT FACES - CAR SET	BN4-BJ7	1		£125.00
IS4142	INSTRUMENT FACES - CAR SET	BJ8	1		£125.00
IS4150	NYLON SHOE & RETAINING STRIP - TACHOMETER	BJ8	1		£15.69
IS4160	THUMB NUT - SMALL	BN1-BJ8	4	17H932 (360-379)	£0.98
IS4170	THUMB NUT - LARGE	BN1-BJ8	4	17H1304 (361-035)	£1.35
IS4180	STRAP - SPEEDO & REV COUNTER MOUNTING	BN1-BJ8 235314	2	AJH5176	£12.60
IS4181	STRAP - SPEEDO & REV COUNTER MOUNTING	BJ8.25315 ON	4	17H1662	£7.95
IS4185	STRAP - OIL/WATER GAUGE MOUNTING	BN1-BJ7	1	27H992	£15.50
IS4186	STRAP - OIL/WATER GAUGE MOUNTING	BJ8	1	17H1676	£5.95
IS4190	STRAP - FUEL GAUGE MOUNTING	BN1-BJ7	1	17H1822	£15.50
IS4191	STRAP - FUEL GAUGE MOUNTING	BJ8	1	17H9437	£5.95



SI

Lighting

PART №	DESCRIPTION	APPLICATION	QTY	NOTES	PRICE
LG4010	SIDE/FLASHER LIGHT - FRONT	BN1-BN2	2	3H3055 (143-450)	£12.50
LG4011	TAIL/FLASHER LIGHT	BN1-BN2	2	3H1814 (143-700)	£13.95
LG4012	SIDE/FLASHER LIGHT - FRONT	100S	2	L489	£49.95
LG4019	SIDE/FLASHER LIGHT - FRONT (ORIG. LUCAS)	BN4-BJ8.26704	2	1B9100 (544-050)	£21.50
LG4020	SIDE/FLASHER LIGHT - FRONT	BN4-BJ8.26704	2	1B9100 (544-050)	£11.83
LG4021	TAIL/FLASHER LIGHT	BN4-BJ8.26704	2	1B9101 (143-950)	£11.95
LG4022	TAIL/FLASHER LIGHT - ORIG. LUCAS	BN4-BJ8.26704	2	1B9101 (143-950)	£21.50
LG4030	SIDE/FLASHER LIGHT - FRONT	BJ8.26705-(B)76137	2	BHA4465 (143-630)	£14.29
LG4031	SIDE LIGHT - FRONT	BJ8(B)76138 ON	2	BHA4476 (544-070)	£14.29
LG4032	TAIL/FLASHER LIGHT	BJ8.26705-(B)76137	2	(144-430)	£14.29
LG4033	TAIL/FLASHER LIGHT - ORIG. LUCAS	BJ8.26705-(B)76137	2	(144-430)	£18.50
LG4034	FLASHER LIGHT - FRONT & REAR	BJ8(B)76138 ON	4	BHA4477 (143-660)	£15.25
LG4035	FLASHER LIGHT - FRONT & REAR (ORIG. LUCAS)	BJ8(B)76138 ON	4	BHA4477 (143-660)	£18.50
LG4036	SIDE LIGHT - FRONT (ORIG. LUCAS)	BJ8(B)76138 ON	2	BHA4476 (544-070)	£18.50
LG4040	LENS - CLEAR	BN1-BN2	2	17H5204 (552-060)	£5.89
LG4041	LENS - RED	BN1-BN2	2	7H5153 (164-300)	£5.89
LG4050	LENS - CLEAR	BN4-BJ8.26704	2	37H5519 (560-270)	£4.90
LG4051	LENS - RED	BN4-BJ8.26704	2	37H5531 (164-900)	£6.35
LG4052	LENS - AMBER (NOT STANDARD)	BN4-BJ8.26704	2	37H5520 (560-275)	£6.43
LG4060	LENS - CLEAR	BJ8.26705 ON	2	17H6763 (560-280)	£4.95
LG4061	LENS - RED	BJ8.26705 ON	2	17H6766 (874-495)	£5.20
LG4062	LENS - AMBER	BJ8(B)76138 ON	4	27H3800 (164-850)	£4.85
LG4064	LENS - RED (ORIG. LUCAS)	BJ8.26705 ON	2	17H6766 (874-495)	£6.50
LG4065	LENS - CLEAR (ORIG. LUCAS)	BJ8.26705 ON	2	17H6763 (560-280)	£6.50
LG4070	GASKET - LAMP TO BODY	BJ8.26705 ON	8	27H2724 (282-790)	£1.08
LG4082	SCREW & NUT KIT - LENS RETAINING	BJ8.26705 ON	8		£1.38
LG4090	GASKET - LENS SEATING	BJ8.26705 ON	8	17H6765 (164-760)	£0.94
LG4100	SLEEVE - CONNECTING	BN1-BJ8	AR	27H6713 (157-107)	£0.25
LG4120	LIGHT BODY - RUBBER	BN1-BN2	4	7H5184 (280-520)	£2.42
LG4130	LIGHT BODY - RUBBER	BN4-BJ8.26704	4	37H5527 (159-600)	£2.45
LG4150	CHROME RIM - LIGHT BODY	BN1-BJ8.26704	4	7H5182 (158-400)	£1.56
LG4170	BULB HOLDER	BN1-BN2	4	17H5426	£6.95
LG4175	BULB HOLDER - SINGLE FILAMENT	BN4-BJ8	2	37H5528	£4.80
LG4180	BULB HOLDER	BN4-BJ8.26704	4	27H5545 (552-120)	£4.90
LG4190	SCREW - LIGHT TO BODY (SIDE, TAIL & FLASHER)	BN1-BJ8.26704	12	PMZ0207	£0.30
LG4210	HEADLAMP - RHD (BULB TYPE)	BN1-BJ8	2	27H8495	£56.75
LG4211	HEADLAMP - LHD (BULB TYPE)	BN1-BJ8	2	AEU1061 (144-790)	£44.05
LG4230	HEADLAMP - RHD (SEALED BEAM)	BJ8	2	BHM7196	£54.25
LG4231	HEADLAMP - LHD (SEALED BEAM)	BJ8	2	27H8207 (144-800)	£37.12
LG4278	LIGHT UNIT - RHD (PL BULB TYPE) ORIG. LUCAS	BN1-BJ8	2	LU554308	£69.50
LG4280	LIGHT UNIT - HALOGEN (RHD) PR (W/O PILOT) LUCAS	BN1-BJ8	1	LUCAS	£44.95
LG4281	LIGHT UNIT - HALOGEN (RHD) PR (WITH PILOT) LUCAS	BN1-BJ8	1	LUCAS	£44.95
LG4282	LIGHT UNIT - HALOGEN (LHD) PR (W/O PILOT) LUCAS	BN1-BJ8	1	LUCAS	£44.95
LG4283	LIGHT UNIT - HALOGEN (LHD) PR (WITH PILOT) LUCAS	BN1-BJ8	1	LUCAS	£44.95
LG4285	LIGHT UNIT - RHD (PL700 TRIPOD) - BULB TYPE	BN1-BJ8	2		£56.92
LG4286	LIGHT UNIT - LHD (PL700 TRIPOD) - BULB TYPE	BN1-BJ8	2		£61.87

Lighting

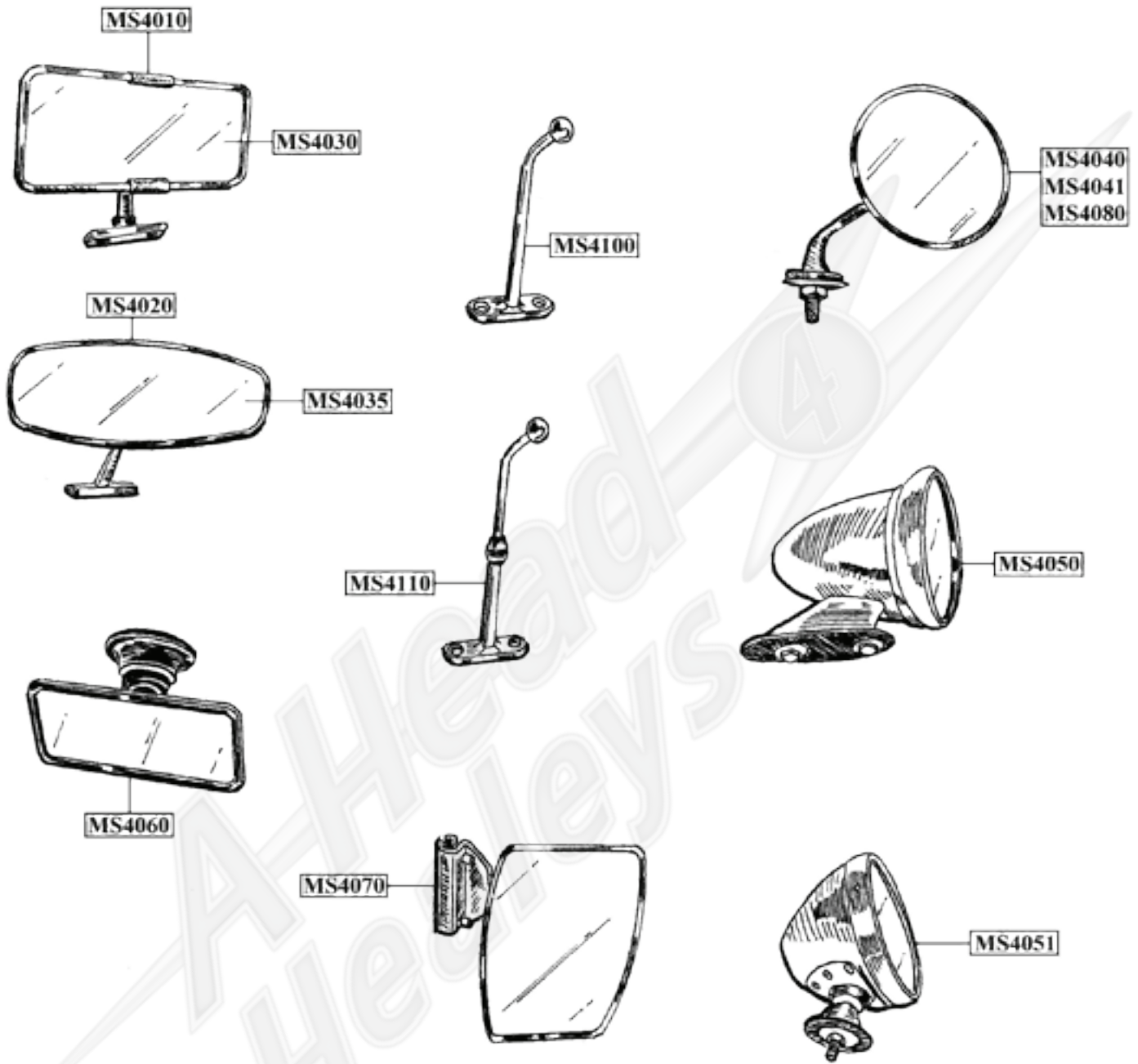
PART No	DESCRIPTION	APPLICATION	QTY	NOTES	PRICE
LG4287	LIGHT UNIT - RHD (BULB TYPE)	BN1-BJ8	2	7H5483	£21.28
LG4288	LIGHT UNIT - LHD (BULB TYPE)	BN1-BJ8	2	27H4146	£19.95
LG4289	HEADLAMP UNIT - LE MANS	BN1-BN2	2		£111.50
LG4290	LIGHT UNIT - RHD (SEALED BEAM)	BJ8	2	13H3471	£8.95
LG4291	LIGHT UNIT - LHD (SEALED BEAM)	BJ8	2	BMK2508 (171-100)	£9.00
LG4295	LIGHT UNIT COMPL. - 5.3/4IN HAL. MAIN BEAM (ORIG. LUCAS)	BN4-BJ8	2		£94.95
LG4320	ADJUSTING SCREW SET - BULB TYPE	BN1-BJ8	2	17H5394 (147-015)	£4.35
LG4321	ADJUSTING SCREW SET - SEALED BEAM	BN1-BJ8	2	BHM7058 (552-115)	£4.95
LG4330	BRASS NUT - H/L (BUCKET TO BODY)	BN1-BJ8	8	1B2805 (310-155)	£2.35
LG4335	SCREW - BRASS NUT (H/L) BUCKET TYPE	BN1-BJ8	8	RMZ310 (314-135)	£0.37
LG4340	CLIP - HEADLAMP RIM	BN1-BJ8.26704	2	37H7421A	£1.50
LG4360	HEADLAMP BOWL - BULB TYPE	BN1-BJ8	2	7H6838 (144-797)	£13.48
LG4361	HEADLAMP BOWL - BULB TYPE (ORIG. LUCAS) INCL. ADJ.	BN1-BJ8	2	(144-797)	£16.95
LG4370	HEADLAMP BOWL - METAL (SEALED BEAM)	BN1-BJ8	2	(144-807)	£8.25
LG4371	HEADLAMP BOWL - METAL (SEALED BEAM) ORIG. LUCAS	BN1-BJ8	2	(144-807)	£9.95
LG4372	HEADLAMP BOWL (METAL) & INNER RIM KIT - PAIR - LUCAS	BN1-BJ8	1	27H8264	£30.00
LG4390	GASKET - BOWL TO BODY (3 ADJ.)	BN1-BJ8	2	3H1031 (560-190)	£3.71
LG4391	GASKET - BOWL TO BODY (3 ADJ.) ORIG. LUCAS	BN1-BJ8	2	3H1031 (560-190)	£4.95
LG4400	GASKET - BOWL TO BODY (2 ADJ.)	BJ8	2	57H5456 (164-050)	£2.10
LG4450	HEADLAMP PIGTAIL - C/W ADAPTOR	BN1-BJ8	2	27H2333	£9.65
LG4451	HEADLAMP PIGTAIL - C/W ADAPTOR - ORIG. LUCAS	BN1-BJ8	2	27H2333	£13.95
LG4460	HEADLAMP PIGTAIL - C/W ADAPTOR (SEALED BEAM)	BJ8	2	BAU2110 (171-400)	£8.86
LG4490	INNER RIM ASSY. - 3 ADJ.	BN1-BJ8	2	17H5205 (157-300)	£13.25
LG4500	INNER RIM ASSY. - 2 ADJ.	BJ8	2	(560-215 156-700)	£12.95
LG4520	DUST EXCLUDER - RUBBER	BN4-BT7	2	3H2962 (280-120)	£2.62
LG4530	HEADLAMP RIM - CHROME	BN1-BN2	2	47H5554 (560-180)	£11.45
LG4531	HEADLAMP RIM - CHROME	BN4-BJ8	2	37H5530 (164-080)	£24.55
LG4532	HEADLAMP RIM - 5.3/4IN CHROME (ORIG. LUCAS)	BN4-BJ8	2	USE WITH LG4295	£34.50
LG4540	NUMBER PLATE LIGHT	BN1-BJ8	1	BHA4153 (144-200)	£18.95
LG4550	RUBBER PAD - NUMBER PLATE LAMP	BN1-BJ8	1	57H5368 (280-540)	£2.72
LG4570	INDICATOR LAMP - NON STD. (REAR SHROUD REFLECTOR)	BN4-BJ7	2		£64.50
LG4600	REFLECTOR	BN1-BN2	2	11G9021 (144-700)	£10.50
LG4610	REFLECTOR	BN4-BJ8(B)76137	2	BHA4149 (544-700)	£16.50
LG4621	REFLECTOR - ORIG. LUCAS	BJ8(B)76138 ON	2	BHA4148 (544-710)	£8.45
LG4630	REFLECTOR MTG. POD - RH	BN1-BN2	1	14B3867 (544-690)	£19.95
LG4631	REFLECTOR MTG. POD - LH	BN1-BN2	1	14B3868 (544-680)	£19.95
LG4640	RUBBER PAD - POD TO BODY (RH & LH)	BN1-BN2	2	14B3869 (021-772)	£4.70
LG4650	REFLECTOR MOUNTING BRACKET - RH	BJ8(B)76138 ON	1	AHB8984 (544-720)	£13.03
LG4660	REFLECTOR MOUNTING BRACKET - LH	BJ8(B)76138 ON	1	AHB8985 (544-730)	£10.45
LG4670	BULB - SIDE/STOP/TAILO/FLASHER	BN1-BJ8	AR	GLB380 (170-700)	£0.55
LG4671	BULB - SIDELIGHT	BJ8	AR	GLB207 (170-300)	£0.45
LG4672	BULB - FLASHER	BJ8(B)76138 ON	AR	GLB382 (170-800)	£0.41
LG4680	BULB - NUMBER PLATE LIGHT	BN1-BJ8	AR	GLB989 (170-250)	£0.46
LG4690	BULB - INSTRUMENT LIGHTING (SCREW FIT)	BN1-BJ8	AR	GLB280 (170-000)	£0.50

LG

Lighting

PART №	DESCRIPTION	APPLICATION	QTY	NOTES	PRICE
LG4700	BULB - WARNING LIGHT (BAYONET TYPE)	BN1-BJ8	AR	GLB281	£0.34
LG4705	BULB - INSTRUMENT LIGHTS (CAPLESS)	BN1-BJ8	AR	GLB2132	£0.65
LG4710	BULB - HEADLAMP (BAYONET FITTING) TYPE 414	BN1-BJ8	AR	GLB414 (170-460)	£3.91
LG4720	BULB - HEADLAMP (SPADE FITTING) TYPE 410	BN1-BJ8	AR	GLB410 (170-650)	£1.38
LG4725	BULB - HEADLAMP (QUARTZ HALOGEN) EUROPEAN H4	BN1-BJ8	2	TYPE 410	£3.85
LG4728	BULB - HEADLAMP (QUARTZ HALOGEN) BAYONET FITTING	BN1-BJ8	2	BRITISH PRE-FOCUS	£17.25
LG4730	BULB - HEADLAMP (QUARTZ HALOGEN) H4	BN1-BJ8	AR	GLB472	£3.85
LG4740	FOG LAMP - SFT576 (REPRO)	BN1-BJ8	1 OR 2	(162-800)	£69.00
LG4741	SPOT LAMP - SLR576 (REPRO)	BN1-BJ8	1 OR 2	(162-700)	£73.50
LG4742	SPOT LAMP - SLR700	BN1-BJ8	1 OR 2		£99.50
LG4743	FOG LAMP - SFT700	BN1-BJ8	1 OR 2		£99.50
LG4744	SPOT LAMP - REAR MOUNTING (SLR576)	BN1-BJ8	AR	57H5322	£78.98
LG4745	FOG LAMP - REAR MOUNTING (SFT576)	BN1-BJ8	1	BHA4399	£99.50
LG4746	FOG LIGHT - REAR (S.S.)	BN1-BJ8	1		£21.50
LG4747	REVERSING LIGHT - CHROME (NON ORIG.)	BN1-BJ8	1		£19.50
LG4748	LENS - FOG LAMP (SFT576)	BN1-BJ8	AR		£24.50
LG4749	LENS SPOT LAMP (L576)	BN1-BJ8	1	57H5015	£24.50
LG4750	BULB - FOG & SPOT LAMPS	BN1-BJ8	AR	GLB323	£4.70

Mirrors



MS

Mirrors

PART №	DESCRIPTION	APPLICATION	QTY	NOTES	PRICE
MS4010	MIRROR - REAR VIEW	BN1-BJ7	1	14B1867 (165-150)	£13.50
MS4011	MIRROR - REAR VIEW	100S	1		£243.50
MS4012	REAR VIEW MIRROR - PILLAR MOUNTED	BN1-BN2	2		£42.51
MS4014	REAR VIEW MIRROR - PILLAR MOUNTED	BN4-BT7	2		£37.80
MS4015	EXTENSION ARM - PILLAR MOUNT MIRROR	BN4-BT7	1		£23.85
MS4020	INTERIOR MIRROR	BJ8	1	AHB6920 (165-160)	£17.45
MS4030	GLASS - INTERIOR MIRROR	BN1-BJ7	1		£2.50
MS4035	GLASS - INTERIOR MIRROR	BJ8	1		£2.50
MS4040	WING MIRROR - RH (FLAT ROUND TYPE)	BN1-BJ8	1	(165-400)	£13.50
MS4041	WING MIRROR - LH (FLAT ROUND TYPE)	BN1-BJ8	1	(165-500)	£13.50
MS4045	RUBBER PAD - STALK TO BODY (MS4040/41 ONLY)	BN1-BJ8	2	(280-140)	£1.38
MS4050	WING MIRROR - SPEED/BULLET TYPE	BN1-BJ8	2	(222-350)	£13.81
MS4051	BULLET MIRROR - ALUMINIUM POLISHED	BN1-BJ8	2		£38.88
MS4060	INTERIOR MIRROR - SUCTION TYPE	BN1-BJ8	AR		£6.10
MS4070	QUARTER LIGHT MIRROR - CLAMP ON	BJ7-BJ8	2		£19.75
MS4080	WING MIRROR - SPRING BACK	BN1-BJ8	2	(165-270)	£23.95
MS4100	MIRROR STEM - LENGTHENED	BN1-BJ8	1		£29.50
MS4110	MIRROR STEM - ADJUSTABLE	BN1-BJ8	1		£63.87

Miscellaneous

PART №	DESCRIPTION	APPLICATION	QTY	NOTES	PRICE
MC4010	ASH TRAY - CHROME	BN1-BJ8	1	14B2016 (031-322)	£36.85
MC4020	NO. PLATE BRACKET - FRONT	BN1-BN2	1		£13.50
MC4021	NO. PLATE BRACKET - FRONT	BN4-BJ8	1	1B8937 (806-390)	£13.50
MC4025	NO. PLATE BRACKET - FRONT (NON-STD)	BN1-BJ8	1		£17.45
MC4026	NO. PLATE BRACKET - REAR (NON-STD)	BN1-BJ8	1		£17.45
MC4030	NO. PLATE BRACKET - REAR	BN1-BJ8	1	1B8940 (451-720)	£15.95
MC4040	MTG. BRACKET ONLY - REAR BRACKET	BN1-BJ8	1	14B2742 (806-360)	£8.30
MC4041	FINISHER PLATES - PR	BN4-BN4.68959	1	(806-370/380)	£52.95
MC4050	HARD TOP & DUST EXCLUDER FINISHER - PR	BN4-BT7	1	24B1677 (021-784/5)	£11.35
MC4054	WOOD BLOCK SET-ALUM TRIM PLATES	BN4 (68960) - BT7	1		£6.15
MC4060	HOOD SOCKET TRIM PLATE - PR	BN6-BT7	1	24B1679 (021-786)	£12.95
MC4068	SEAT BELT - FRONT - (ORIGINAL TYPE) - GREY	BN1 - BJ8	2	2 BOLT FITTING ON ARCH	£99.95
MC4069	SEAT BELT KIT FRONT - PER SEAT (CLASSIC TYPE)	BN1-BJ8	2	2 POINT FIXING	£45.50
MC4070	SEAT BELT KIT FRONT - PER SEAT (CLASSIC TYPE)	BN1-BJ8	2	3 POINT FIXING	£79.00
MC4071	SEAT BELT KIT FRONT - PER SEAT (STATIC TYPE)	BN1-BJ8	2		£27.50
MC4072	SEAT BELT KIT FRONT - PER SEAT (AUTOMATIC TYPE)	BN1-BJ8	2		£39.55
MC4073	SEAT BELT KIT REAR - PER SEAT (STATIC TYPE)	BN4&BT7-BJ8	2		£23.00
MC4074	SEAT BELT KIT FRONT - STATIC LAP	BN1-BJ8	2		£15.15
MC4075	COMPETITION SEAT BELT - BLACK (FIA APPROVED)	BN1-BJ8	2		£114.50
MC4076	COMPETITION SEAT BELT - BLUE (FIA APPROVED)	BN1-BJ8	2		£114.50
MC4077	COMPETITION SEAT BELT - RED (FIA APPROVED)	BN1-BJ8	2		£114.50
MC4078	HARNESS SEAT BELT - 4 POINT FIXING (BLACK)	BN1-BJ8	2		£49.62
MC4079	SEAT BELT KIT REAR - PER SEAT (CLASSIC TYPE)	BN4, BT7, BJ7 & BJ8	2		£61.50
MC4080	SELECTION OF GROMMETS	BN1-BJ8	1	(681-028)	£10.00
MC4090	BULKHEAD GROMMET SET	BN1-BJ8	1	(681-018)	£12.50
MC4095	SEALING KIT - GEARBOX TUNNEL	BN1-BJ8	1		£23.95
MC4100	TOOL ROLL	BN1-BN2	1	(221-220)	£57.50
MC4110	TOOL BAG	BN4-BT7	1	(221-240)	£14.80
MC4111	TOOL BAG	BJ7-BJ8	1	AHB8983 (221-250)	£19.30
MC4120	JACK BAG - ORIGINAL STYLE	BN4-BJ8	1	(221-230)	£28.21
MC4130	JACK BAG	BN1-BN2	1	(221-210)	£22.27
MC4140	JACK HANDLE BAG - SHORT	BN1-BN2	1	(221-225)	£19.75
MC4150	JACK HANDLE BAG - LONG	BN2- BN2.LATE	1	(221-235)	£19.30
MC4160	SHOCK ABSORBER FLUID - PENRITE (1/2 LITRE)	BN1-BJ8	AR		£6.25
MC4170	AEROSOL PAINT - OLD ENGLISH WHITE	BN1-BJ8	AR		£12.45
MC4171	AEROSOL PAINT - ICE BLUE METALLIC	BN1-BJ8	AR		£12.45
MC4172	AEROSOL PAINT - FLORIDA GREEN	BN1-BJ8	AR		£12.45
MC4173	AEROSOL PAINT - BRITISH RACING GREEN (DARK)	BN1-BJ8	AR	GN29	£12.45
MC4174	AEROSOL PAINT - COLORADO RED	BN1-BJ8	AR		£12.45
MC4175	AEROSOL PAINT - TARTAN RED	BN1-BJ8	AR		£12.45
MC4176	AEROSOL PAINT - CARMINE RED	BN1-BJ8	AR		£12.45
MC4178	WRINKLE PAINT BLACK AEROSOL	BN1-BJ8	AR	MRD1048A	£8.70
MC4180	HYLOMAR BLUE GASKET - 100G TUBE	BN1-BJ8	AR		£6.35
MC4184	SOLVOL AUTOSOL - CHROMER POLISH (PASTE)	BN1-BJ8	AR		£7.10
MC4188	JACK - SCREW TYPE (WITH HANDLE)	BN4-BJ8	1	AHH5124K	£99.95

MC

Miscellaneous

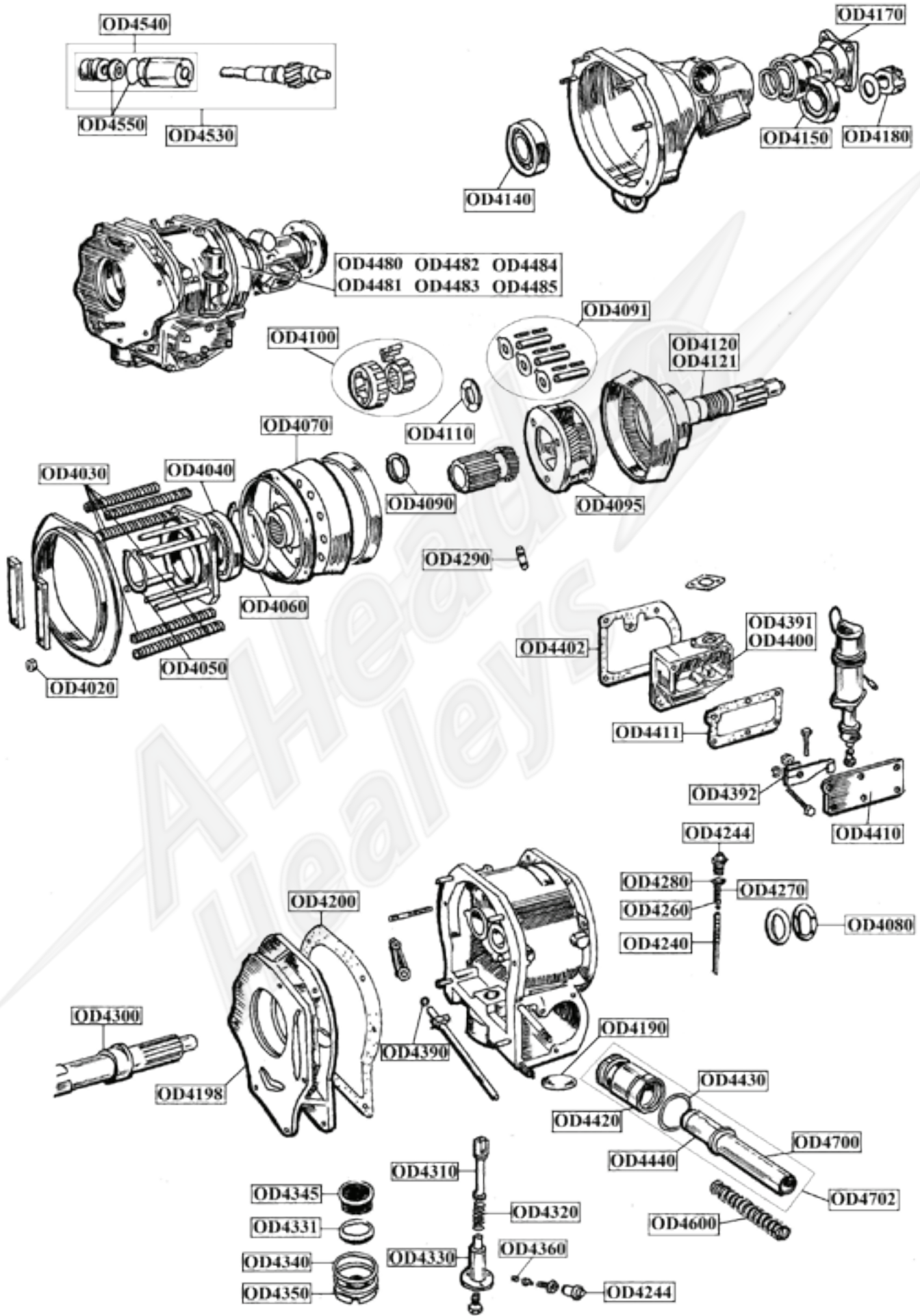
PART №	DESCRIPTION	APPLICATION	QTY	NOTES	PRICE
MC4190	STRAP - JACK RETAINING	BN1-BJ8	1	AHA5217 (221-205)	£9.85
MC4220	BMC ROSETTE - SELF ADHESIVE	BN1-BJ8	AR		£4.15
MC4221	BMC ROSETTE - WINSCREEN	BN1-BJ8	AR		£3.25
MC4226	PENRITE CLASSIC OIL - 20/60W (1 LITRE)	BN1-BJ8	AR		£7.40
MC4229	PENRITE CLASSIC OIL - 20/50W (20 LITRES)	BN1-BJ8	AR		£78.50
MC4230	PENRITE CLASSIC OIL - 20/50W (5 LITRES)	BN1-BJ8	AR		£27.27
MC4231	PENRITE CLASSIC OIL - 20/60W (5 LITRES)	BN1-BJ8	AR		£29.95
MC4232	PENRITE GEARBOX OIL - 40 (1 LITRE)	BN1-BJ8	AR		£8.05
MC4233	PENRITE GEARBOX OIL - 30 (1 LITRE)	BN1-BJ8	AR		£7.41
MC4234	PENRITE GEARBOX OIL - 30 (5 LITRE)	BN1-BJ8	AR		£31.60
MC4238	CASTROL POURING CANS - SET OF 3	BN1-BJ8	1		£21.75
MC4240	OIL DRIP TRAY - GALVANIZED STEEL	BN1-BJ8	1		£24.50
MC4260	ENGINE OIL - CASTROL CLASSIC XL 20W/50 (GAL-LON)	BN1-BJ8	AR		£24.50
MC4270	CASTROL VALVEMASTER PLUS - 250ML	BN1-BJ8	1	OCTANE BOOST	£10.35
MC4271	CASTROL VALVEMASTER - 250ML	BN1-BJ8	1		£7.50
MC4280	OCTANE BOOSTER - WITH FUEL ADDITIVE (MILLERS)	BN1-BJ8	AR		£4.25
MC4290	WATER WETTER - RED LINECOOLANT ADDITIVE	BN1-BJ8	AR		£10.95
MC4300	SCREEN DEMISTER - CHROME (ORIG. LUCAS)	BN1-BJ8	1 OR 2		£139.95
MC4305	RUNNING IN OIL - PENRITE (SAE 20W 50)	BN1-BJ8	AR		£21.95
MC4320	BRACKET - SEAT BELT (QUICK RELEASE)	BN1-BJ8	1 OR 2	AHH6140	£21.60
MC4321	CHROME PLATE - SEAT BELT MOUNTING	BJ7-BJ8	2		£14.85
MC4325	EYE BOLT - SEAT BELT FITTING	BN1-BJ8	6		£5.34
MC4326	THREADED PLATE - SEAT BELT EYE BOLT	BN1-BJ8	AR		£4.50
MC4340	UNF FASTENER KIT - 160 ITEMS	BN1-BJ8	AR		£7.50
MC4341	BSF FASTENER KIT - 250 ITEMS	BN1	1		£23.70
MC4370	DECAL SET	BN4-BT7	1		£17.75
MC4371	DECAL SET	BJ7-BJ8	1		£17.50
MC4374	LABEL - WARNING (NEGATIVE EARTH)	BN1-BJ8	1		£0.90
MC4375	ROLL OVER BAR KIT - FRONT (FLAT SCREEN)	BN4-BT7.MK2	1	CENG562	£269.50
MC4376	ROLL OVER BAR - REAR	ALL 4 SEATERS	1	CMSC200	£295.00
MC4377	ROLL OVER BAR - REAR (2 SEATER)	BN6-BN7	1	CMSC201	£313.50
MC4378	ROLL OVER BAR KIT - FRONT	BJ7-BJ8	1	CMSC200F	£285.53
MC4400	TILT LIFT ENGINE SLING	BN1-BJ8	1		£58.90
MC4450	BRAKE BLEED KIT - GUNSON EEZIBLEED	BN1-BJ8	AR		£21.50
MC4451	TAPPET ADJUSTER - GUNSON	BN1-BJ8	AR		£29.20
MC4452	COLOUR TUNE - GUNSON	BN1-BJ8	AR		£22.50
MC4453	VALVE LAPPER - GUNSON	BN1-BJ8	AR		£23.26
MC4454	MULTIMETER - GUNSON	BN1-BJ8	AR		£36.13
MC4455	SOCKET SET - 7 PIECE WHITWORTH (3/8IN DRIVE)	BN1-BJ8	AR		£11.63
MC4456	SOCKET SET - 9 PIECE WHITWORTH (1/2IN DRIVE)	BN1-BJ8	AR		£13.61
MC4457	SOCKET SET TOOL KIT - 32 PIECE	BN1-BJ8	AR		£17.57
MC4460	AXLE STANDS - KAMASA (PR)	BN1-BJ8	AR		£19.30
MC4470	PULLER SET - KAMASA (2 OR 3 JAW)	BN1-BJ8	AR		£12.37
MC4480	MAGNETIC PICK UP TOOL - KAMASA	BN1-BJ8	AR		£5.44
MC4490	NUT SPLITTER - 1/2IN-5/8IN (12-16MM)	BN1-BJ8	AR		£5.04

Miscellaneous

PART №	DESCRIPTION	APPLICATION	QTY	NOTES	PRICE
MC4491	NUT SPLITTER - 5/8IN-7/8IN (16-22MM)	BN1-BJ8	AR		£7.42
MC4496	CRIMPING TOOL - SOLDERLESS NIPPLE	BN1-BJ8	1		£39.94
MC4558	TRANSMISSION FILTERMAG PLATE	BN1-BJ8	AR		£15.59
MC4559	WHEEL ALIGNMENT GAUGE - GUNSON'S TRACKRITE	BN1-BJ8	AR		£50.98
MC4561	HT LEAD TESTER - GUNSON'S FLASHTEST	BN1-BJ8	AR		£5.44
MC4562	BRAKE FLUID TESTER - GUNSON	BN1-BJ8	AR		£31.18
MC4563	CARB. BALANCER - GUNSON	BN1-BJ8	AR		£13.36
MC4564	COMPRESSION TESTER - GUNSON	BN1-BJ8	AR		£19.30
MC4565	STROBE GUN - GUNSON'S SUPASTROBE	BN1-BJ8	AR		£106.92
MC4566	SOCKET SET - 13 PIECE (1/4IN DRIVE)	BN1-BJ8	AR		£15.34
MC4567	SOCKET SET - 18 PIECE (3/8IN DRIVE)	BN1-BJ8	AR		£21.28
MC4568	SOCKET SET - 18 PIECE (3/2 DRIVE)	BN1-BJ8	AR		£27.22
MC4570	ALLEN KEYS - 8 PIECE SET	BN1-BJ8	1	DRAPER (IMPERIAL)	£4.95
MC4575	SOCKET SET - 3/8IN WHITWORTH	BN1-BJ8	AR	7 PIECE SET	£42.25
MC4590	T PULL CABLE 6IN	BN1-BJ8	AR		£9.75
MC4591	T PULL CABLE 12IN	BN1-BJ8	AR		£14.35
MC4600	COMPRESSOR - COIL SPRING	BN1-BJ8	1		£31.50
MC5000	WORKSHOP APRON - BLUE AUSTIN HEALEY LOGO	BN1-BJ8	AR	GAC9935	£13.50

MC

Overdrive



Overdrive

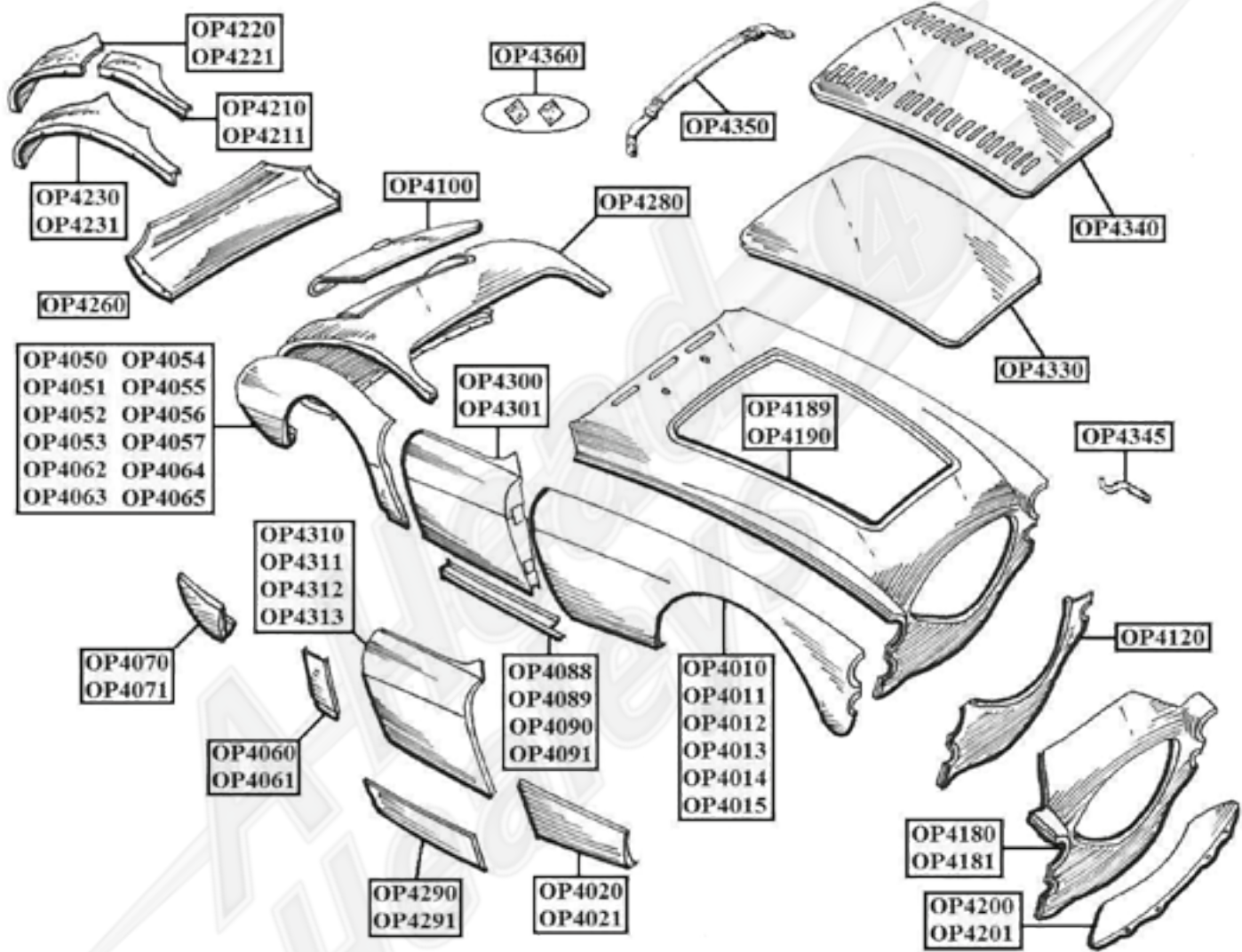
PART №	DESCRIPTION	APPLICATION	QTY	NOTES	PRICE
OD4020	LOCK NUT - BRIDGE BAR	BN1-BJ8	4	FNN104 (310-765)	£2.23
OD4030	CLUTCH RETURN SPRING SET	BN1-BJ8	1	17H5804 (866-445)	£23.86
OD4040	BEARING - CLUTCH THRUST	BN1-BJ8	1	7H5866 (866-470)	£26.45
OD4050	CIRCLIP - EXTERNAL (SMALL)	BN1-BJ8	1	7H5867 (326-700)	£2.57
OD4060	CIRCLIP - EXTERNAL (LARGE)	BN1-BJ8	1	7H5868 (326-710)	£4.58
OD4070	CLUTCH SLIDING MEMBER - EXCHANGE ONLY	BN1-BJ8	1	7H5870 (866-490)	£90.77
OD4080	THRUST WASHER - SUN WHEEL (FRONT)	BN1-BJ8	1	7H5873 (866-780)	£6.72
OD4081	ADJUSTING WASHER - SUN WHEEL (FRONT) .113	BN1-BJ8	AR	7H5872A	£7.40
OD4082	ADJUSTING WASHER - SUN WHEEL (FRONT) .107	BN1-BJ8	AR	7H5872B	£7.40
OD4083	ADJUSTING WASHER - SUN WHEEL (FRONT) .101	BN1-BJ8	AR	7H5872C	£7.40
OD4084	ADJUSTING WASHER - SUN WHEEL (FRONT) .095	BN1-BJ8	AR	7H5872D	£7.40
OD4085	ADJUSTING WASHER - SUN WHEEL (FRONT) .089	BN1-BJ8	AR	7H5872E	£7.40
OD4086	ADJUSTING WASHER - SUN WHEEL (FRONT) .083	BN1-BJ8	AR	7H5872F	£7.40
OD4087	ADJUSTING WASHER - SUN WHEEL (FRONT) .079	BN1-BJ8	AR	7H5872G	£7.40
OD4090	THRUST WASHER - SUN WHEEL (REAR)	BN1-BJ8	1	17H5869 (866-560)	£7.93
OD4091	REPAIR KIT - PLANET CARRIER	BN1-BJ8	1		£62.35
OD4095	PLANET CARRIER & SUNWHEEL ASSY. (RECON.) EXCH.	BN4-BJ8	1		£249.74
OD4100	UNI-DIRECTIONAL CLUTCH - COMPLETE	BN1-BJ8	1	7H5823 (466-055)	£64.04
OD4110	THRUST WASHER - UNI-DIRECTIONAL CLUTCH	BN1-BJ8	1	7H5883 (866-620)	£7.57
OD4120	ANNULUS - 28% (RECOND.) EXCHANGE	BN2-BJ8	1		£188.48
OD4121	ANNULUS - 22% (RECOND.) EXCHANGE	BT7-BJ8	1	(031-382)	£188.48
OD4125	CLUTCH BRAKE RING	BN1-BJ8	1	17H5824	£93.95
OD4130	CENTRE BUSH - O/D MAIN BODY (PR)	BN1-BJ8	1		£32.50
OD4140	BEARING - ANNULUS (FRONT)	BN1-BJ8	1	2K5507 (866-630)	£12.50
OD4150	BEARING - ANNULUS (REAR)	BN1-BJ8	1	7H5884 (525-150)	£11.50
OD4170	FLANGE - COUPLING	BN2-BJ8	1	17H5821 (031-372)	£78.96
OD4180	NUT - COUPLING FLANGE	BN1-BJ8	1	7H5889 (311-070)	£5.55
OD4190	CORE PLUG	BN1-BJ8	1	7H5897	£4.83
OD4196	ADAPTER PLATE - O/D TO G/BOX (USED)	BN4-BT7 (S/CHANGE)	1	17H5860	£136.50
OD4198	ADAPTER PLATE - O/D TO G/BOX (USED)	BT7 MK2-BJ8	1	CENTRE CHANGE	£140.23
OD4200	GASKET - ADAPTER PLATE	BN1-BJ8	1	7H5825 (697-260)	£1.65
OD4202	STUD - ADAPTER PLATE TO FRONT CASING	BN1-BJ8	2	7H5829	£1.45
OD4203	STUD - MAIN CASE STUD				£1.45
OD4210	PISTON - OPERATING	BN1-BJ8	2	17H5873 (866-400)	£11.71
OD4220	RING SET - OPERATING PISTON (TO 22/3009/607)	BN1-BT7	2	7H5860 (866-410)	£18.70
OD4230	O RING - OPERATING PISTON (22/3009/608 ON)	BT7-BJ8	2	17H5874 (866-420)	£0.44
OD4240	OPERATING VALVE	BN1-BJ8	1	17H5827 (866-060)	£15.13
OD4244	PLUG - OPERATING VALVE	BN1-BJ8	2	7H5820	£9.98
OD4260	PLUNGER - BALL VALVE	BN1-BJ8	2	7H5837 (866-070)	£2.92
OD4270	SPRING PLUNGER	BN1-BJ8	2	7H5836 (866-080)	£1.76
OD4280	WASHER PLUG	BN1-BJ8	1	7H5898 (435-567)	£0.59
OD4290	BREATHER	BN1-BJ8	1	17H5825	£5.05
OD4300	OPERATING CAM - OIL PUMP	BN1-BJ8	1	1B3650 (866-100)	£32.15
OD4310	PLUNGER - ROLLER ASSY (OIL PUMP)	BN1-BJ8	1	17H5977 (866-120)	£44.05

OD

Overdrive

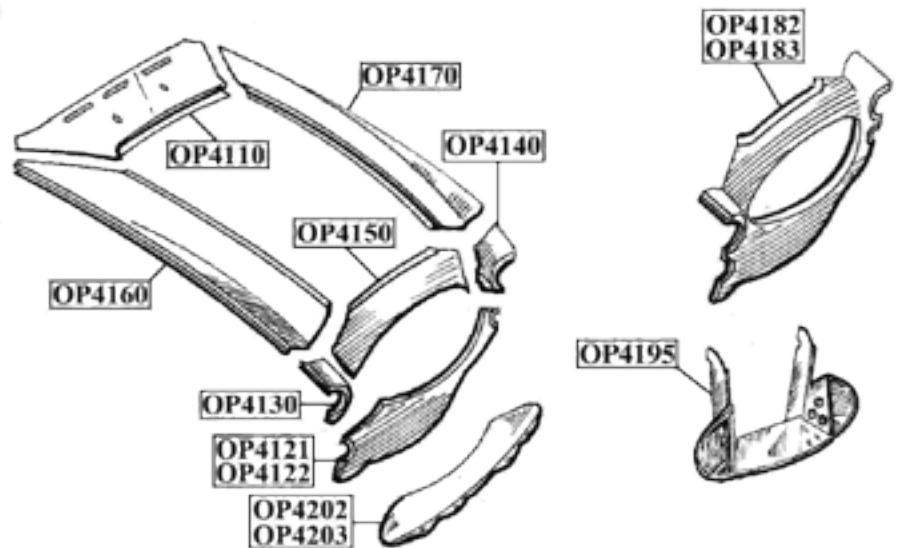
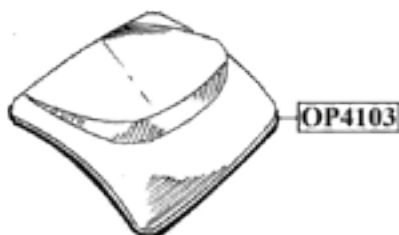
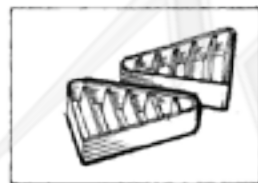
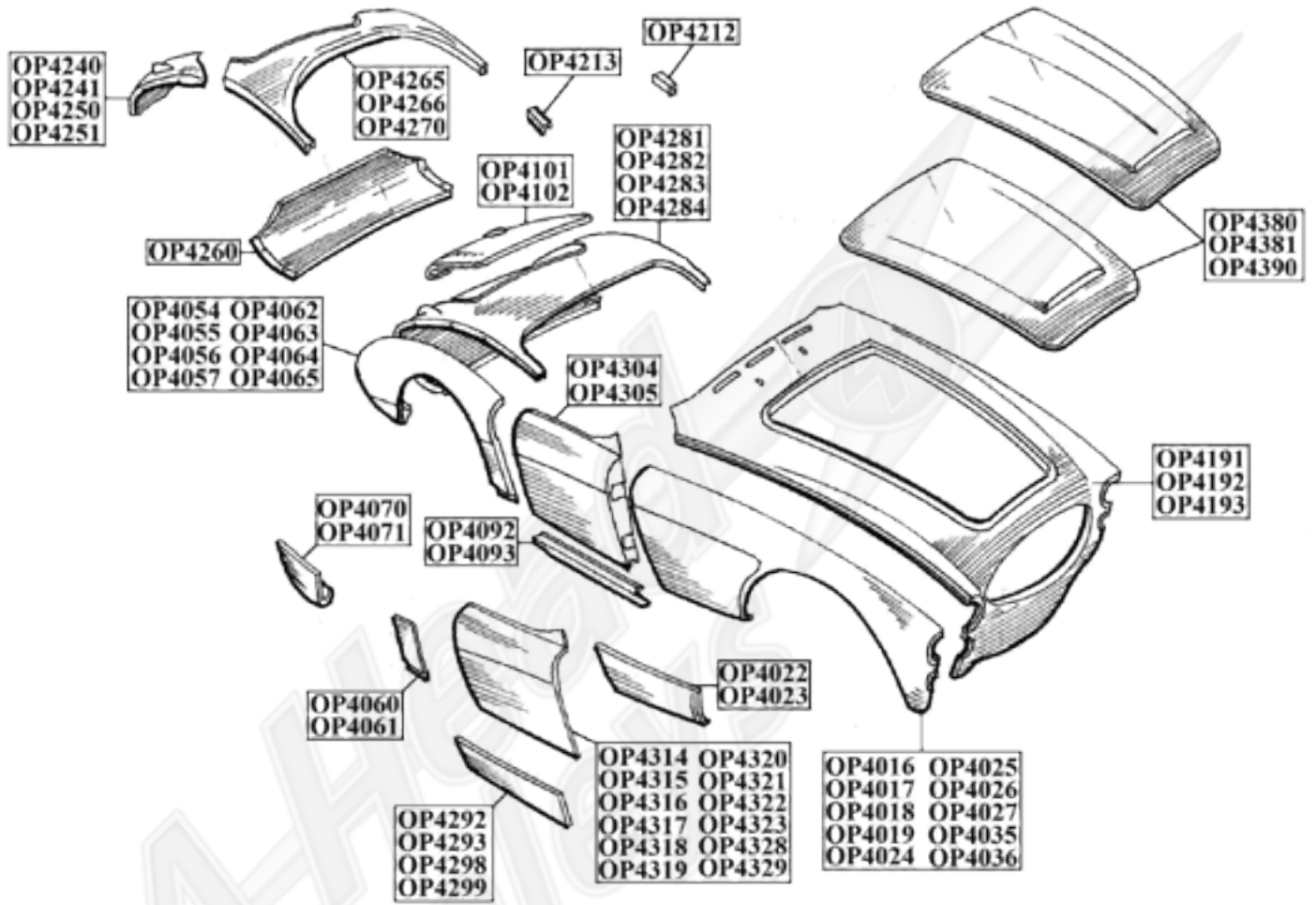
PART №	DESCRIPTION	APPLICATION	QTY	NOTES	PRICE
OD4320	SPRING - OIL PUMP	BN1-BJ8	1	7H5839 (866-130)	£2.55
OD4330	BODY - OIL PUMP	BN1-BJ8	1	7H5840 (866-140)	£54.57
OD4331	MAGNETIC WASHER - DRAIN PLUG	BT7-BJ8	1	17H5877 (866-220)	£2.57
OD4340	WASHER - DRAIN PLUG	BT7-BJ8	1	7H5857 (866-270)	£1.16
OD4345	BRASS FILTER - OIL PUMP	BN4-BJ8	1	17H5878 (866-210)	£17.00
OD4350	DRAIN PLUG (22/3009/8745 ON)	BT7-BJ8	1	17H7879 (866-250)	£22.95
OD4355	C SPANNER - O/D DRAIN PLUG	BN1-BJ8	1		£14.69
OD4360	BALL - NON RETURN VALVE	BN1-BJ8	1	BLS108 (329-510)	£0.44
OD4388	BRACKET & SIDE PLATE - SOLENOID (USED)	BN1 (28/1292/3772)	1	7H5850	£35.00
OD4390	O RING - OPERATING SHAFT	BN1-BJ8	2	17H5815 (866-030)	£0.49
OD4391	BRACKET & SIDE PLATE - SOLENOID (28%)	BN1 (28/1292/3772 ON)-BN6	1	7H5850	£59.50
OD4392	LEVER - SOLENOID	BN4-BJ8	1	17H5808 (866-050)	£13.13
OD4400	BRACKET & SIDE PLATE - SOLENOID	BT7-BJ8	1	27H2315 (17H5866)	£59.50
OD4402	GASKET - SOLENOID BRACKET	BN1-BJ8	1	7H5852 (866-350)	£1.52
OD4410	COVER - SOLENOID BRACKET	BT7-BJ8	1	17H5857	£10.84
OD4411	GASKET - SOLENOID BRACKET COVER	BN4-BJ8	1	17H5858 (866-700)	£1.52
OD4412	DISTANCE COLLAR - SOLENOID LEVER	BN4-BJ8	1	17H5809	£1.76
OD4420	ACCUMULATOR HOUSING	BN1-BJ8	1	17H5848 (866-320)	£35.86
OD4430	O RING - ACCUMULATOR HOUSING	BN1-BJ8	1	7H5846 (866-690)	£1.48
OD4440	PISTON - ACCUMULATOR	BN1-BJ8	1	17H5847 (866-330)	£18.31
OD4470	CENTRIFUGAL SWITCH - OVERDRIVE (USED)	BN1	1	3 SPEED ONLY (031-367)	£68.95
OD4480	OVERDRIVE UNIT - RECONDITIONED (EXCHANGE)	BN1	1	1B3638 (3 SPEED ONLY)	£519.75
OD4481	OVERDRIVE UNIT - RECONDITIONED (OUTRIGHT)	BN1	1	1B3638	£692.01
OD4482	OVERDRIVE UNIT - RECONDITIONED (28%) EX-CHANGE	BN2-BN6	1	1B3754	£519.75
OD4483	OVERDRIVE UNIT - RECONDITIONED (28%) OUT-RIGHT	BN2-BN6	1	1B3754	£1,379.50
OD4484	OVERDRIVE UNIT - RECONDITIONED (22%) EX-CHANGE	BT7-BJ8	1	22B190	£519.75
OD4485	OVERDRIVE UNIT - RECONDITIONED (22%) OUT-RIGHT	BT7-BJ8	1	22B190	£1,379.50
OD4500	RING SET - ACCUMULATOR PISTON	BN1-BJ8	1	7H5849 (866-360)	£41.95
OD4510	1.1/2IN ACCUMULATOR ASSY	BN1-BJ8	1		£127.48
OD4530	PINION GEAR & BEARING ASSY - 22%	BT7-BJ8	1	17H5855	£86.62
OD4540	BEARING ASSY - 28% & 22%	BN2-BJ8	1	17H5819	£52.00
OD4544	DOWL SCREW - SPEEDO PINION	BN1-BJ8	1	7H5894	£2.45
OD4550	OIL SEAL & O RING - 28% & 22%	BN2-BJ8	1	(120-710)	£6.20
OD4560	OVERDRIVE KIT - UPRATED (FAST ROAD)	BN1-BJ8	1		£275.00
OD4561	OVERDRIVE KIT - UPRATED (FULL RACE)	BN1-BJ8	1		£257.25
OD4600	PRESSURE SPRING - ACCUMULATOR	BN1-BJ8	1	17H5833 (866-680)	£16.54
OD4700	TUBE - PRESSURE SPRING	BN1-BJ8	1	7H5845 (021-348)	£7.72
OD4702	ACCUM. PISTON & SPRING ASSEMBLY - 1.3/4IN	BN4-BJ8	1		£104.84
OD4705	TAIL HOUSING	BN2-BJ8	1	OVD220	£308.52

Outer Body Panels



OP

Outer Body Panels



Outer Body Panels

PART No	DESCRIPTION	APPLICATION	QTY	NOTES	PRICE
OP4002	WING REPAIR - LOWER HALF (RH) FRONT WING	BN1	1		£125.48
OP4003	WING REPAIR - LOWER HALF (LH) FRONT WING	BN1	1		£125.48
OP4004	WING REPAIR - REAR LOWER (RH) FRONT WING	BN1	1		£70.88
OP4005	WING REPAIR - REAR LOWER (LH) FRONT WING	BN1	1		£70.88
OP4008	WING REPAIR - LOWER HALF (RH) FRONT WING	BN4-BJ8	1		£141.23
OP4009	WING REPAIR - LOWER HALF (LH) FRONT WING	BN4-BJ8	1		£141.23
OP4010	FRONT WING - ALUMINIUM - RH	BN1	1	4B1032 (858-105)	£620.00
OP4011	FRONT WING - ALUMINIUM - LH	BN1	1	4B1033 (858-115)	£620.00
OP4012	FRONT WING - STEEL - RH	BN2	1	4B2027 (858-110)	£615.25
OP4013	FRONT WING - STEEL - LH	BN2	1	4B2028 (858-100)	£615.25
OP4014	FRONT WING - ALUMINIUM - RH	BN2	1	(858-125)	£620.00
OP4015	FRONT WING - ALUMINIUM - LH	BN2	1	(858-135)	£620.00
OP4016	FRONT WING - STEEL - RH	BN4-BJ8	1	AHB9442 (858-010)	£603.75
OP4017	FRONT WING - STEEL - LH	BN4-BJ8	1	AHB9443 (858-000)	£603.75
OP4018	FRONT WING - ALUMINIUM - RH	BN4-BJ8	1	AHB9442 (858-055)	£480.14
OP4019	FRONT WING - ALUMINIUM - LH	BN4-BJ8	1	AHB9443 (858-065)	£480.14
OP4020	WING REPAIR - REAR LOWER (RH) FRONT WING	BN2	1	(857-540)	£67.00
OP4021	WING REPAIR - REAR LOWER (LH) FRONT WING	BN2	1	(857-550)	£67.00
OP4022	WING REPAIR - REAR LOWER (RH) FRONT WING	BN4-BJ8	1	(857-560)	£66.00
OP4023	WING REPAIR - REAR LOWER (LH) FRONT WING	BN4-BJ8	1	(857-570)	£66.00
OP4024	FRONT WING - ALUMINIUM (RH) FLARED ARCHES	BN4-BJ8	1	(806-820)	£615.00
OP4025	FRONT WING - ALUMINIUM (LH) FLARED ARCHES	BN4-BJ8	1	(806-830)	£615.00
OP4026	FRONT WING - ALUMINIUM (RH) VENTS & FLARES	BN4-BJ8	1	(806-840)	£660.00
OP4027	FRONT WING - ALUMINIUM (LH) VENTS & FLARES	BN4-BJ8	1	(806-850)	£660.00
OP4028	VENTS - FRONT WING (ALUM.) FLANGED (PR)	BN1-BJ8	1		£155.00
OP4029	VENTS - FRONT WING (ALUM.) NO FLANGE (PR)	BN1-BJ8	1		£103.00
OP4030	VENTS - FRONT WING (STEEL) NO FLANGE (PR)	BN1-BJ8	1		£111.70
OP4031	VENTS - FRONT WING (STEEL) FLANGED (PR)	BN1-BJ8	1		£154.88
OP4035	FRONT WING - ALUMINIUM (RH) WITH VENTS	BN4-BJ8	1	(806-865)	£630.00
OP4036	FRONT WING - ALUMINIUM (LH) WITH VENTS	BN4-BJ8	1	(806-875)	£630.00
OP4040	CLINCH HANGERS (PR)	BN4-BT7	1	ALUMINIUM	£21.00
OP4041	CLINCH HANGERS (PR)	BJ7-BJ8	1	ALUMINIUM	£21.00
OP4048	REAR WING - ALUMINIUM (RH)	100S	1		£600.00
OP4049	REAR WING - ALUMINIUM (LH)	100S	1		£600.00
OP4050	REAR WING - STEEL - RH	BN1	1	4B1036 (858-045)	£410.60
OP4051	REAR WING - STEEL - LH	BN1	1	4B1037 (858-035)	£410.60
OP4052	REAR WING - ALUMINIUM (RH)	BN1	1	4B1036 (858-405)	£472.50
OP4053	REAR WING - ALUMINIUM (LH)	BN1	1	4B1037 (858-415)	£472.50
OP4054	REAR WING - STEEL (RH)	BN2-BJ8	1	4B1091 (858-025)	£410.60
OP4055	REAR WING - STEEL (LH)	BN2-BJ8	1	4B1092 (858-015)	£523.90
OP4056	REAR WING - ALUMINIUM (RH)	BN2-BJ8	1	4B1091 (806-760)	£447.00
OP4057	REAR WING - ALUMINIUM (LH)	BN2-BJ8	1	4B1092 (806-770)	£447.00
OP4060	WING REPAIR - FRONT LOWER (REAR WING) RH	BN1-BJ8	1	(857-510)	£38.50
OP4061	WING REPAIR - FRONT LOWER (REAR WING) LH	BN1-BJ8	1	(857-500)	£38.50
OP4062	REAR WING - ALUMINIUM (RH) SMALL FLARES	BN2-BJ8	1	(806-860)	£495.00
OP4063	REAR WING - ALUMINIUM (LH) SMALL FLARES	BN2-BJ8	1	(806-870)	£495.00
OP4064	REAR WING - ALUMINIUM (RH) LARGE FLARES	BN2-BJ8	1	(806-880)	£572.25

OP

Outer Body Panels

PART No	DESCRIPTION	APPLICATION	QTY	NOTES	PRICE
OP4065	REAR WING - ALUMINIUM (LH) LARGE FLARES	BN2-BJ8	1	(806-890)	£572.25
OP4070	WING REPAIR - REAR LOWER (REAR WING) RH	BN1-BJ8	1	(857-515)	£61.50
OP4071	WING REPAIR - REAR LOWER (REAR WING) LH	BN1-BJ8	1	(857-525)	£61.50
OP4088	OUTER SILL - RH	100S	1	ALUMINIUM	£79.50
OP4089	OUTER SILL - LH	100S	1	ALUMINIUM	£79.50
OP4090	OUTER SILL - RH	BN1-BN2	1	14B1681 (855-960)	£20.48
OP4091	OUTER SILL - LH	BN1-BN2	1	14B1682 (855-950)	£20.48
OP4092	OUTER SILL - RH	BN4-BJ8	1	14B5749 (021-881)	£23.63
OP4093	OUTER SILL - LH	BN4-BJ8	1	14B5750 (021-880)	£23.63
OP4100	BOOT LID - ALUMINIUM	BN1-BN2	1	4B1039 (858-120)	£410.00
OP4101	BOOT LID - STEEL	BN4-BJ8	1	4B1090 (858-020)	£358.63
OP4102	BOOT LID - ALUMINIUM	BN4-BJ8	1	(858-005)	£415.00
OP4103	BOOT LID - ALUMINIUM (WORKS TYPE)	BN4-BJ8	1	(806-895)	£645.00
OP4105	BOOT LID REPAIR - LOWER HALF (STEEL)	BN4-BJ8	1	SKIN ONLY (805-715)	£92.58
OP4106	STRENGTHENER - BOOT LID	BN4-BJ8	1	INNER - LOWER	£62.21
OP4109	SCUTTLE TOP - FRONT SHROUD	BN1-BN2	1		£248.33
OP4110	SCUTTLE TOP - FRONT SHROUD	BJ7-BJ8	1	AHB9254	£236.50
OP4115	SHROUD VENT - WORKS	BN4-BJ8	1	COM180	£181.55
OP4120	LOWER FRONT SECTION - FRONT SHROUD	BN1-BN2	1		£307.28
OP4121	LOWER FRONT SECTION - FRONT SHROUD	BN4-BJ8(B)76137	1	14B5728 (857-535)	£235.00
OP4122	LOWER FRONT SECTION - FRONT SHROUD	BJ8(B)76138 ON	1	AHB9211 (857-545)	£282.98
OP4128	HEADLAMP SECTION - RH (FRONT SHROUD)	BN1-BN2	1		£124.74
OP4130	HEADLAMP SECTION - RH (FRONT SHROUD)	BN4-BJ8	1	14B5726 (857-555)	£120.75
OP4138	HEADLAMP SECTION - LH (FRONT SHROUD)	BN1-BN2	1		£124.74
OP4140	HEADLAMP SECTION - LH (FRONT SHROUD)	BN4-BJ8	1	14B5727 (857-565)	£120.75
OP4145	LIGHT PODS - RALLY (PR)	BN4-BJ8	1		£892.24
OP4148	TOP FRONT SECTION - FRONT SHROUD	BN1-BN2	1		£146.48
OP4150	TOP FRONT SECTION - FRONT SHROUD	BN4-BJ8	1	14B5725 (857-575)	£140.00
OP4158	SIDE PANEL - RH (FRONT SHROUD)	BN1-BN2	1		£205.28
OP4160	SIDE PANEL - RH (FRONT SHROUD)	BN4-BJ8	1	14B5723 (857-585)	£222.00
OP4168	SIDE PANEL - LH (FRONT SHROUD)	BN1-BN2	1		£205.28
OP4170	SIDE PANEL - LH (FRONT SHROUD)	BN4-BJ8	1	14B5724 (857-595)	£205.28
OP4180	NOSE ASSY. ONLY - FRONT SHROUD	BN1-BN2	1	(858-435)	£818.00
OP4181	NOSE ASSY. ONLY - FRONT SHROUD	100S	1		£1,482.25
OP4182	NOSE ASSY. ONLY - FRONT SHROUD	BN4-BJ8(B)76137	1	(858-935)	£839.95
OP4183	NOSE ASSY. ONLY - FRONT SHROUD	BJ8(B)76138 ON	1	(858-945)	£885.00
OP4189	FRONT SHROUD - COMPLETE	100S	1		£2,694.50
OP4190	FRONT SHROUD - COMPLETE	BN1-BN2	1	(858-425)	£1,815.00
OP4191	FRONT SHROUD - COMPLETE	BN4-BT7	1	4B1085 (858-905)	£1,815.00
OP4192	FRONT SHROUD - COMPLETE	BJ7-BJ8(B)76137	1	AHB9440 (858-915)	£1,815.00
OP4193	FRONT SHROUD - COMPLETE	BJ8(B)76137 ON	1	AHB9764 (858-925)	£1,890.00
OP4194	INSPECTION PANEL & FITTING KIT - CARBURETTORS	BN4-BJ8	1	ALUMINIUM (RALLY CARS)	£86.63
OP4195	AIR DUCTING - RADIATOR (RALLY CAR)	BN4-BJ8	1		£255.68
OP4197	RADIATOR DEFLECTORS - RALLY (PR)	BN4-BJ8	1		£38.85
OP4200	FRONT VALANCE - STEEL	BN1-BN2	1	14B1909 (805-000)	£28.30
OP4201	FRONT VALANCE - ALUMINIUM	BN1-BN2	1	(858-130)	£31.50

Outer Body Panels

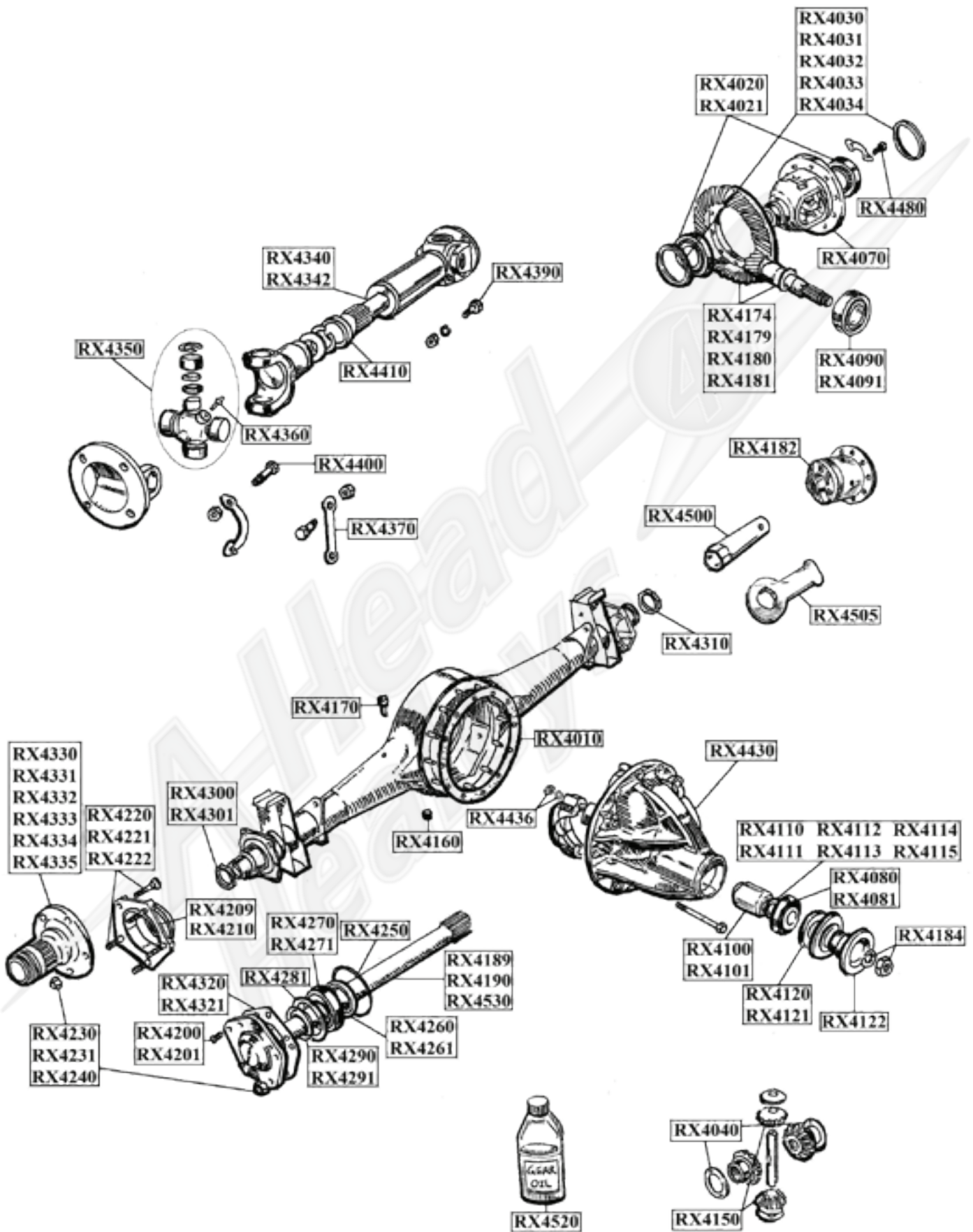
PART №	DESCRIPTION	APPLICATION	QTY	NOTES	PRICE
OP4202	FRONT VALANCE - STEEL	BN4-BJ8	1	14B5735 (031-350)	£24.90
OP4203	FRONT VALANCE - ALUMINIUM	BN4-BJ8	1	(021-749)	£26.95
OP4210	SIDE REPAIR PANEL - REAR SHROUD (RH UPPER)	BN1-BN2	1	(858-235)	£87.68
OP4211	SIDE REPAIR PANEL - REAR SHROUD (LH UPPER)	BN1-BN2	1	(858-245)	£88.20
OP4212	FRONT CORNER REPAIR - RH (REAR SHROUD)	BN4-BT7	1		£43.58
OP4213	FRONT CORNER REPAIR - LH (REAR SHROUD)	BN4-BT7	1		£43.58
OP4220	SIDE REPAIR PANEL - REAR SHROUD (RH LOWER)	BN1-BN2	1	(858-315)	£152.25
OP4221	SIDE REPAIR PANEL - REAR SHROUD (LH LOWER)	BN1-BN2	1	(858-325)	£151.20
OP4230	SIDE REPAIR PANEL - REAR SHROUD (RH COMPLETE)	BN1-BN2	1	(858-185)	£217.00
OP4231	SIDE REPAIR PANEL - REAR SHROUD (LH COMPLETE)	BN1-BN2	1	(858-195)	£217.00
OP4240	SIDE REPAIR PANEL - REAR SHROUD (RH)	BN4-BJ8(B)76137	1	(858-545)	£157.50
OP4241	SIDE REPAIR PANEL - REAR SHROUD (RH)	BJ8(B)76138 ON	1	(858-565)	£197.50
OP4250	SIDE REPAIR PANEL - REAR SHROUD (LH)	BN4-BJ8(B)76137	1	(858-555)	£157.50
OP4251	SIDE REPAIR PANEL - REAR SHROUD (LH)	BJ8(B)76138 ON	1	(858-575)	£197.50
OP4260	REAR SHROUD - REAR SECTION (LOWER)	BN1-BJ8	1	14B5739 (857-710)	£244.65
OP4265	REAR SHROUD - UPPER SECTION (FRONT)	BN6&BN7	1		£520.75
OP4266	REAR SHROUD - UPPER SECTION (FRONT)	BN4&BT7	1		£488.78
OP4270	REAR SHROUD - UPPER SECTION (FRONT)	BJ7-BJ8	1		£430.00
OP4280	REAR SHROUD - COMPLETE	BN1-BN2	1	(858-170)	£1,295.00
OP4281	REAR SHROUD - COMPLETE	BN4&BT7	1	4B1086 (858-445)	£1,295.00
OP4282	REAR SHROUD - COMPLETE	BJ7-BJ8(B)76137	1	AHB9441 (858-455)	£1,295.00
OP4283	REAR SHROUD - COMPLETE	BJ8(B)76138 ON	1	AHB7121 (858-475)	£1,295.00
OP4284	REAR SHROUD - COMPLETE	BN6&BN7	1	4B2048 (858-495)	£1,465.00
OP4288	DOOR REPAIR PANEL - 3/4 SIZE(RH)	BN4-BJ8	1		£55.00
OP4289	DOOR REPAIR PANEL - 3/4 SIZE(LH)	BN4-BJ8	1		£55.00
OP4290	DOOR REPAIR PANEL - LOWER (RH)	BN1-BN2	1	(857-690)	£26.00
OP4291	DOOR REPAIR PANEL - LOWER (LH)	BN1-BN2	1	(857-680)	£26.00
OP4292	DOOR REPAIR PANEL - LOWER (RH)	BN4-BJ8	1	(857-580)	£26.00
OP4293	DOOR REPAIR PANEL - LOWER (LH)	BN4-BJ8	1	(857-590)	£26.00
OP4296	DOOR REPAIR PANEL - BOTTOM FRAME (RH)	BN1-BN2	1		£20.95
OP4297	DOOR REPAIR PANEL - BOTTOM FRAME (LH)	BN1-BN2	1		£20.95
OP4298	DOOR REPAIR PANEL - BOTTOM FRAME (RH)	BN4-BJ8	1	(856-635)	£20.95
OP4299	DOOR REPAIR PANEL - BOTTOM FRAME (LH)	BN4-BJ8	1	(856-645)	£20.95
OP4300	DOOR - COMPLETE (ALUMINIUM) RH	BN1-BN2	1		£318.00
OP4301	DOOR - COMPLETE (ALUMINIUM) LH	BN1-BN2	1		£318.00
OP4302	MOUNTING PLATES - DOOR HINGE (PR) - RH	BN1-BN1.B5000	1		£18.38
OP4303	MOUNTING PLATES - DOOR HINGE (PR) - LH	BN1-BN1.B5000	1		£18.38
OP4304	DOOR - COMPLETE (ALUMINIUM) RH	BN4-BT7	1	(858-075)	£397.00
OP4305	DOOR - COMPLETE (ALUMINIUM) LH	BN4-BT7	1	(858-085)	£397.00
OP4310	DOOR SKIN - STEEL RH	BN1-BN2	1	(858-145)	£122.00
OP4311	DOOR SKIN - STEEL LH	BN1-BN2	1	(858-155)	£122.00
OP4312	DOOR SKIN - ALUMINIUM RH	BN1-BN2	1	(858-165)	£134.00
OP4313	DOOR SKIN - ALUMINIUM LH	BN1-BN2	1	(858-175)	£134.00
OP4314	DOOR SKIN - STEEL RH	BN4-BT7	1	(856-225)	£163.50
OP4315	DOOR SKIN - STEEL LH	BN4-BT7	1	(856-235)	£163.50
OP4316	DOOR SKIN - ALUMINIUM RH	BN4-BT7	1	(856-640)	£186.50

OP

Outer Body Panels

PART №	DESCRIPTION	APPLICATION	QTY	NOTES	PRICE
OP4317	DOOR SKIN - ALUMINIUM LH	BN4-BT7	1	(856-650)	£186.50
OP4318	DOOR SKIN - STEEL RH	BJ7	1	(856-660)	£158.00
OP4319	DOOR SKIN - STEEL LH	BJ7	1	(856-670)	£158.00
OP4320	DOOR SKIN - STEEL RH	BJ8	1	(856-615)	£164.00
OP4321	DOOR SKIN - STEEL LH	BJ8	1	(856-625)	£164.00
OP4322	DOOR SKIN - ALUMINIUM RH	BJ8	1		£170.00
OP4323	DOOR SKIN - ALUMINIUM LH	BJ8	1		£170.00
OP4324	DOOR - COMPLETE - STEEL - RH (2ND HAND)	BJ7	1		£446.25
OP4325	DOOR - COMPLETE - STEEL - LH (2ND HAND)	BJ7	1		£446.25
OP4326	DOOR - COMPLETE - STEEL - RH (2ND HAND)	BJ8	1		£446.25
OP4327	DOOR - COMPLETE - STEEL - LH (2ND HAND)	BJ8	1		£446.25
OP4328	DOOR SKIN - ALUMINIUM RH	BJ7	1	(856-660)	£177.98
OP4329	DOOR SKIN - ALUMINIUM LH	BJ7	1	(856-670)	£177.98
OP4330	BONNET - ALUMINIUM	BN1-BN2	1	(858-080)	£385.00
OP4340	BONNET LOUVERED - ALUMINIUM	BN1-BN2	1	(858-070)	£425.00
OP4343	BONNET SKIN - LOUVERED (STEEL)	100M	1	W/O INNER FRAME	£516.81
OP4345	HINGE - BONNET	BN1-BN2	2		£18.85
OP4350	STRAP ASSY - BONNET SECURING	BN1-BN2	1	(221-608)	£47.67
OP4355	STRAP ASSY - BONNET SECURING (SOFT LINED)	BN1-BN2	1	17H62	£56.49
OP4360	CHROME FIXING PLATES - PR	BN1-BN2	1	(221-598)	£10.45
OP4370	INNER SUPPORT PANEL - BONNET (REAR)	BN4-BJ8	1	ALUMINIUM	£41.48
OP4380	BONNET - RIBBED - ALUMINIUM	BN4	1	(856-145)	£385.00
OP4381	BONNET - PLAIN - ALUMINIUM	BN6-BJ8	1	4B1089 (858-140)	£393.23
OP4390	BONNET - LOUVERED - ALUMINIUM	BN6-BJ8	1	(021-751)	£480.00

Rear Axle



RX

Rear Axle

PART No	DESCRIPTION	APPLICATION	QTY	NOTES	PRICE
RX4005	GASKET DIFF CARRIER	BN1-C221535	1	1G7201	£3.26
RX4006	GASKET DIFF CARRIER FRONT	BN1-C221535	1	1G7620	£2.52
RX4010	GASKET - DIFFERENTIAL	BN1.221536-BJ8	1	ATC7124 (697-440)	£1.05
RX4013	SHIM - DIFF BEARING (0.002)"	BN1.221535	A/R	2K7993	£1.50
RX4014	SHIM - DIFF BEARING (0.003)"	BN1.221535	A/R	ATB7239	£1.50
RX4015	SHIM - DIFF BEARING (0.004)"	BN1.221535	A/R	2K7435	£1.50
RX4016	SHIM - DIFF BEARING (0.006)"	BN1.221535	A/R	6K503	£1.50
RX4017	SHIM - DIFF BEARING (0.010)	BN1.221535	A/R	1G7600	£1.50
RX4020	BEARING - DIFFERENTIAL	BN1-BN1.221535	2	2K8938 (127-700)	£25.99
RX4021	BEARING - DIFFERENTIAL	BN1.221536-BJ8	2	2K6541 (620-546)	£23.05
RX4022	SHIM - DIFF BEARING .005	BN1-BN1.221535	AR	2K7435	£1.63
RX4023	SHIM - DIFF BEARING .010	BN1-BN1.221535	AR	2K7435	£1.63
RX4025	SHIM - BEVEL PINION .003	BN1-BN1.221535	AR		£2.30
RX4026	SHIM - BEVEL PINION .005	BN1-BN1.221535	AR		£2.19
RX4027	SHIM - BEVEL PINION .010	BN1-BN1.221535	AR		£2.19
RX4028	SHIM - BEVEL PINION .020	BN1-BN1.221535	AR		£2.19
RX4030	SHIM - DIFF BEARING .193	BN1.221536-BJ8	AR	ATC7268 (675-115)	£13.13
RX4031	SHIM - DIFF BEARING .187	BN1.221536-BJ8	AR	ATC7061 (675-130)	£13.13
RX4032	SHIM - DIFF BEARING .183	BN1.221536-BJ8	AR	ATC7112 (675-150)	£13.13
RX4033	SHIM - DIFF BEARING .181	BN1.221536-BJ8	AR	ATC7113 (675-160)	£13.13
RX4034	SHIM - DIFF BEARING .177	BN1.221536-BJ8	AR	ATC7115 (675-180)	£13.13
RX4040	THRUST WASHER - DIFF GEAR	BN1.221536-BJ8	2	ATC7106 (675-200)	£4.95
RX4070	CAGE - DIFFERENTIAL	BN1.221536-BJ8	1	ATC7189 (031-288)	£152.25
RX4078	LOCATING PIN - PINION SHAFT	BN1.221536-BJ8	1	ATC7108	£0.62
RX4080	BEARING - PINION, FRONT	BN1-BN1.221535	1	2K7481 (125-805)	£19.15
RX4081	BEARING - PINION, FRONT	BN1.221536-BJ8	1	ATC7091 (021-178)	£17.10
RX4090	BEARING - PINION, REAR	BN1-BN1.221535	1	6K287 (125-600)	£22.75
RX4091	BEARING - PINION, REAR (TIMKEN)	BN1.221536-BJ8	1	ATC7089 (021-179)	£38.47
RX4100	SPACER - PINION	BN1-BN1.221535	1	1B7240 (267-230)	£24.26
RX4101	SPACER - PINION	BN1.221536-BJ8	1	ATC7172 (675-290)	£3.62
RX4109	SHIM - PINION .008	BN1.221536-BJ8	AR		£3.58
RX4110	SHIM - PINION .002	BN1.221536-BJ8	AR		£4.10
RX4111	SHIM - PINION .003	BN1.221536-BJ8	AR		£4.10
RX4112	SHIM - PINION .005	BN1.221536-BJ8	AR		£4.10
RX4113	SHIM - PINION .010	BN1.221536-BJ8	AR	ATC7155 (675-350)	£4.31
RX4114	SHIM - PINION .020	BN1.221536-BJ8	AR	ATC7157 (675-370)	£3.41
RX4115	SHIM - PINION .030	BN1.221536-BJ8	AR	ATC7158 (675-380)	£3.41
RX4120	OIL SEAL - PINION	BN1-BN1.221535	1	1A3253 (520-310)	£7.49
RX4121	OIL SEAL - PINION	BN1.221536-BJ8	1	ATC7085 (021-191)	£2.75
RX4122	PROP FLANGE - DIFFERENTIAL	BN4-BJ8	1	ATC7100 (W/ DUST SHIELD)	£57.96
RX4125	BOLT CARRIER SERRATED CAP	BN1-221536-BJ8 HYPOID AXLE	4	ATC7083	£10.45
RX4130	HEAVY DUTY PINION NUT AND WASHER	BN2-BJ8	1	FNZ612	£6.77
RX4160	DRAIN PLUG	BN1.221536-BJ8	1	6K499 (319-060)	£1.98
RX4170	BREATHER - AXLE CASING	BN1-BJ8	1	1H3364 (267-040)	£1.85
RX4173	CROWN WHEEL & PINION - 4.1:1	BN1.221535	1	RAX300	£488.25
RX4174	CROWN WHEEL & PINION - 3.66:1	BN1.221535	1	RAX301	£488.25

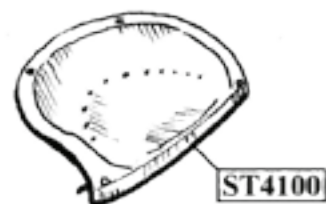
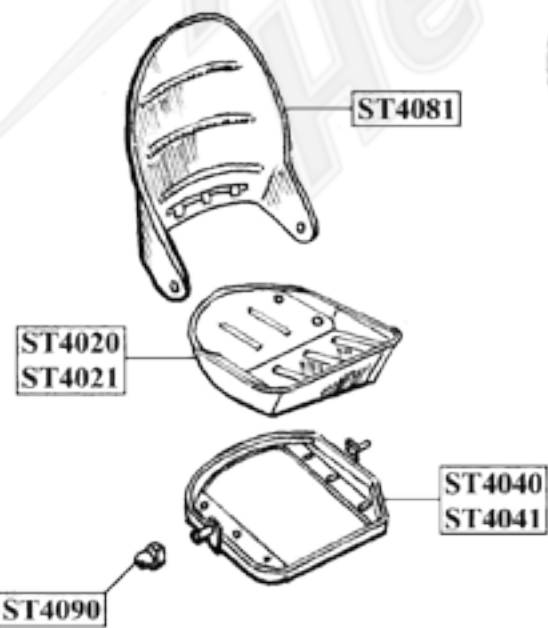
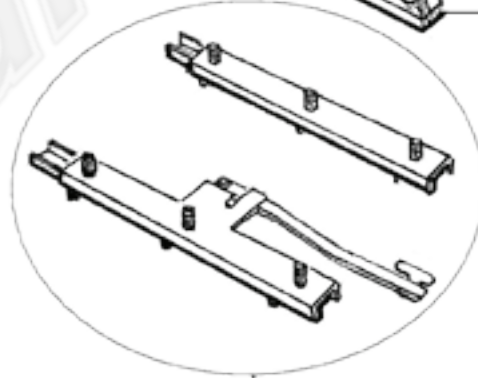
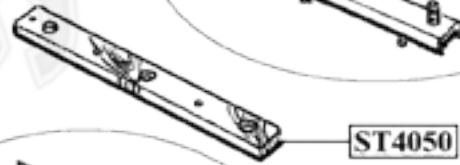
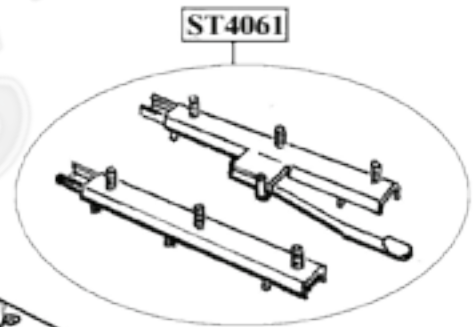
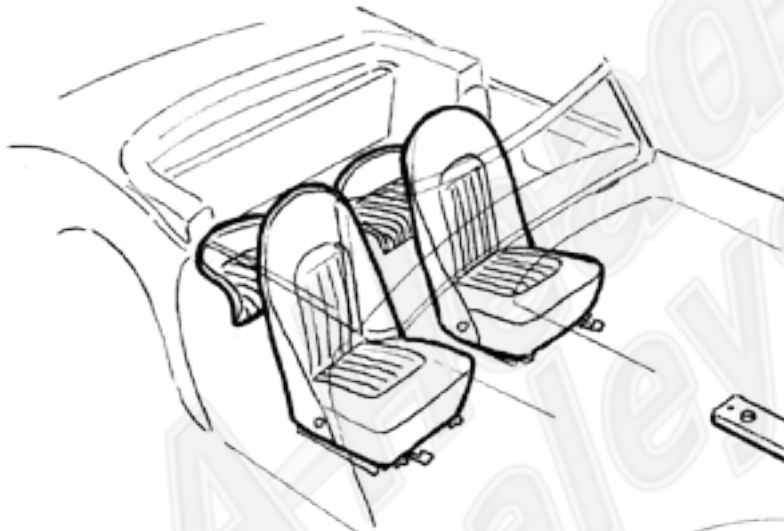
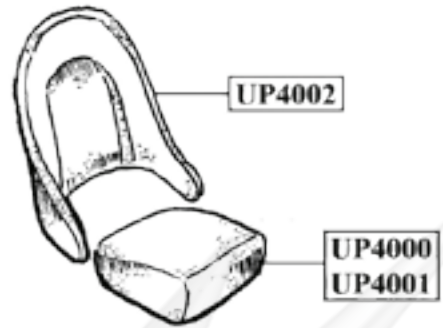
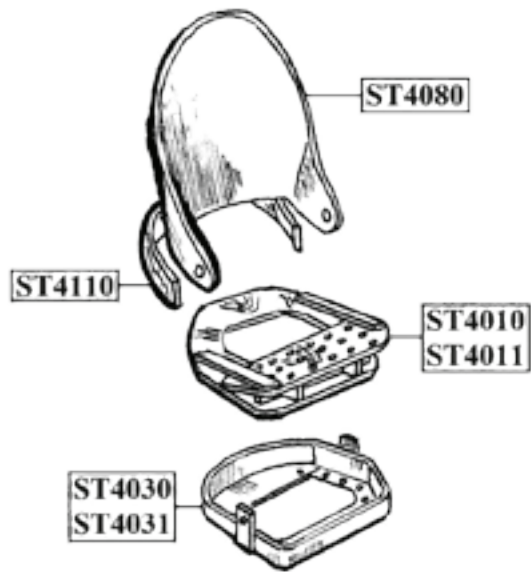
Rear Axle

PART №	DESCRIPTION	APPLICATION	QTY	NOTES	PRICE
RX4179	CROWN WHEEL & PINION - 4.3:1 (WORKS RATIO)	BN1.221535-BJ8	1	CRAX150	£414.75
RX4180	CROWN WHEEL & PINION - 3.9:1 (O/D RATIO)	BN1.221536-BJ8	1	CRAX150A (031-283)	£349.50
RX4181	CROWN WHEEL & PINION - 3.5:1 (NON O/D RATIO)	BN1.221536-BJ8	1	ATC7564 (031-284)	£394.75
RX4182	DIFFERENTIAL - LTD. SLIP (QUAIFE)	BN1.221536-BJ8	1		£835.45
RX4183	BOLT & WASHER SET - CROWN WHEEL	BN7,BT7,BJ7 & BJ8	1	CRAX230	£44.50
RX4187	HALF SHAFT - 4 STUD (NEW)	BN1.221535	2	1B7359 (031-392)	£275.00
RX4189	HALF SHAFT - 4 STUD (USED)	BN1.221535	2	1B7359 (031-392)	£95.00
RX4190	HALF SHAFT - USED	BN1.221536-BJ8	2	ATC7394 (031-328)	£104.95
RX4200	SCREW - HALF SHAFT RETAINING	BN1-BN1.221535	2	2K3825	£0.40
RX4201	SCREW - HALF SHAFT RETAINING	BN1.221536-BJ8	2	CMZ408 (323-250)	£0.25
RX4206	REAR HUB CARRIER - INC. STUDS	100S	2		£494.00
RX4207	100S RACING REAR BEARING CARRIER	100S	2	SRAX155	£183.60
RX4208	REAR HUB- 4 STUD	BN1-C221535	2	G4-117A (031-394)	£194.25
RX4209	REAR HUB - 4 STUD (USED)	BN1.221535	2	G4-117A (031-394)	£99.75
RX4210	REAR HUB - LESS STUDS (USED)	BN1.221536-BJ8	2	ATC7593	£86.75
RX4211	REAR HUB - INCLUDING STUDS	BN1.228012-BJ8	2	ATC7593	£213.28
RX4215	SPACER - REAR HUB TO DISC (100S)	100S	2		£116.95
RX4219	100S STUD REAR HUB	100S	8	SRAX160	£17.15
RX4220	STUD - REAR HUB	BN1-BN1.221535	8	1G7340 (675-400)	£2.25
RX4221	STUD - REAR HUB (WIRE WHEELS)	BN1.221536-BJ8	10	ATC7257 (031-293)	£3.50
RX4222	STUD - REAR HUB (STEEL WHEEL)	BN4-BJ8	10		£4.24
RX4230	LOCKNUT - STUD (WIRE WHEELS)	BN1-BN1.221535	8	1B7376 (311-300)	£4.37
RX4231	LOCKNUT - STUD (WIRE WHEELS)	BN1.221536-BJ8	10	ATB7198 (031-294)	£1.78
RX4240	NUT - STUD (STEEL WHEEL)	BN4-BJ8	20	88G275 (311-600)	£2.05
RX4250	O' RING - HALF SHAFT	BN7&BT7-BJ8	2	ATC7588 (675-430)	£0.75
RX4259	OIL SEAL - REAR HUB (COMPETITION)	100S	2	CRAX172	£24.65
RX4260	OIL SEAL - REAR HUB	BN1-BN1.221535	2	8G555 (120-900)	£2.60
RX4261	OIL SEAL - REAR HUB	BN1.221536-BJ8	2	GHS200 (535-085)	£2.25
RX4265	OIL SEAL - REAR HUB (COMPETITION)	BN1-BJ8	2	HIGH HEAT RESISTANT	£17.38
RX4270	BEARING - REAR HUB	BN1-BN1.221535	2	GHB127 (127-600)	£24.78
RX4271	BEARING - REAR HUB	BN1.221536-BJ8	2	GHB131 (021-174)	£23.05
RX4272	BEARING - REAR HUB (FAG) - HIGH QUALITY	BN1.221536-BJ8	2	GHB131 (021-174)	£50.45
RX4281	SPACER - HUB BEARING	BN7&BT7-BJ8	2	ATC7569 (675-450)	£11.39
RX4290	LOCK WASHER - AXLE NUT	BN1-BN1.221535	2	1G7605 (267-450)	£1.55
RX4291	LOCK WASHER - AXLE NUT	BN1.228012-BJ8	2	ATC7310 (031-292)	£2.05
RX4300	NUT - AXLE TUBE (BOTH SIDES)	BN1-BN1.221535	2	1G7304 (031-393)	£11.29
RX4301	NUT - AXLE TUBE R/H	BN1.228012-BJ8	1	ATC7062 (311-580)	£10.50
RX4310	NUT - AXLE TUBE L/H	BN1.228012-BJ8	1	ATC7309 (311-590)	£11.95
RX4320	GASKET - HALF SHAFT	BN1-BN1.221535	2	1G4193 (293-105)	£0.99
RX4321	GASKET - HALF SHAFT	BN1.228012-BJ8	2	ATC7589 (697-460)	£0.32
RX4325	WHEEL SPACER (ANODISED)	100S	2	SCRAX209	£71.10
RX4330	HUB EXTENSION - WIRE WHEEL R/H	BN1-BN1.221535	1	1B7350 (664-020)	£49.95
RX4331	HUB EXTENSION - WIRE WHEEL L/H	BN1-BN1.221535	1	1B7351 (664-030)	£49.95
RX4332	HUB EXTENSION - WIRE WHEEL R/H	BN1.221536-BJ8.26704	1	ATC7236 (031-290)	£44.50
RX4333	HUB EXTENSION - WIRE WHEEL L/H	BN1.221536-BJ8.26704	1	ATC7237 (031-365)	£44.50
RX4334	HUB EXTENSION - WIRE WHEEL R/H	BJ8.26705 ON	1	BTC406	£44.55

RX

Rear Axle

PART №	DESCRIPTION	APPLICATION	QTY	NOTES	PRICE
RX4335	HUB EXTENSION - WIRE WHEEL L/H	BJ8.26705 ON	1	BTC407 (664-010)	£44.55
RX4340	PROPSHAFT - NEW (OUTRIGHT SALE)	BN2-BJ8	1	1B7489 (268-070)	£157.95
RX4342	PROPSHAFT - HIGH DEFLECTION	BN1-BJ8	1	RACE/RALLY	£282.98
RX4345	TRIPMASTER TRIGGER - PROPSHAFT	BN1-BJ8	2	CMSC450	£79.09
RX4350	UNIVERSAL JOINT - PROPSHAFT (WITH GREASER)	BN1-BJ8	2	8G8981 (674-650)	£7.30
RX4351	UNIVERSAL JOINT - PROPSHAFT (SEALED)	BN1-BJ8	2	8G8981	£10.76
RX4360	GREASE NIPPLE - UNIVERSAL JOINT	BN1-BJ8	2	7H3858 (328-540)	£1.25
RX4370	LOCKWASHER - PROPSHAFT TO O/D	BN1-BJ8	2	2K5914 (031-299)	£1.65
RX4390	BOLT - PROPSHAFT TO DIFFERENTIAL	BN2-BJ8	4	53K1048 (662-080)	£0.58
RX4400	BOLT - FLANGE TO OVERDRIVE	BN1-BJ8	4	1B7474 (662-095)	£4.45
RX4410	CORK RING - DUST CAP	BN2-BJ8	1	7H3956 (675-100)	£1.35
RX4430	DIFFERENTIAL - 3.9:1 (O/D CARS) USED	BT7-BJ8	1	ATC7290	£419.48
RX4435	DIFFERENTIAL - 4.1:1 (USED)	BN1-BJ8	1		£420.00
RX4436	NUT & WASHER SET - BEARING CAP	BN4-BJ8	1	CRAX240	£11.70
RX4480	BOLT - CAGE	BN1.221536-BJ8	12	ATC7232 (320-640)	£0.66
RX4481	LOCK WASHER - CAGE BOLT	BN1.228012-BJ8	5	ATC7109	£2.89
RX4500	SPANNER - HUB NUT	BN1.228012-BJ8	AR		£40.75
RX4505	WHEEL SPANNER - HUB NUT	BN1.228012-BJ8	1		£16.91
RX4520	DIFFERENTIAL GEAR OIL - 1 LITRE	BN1-BJ8	AR		£10.75
RX4530	HALF SHAFT - UPRATED	BN1.221536-BJ8	2	CRAX152	£228.81

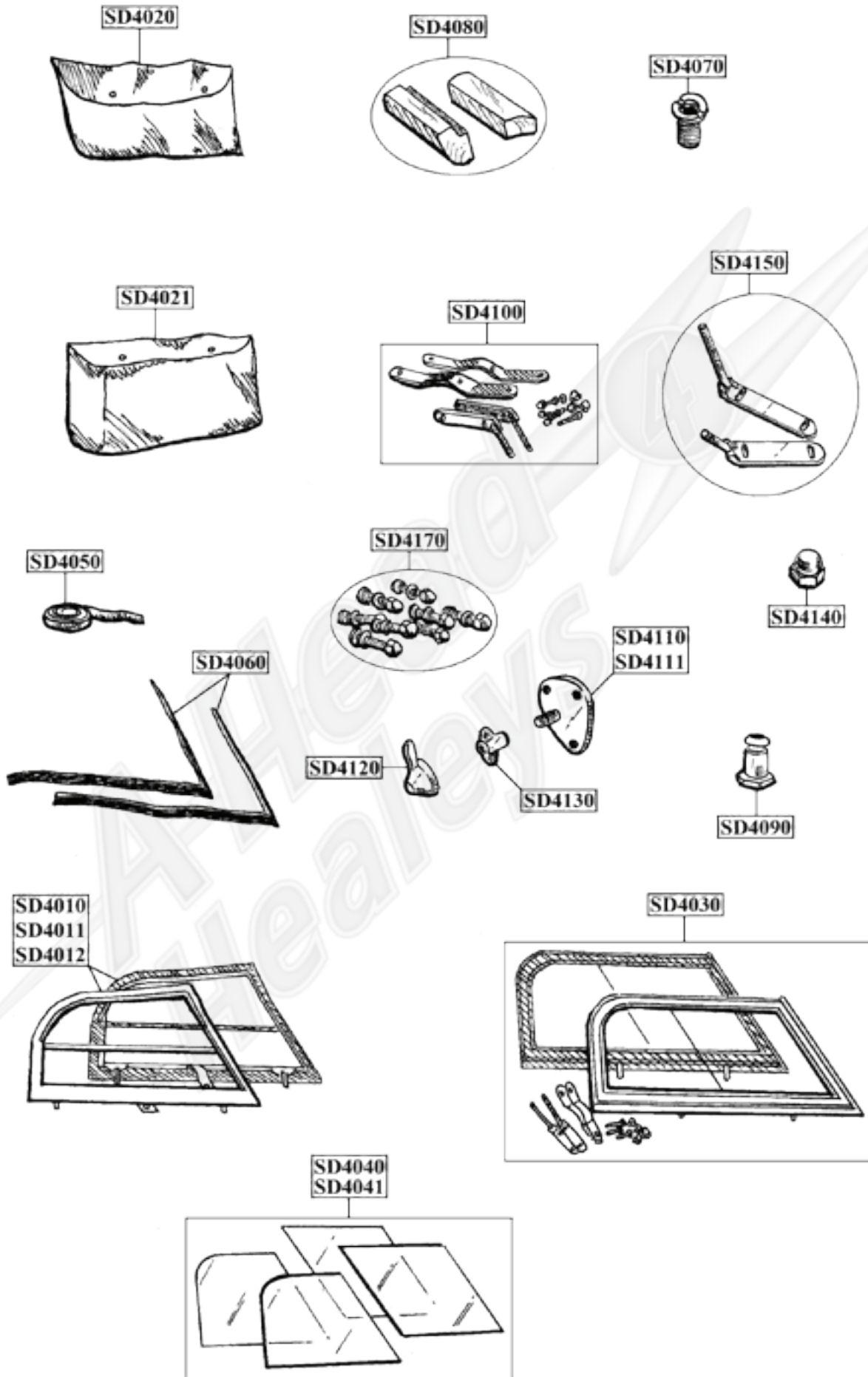


Seats

PART №	DESCRIPTION	APPLICATION	QTY	NOTES	PRICE
ST4010	BASE - SEAT R/H (WOOD)	BN1-BN4	1	4B5375 (856-210)	£29.95
ST4011	BASE - SEAT L/H (WOOD)	BN1-BN4	1	4B5376 (856-220)	£29.95
ST4020	BASE - SEAT R/H (METAL)	BN6-BJ8	1	(856-240)	£77.50
ST4021	BASE - SEAT L/H (METAL)	BN6-BJ8	1	(856-230)	£77.50
ST4030	LOCATING FRAME - BASE R/H	BN1-BN4	1	(856-260)	£92.50
ST4031	LOCATING FRAME - BASE L/H	BN1-BN4	1	(856-250)	£92.50
ST4040	LOCATING FRAME - BASE R/H	BN6-BJ8	1	(856-280)	£54.50
ST4041	LOCATING FRAME - BASE L/H	BN6-BJ8	1	(856-270)	£54.50
ST4050	PACKING PIECE - SEAT RUNNER	BN1-BJ8	4	(856-370)	£3.20
ST4060	SEAT SLIDE - PR R/H (PER SEAT) - ORIGINAL TYPE	BN1-BJ8	1	14B2774 (856-380)	£39.95
ST4061	SEAT SLIDE - PR L/H (PER SEAT) - ORIGINAL TYPE	BN1-BJ8	1	14B2767 (856-390)	£39.95
ST4070	TUBE NUT - SEAT SLIDE	BN1-BJ8	12	14B2877 (031-329)	£1.20
ST4080	SQUAB - FRONT SEAT (METAL)	BN1-BN4	2	(856-190)	£82.50
ST4081	SQUAB - FRONT SEAT (METAL)	BN6-BJ8	2	(856-200)	£82.50
ST4090	DOME NUT- CHROME - SQUAB TO FRAME	BN1-BJ8	4	14B2685 (402-550)	£0.95
ST4100	PAN - REAR SEAT	BN4,BT7,BJ7&BJ8	2	(856-160)	£62.50
ST4110	TACK PANELS - SEAT BACK, PER SEAT	BN1-BN4	2	(856-358)	£13.25
ST4120	REAR SEAT BLANKING PLATE	BN4,BT7,BJ7&BJ8	2	ALUMINIUM	£27.95

Sidescreens

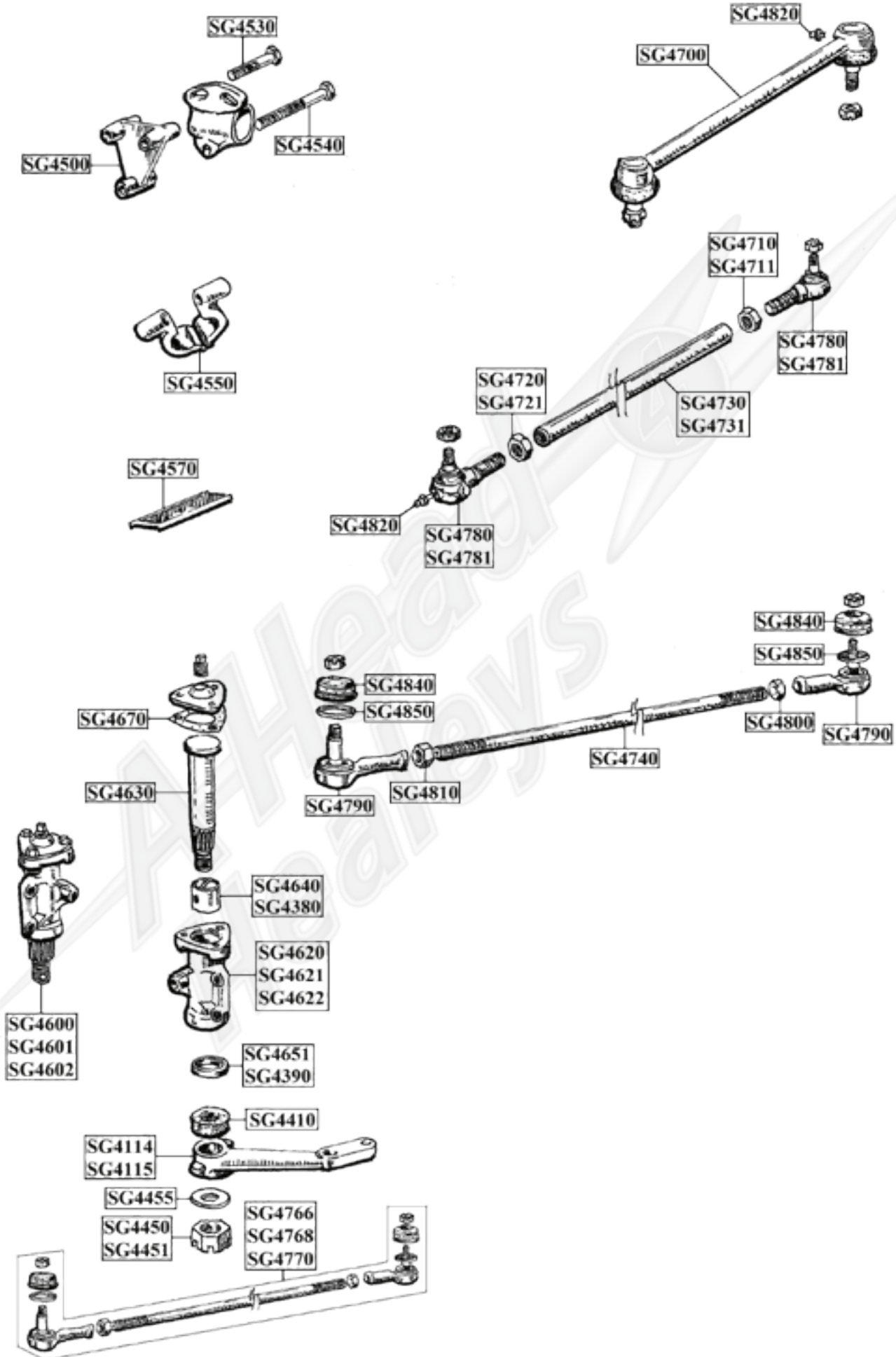
SD



Sidescreens

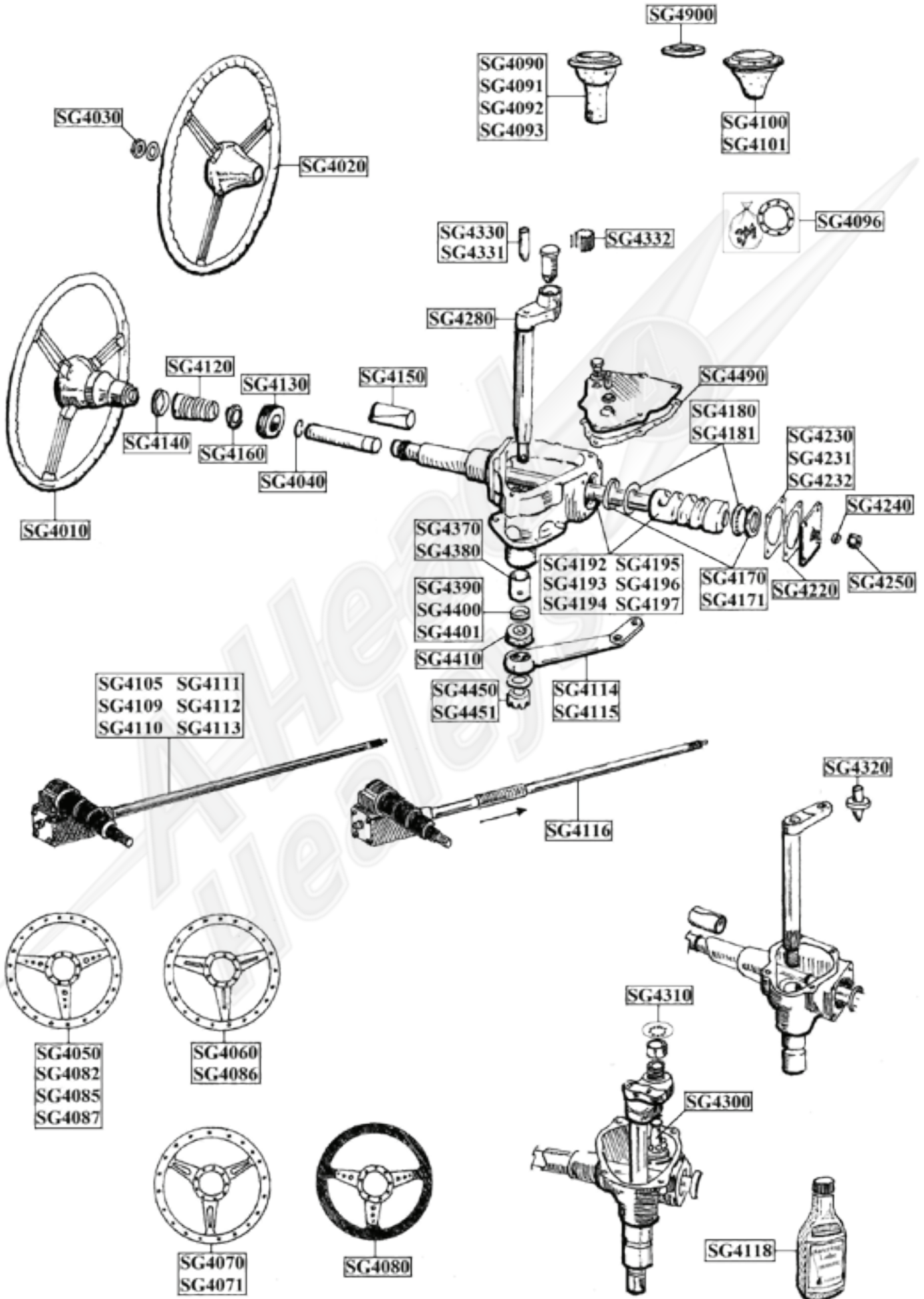
PART №	DESCRIPTION	APPLICATION	QTY	NOTES	PRICE
SD4010	SIDESCREENS PAIR - BLACK	BN1-BN2	1	(259-108)	£265.85
SD4011	SIDESCREENS PAIR - BLUE	BN1-BN2	1	(259-118)	£269.50
SD4012	SIDESCREENS PAIR - RED	BN1-BN2	1	(259-138)	£183.15
SD4020	SIDESCREENS BAG - BLACK	BN1-BN2	1	(248-930)	£35.75
SD4021	SIDESCREENS BAG - BLACK	BN4-BT7	1	(248-940)	£38.25
SD4023	SIDESCREENS BAG - BLUE	BN4-BJ8	1		£38.25
SD4030	SIDESCREENS - PR	BN4-BT7	1	24B635/6 (259-208)	£237.35
SD4040	PERSPEX - SIDESCREENS (CAR SET)	BN4	1		£55.00
SD4041	PERSPEX - SIDESCREENS (CAR SET)	BN4-BT7	1	14B7744	£57.45
SD4050	FELT - SIDESCREEN	BN4-BT7	2	AHA5420	£1.80
SD4060	SEAL - SIDESCREEN SURROUND (PR)	BN4-BT7	1	14B7755/6 (021-774)	£12.95
SD4070	SOCKET - SIDESCREEN FITTING	BN1-BN2	4	14B1881 (805-170)	£6.45
SD4080	WOOD BLOCK - SIDESCREEN SOCKETS (PR)	BN1-BN2	1	(805-168)	£10.90
SD4090	SOCKET ASSY - SIDESCREEN FITTING	BN4-BT7	2	14B7648/9 (805-120)	£5.39
SD4100	BRACKET SET - SIDESCREEN FITTING	BN4-BT7	1		£34.05
SD4110	PLATE - SIDESCREEN FIXING	BN4-BN4.68959	2	14B7471 (405-300)	£7.32
SD4111	PLATE - SIDESCREEN FIXING	BN4.68960-BT7	2	24B1656 (805-100)	£5.95
SD4112	FIXING KIT - SIDESCREEN PLATE (CAR SET)	BN4-BT7	1	24B1656FK	£2.31
SD4120	WING NUT - SIDESCREEN FIXING	BN4-BN4.68959	4	14B7469 (805-145)	£5.59
SD4130	WING NUT - SIDESCREEN FIXING	BN4.68960-BT7	4	24B540 (805-110)	£3.75
SD4140	DOME NUT - SIDESCREEN BRACKETS	BN4-BT7	8	14B7889	£0.90
SD4170	FIXING KIT - BRACKETS (CAR SET)	BN4-BT7	1		£8.95

Steering



SG

Steering



Steering

PART №	DESCRIPTION	APPLICATION	QTY	NOTES	PRICE
SG4010	STEERING WHEEL - ADJ (ORIG. TYPE)	BN1-BJ8	1	1B6299 (853-790)	£246.17
SG4020	STEERING WHEEL - NON-ADJ (ORIG. TYPE)	BN1-BJ8	1	8G624 (853-800)	£170.50
SG4030	NUT - WHEEL RETAINING (NON-ADJ)	BN1-BJ8	1	2K6057 (310-385)	£9.27
SG4035	SHAKEPROOF WASHER - STEERING WHEEL NUT	BN1-BJ8	1	2K8929 (NON ADJ)	£1.50
SG4040	CIRCLIP - WHEEL RETAINING (ADJ)	BN1-BJ8	1	1F6153 (326-095)	£1.40
SG4050	STEERING WHEEL - MOTO-LITA (15IN) - WOOD - DRILLED	BN1-BJ8	1	(454-190)	£154.95
SG4060	STEERING WHEEL - MOTO-LITA (15IN) - WOOD - SLOTTED	BN1-BJ8	1	(905-760)	£148.15
SG4070	STEERING WHEEL - MOTO-LITA (15IN) - WOOD - DERRINGTON STYLE	BN1-BJ8	1		£197.59
SG4071	STEERING WHEEL - MOTA LITA (15IN) - MOHOGANY - DERRINGTON	BN1-BJ8	1		£276.70
SG4080	STEERING WHEEL - MOTO-LITA (15IN) - LEATHER - DRILLED	BN1-BJ8	1		£139.95
SG4082	STEERING WHEEL - MOTA LITA COPY (14IN) - WOOD - DRILLED	BN1-BJ8	1		£99.95
SG4085	STEERING WHEEL - MOTA-LITA COPY (15IN) - WOOD - DRILLED	BN1-BJ8	1		£119.50
SG4086	STEERING WHEEL - MOTA-LITA COPY (15IN) - WOOD - SLOTTED	BN1-BJ8	1		£119.50
SG4087	STEERING WHEEL - MOTA-LITA COPY (15IN) - DRILLED - TEEK	BN1-BJ8	1		£119.50
SG4088	STEERING WHEEL - MOTA-LITA COPY (15IN) - LEATHER - DRILLED	BN1-BJ8	1		£119.50
SG4090	BOSS - ADJUSTABLE (MOTO-LITA)	BN1-BJ8	1	(454-297)	£98.35
SG4091	BOSS - ADJUSTABLE (WITH COLLAR)	BN1-BJ8	1		£104.65
SG4092	BOSS - ADJUSTABLE (WITH COLLAR) POLISHED	BN1-BJ8	1		£175.50
SG4093	BOSS - ADJUSTABLE (MOTO-LITA) POLISHED	BN1-BJ8	1		£113.35
SG4096	SCREW & RING SET - POLISHED	BN1-BJ8	1	MOTA-LITA ONLY	£11.25
SG4100	BOSS - NON ADJUSTABLE (MOTO-LITA)	BN1-BJ8	1	(454-347)	£87.95
SG4101	BOSS - NON ADJUSTABLE (MOTO-LITA) POLISHED	BN1-BJ8	1		£99.75
SG4105	STEERING BOX - USED (LHD)	BN1-BN2.230977	1		£375.00
SG4106	STEERING BOX NON ADJ - LHD (NEW) HIGH RATIO	BN4.68960-BJ8	1	STG114BH	£1,560.30
SG4107	STEERING BOX ADJ. - RHD (NEW) HI RATIO	BN4-68960-BJ8	1		£1,560.30
SG4108	STEERING BOX NON ADJ - RHD (NEW) STD RATIO	BN4-68960-BJ8	1		£1,560.30
SG4109	STEERING BOX NON ADJ - LHD (NEW) STD RATIO	BN4.68960-BJ8	1	11G2100	£1,560.30
SG4110	STEERING BOX ADJ - LHD TO RHD CONVERSION (EXCHANGE)	BN4.68960-BJ8	1		£1,029.25
SG4111	STEERING BOX ADJ - RHD (NEW) STD RATIO	BN4.68960-BJ8	1	AHB8314	£1,560.30
SG4112	STEERING BOX NON ADJ - LHD TO RHD CONVERSION (EXCHANGE)	BN4.68960-BJ8	1		£1,029.25
SG4113	STEERING BOX ADJ - LHD (NEW) STD RATIO	BN4.68960-BJ8	1	AHB8312	£1,560.30
SG4114	STEERING ARM - RHD (NEW) LHD IDLER	BN4-BJ8	1	STG300	£145.06
SG4115	STEERING ARM - LHD (NEW) RHD IDLER	BN4-BJ8	1		£145.06
SG4118	STEERING BOX LUBE-PENRITE 1/2 LITRE	BN1-BJ8	1		£7.50
SG4120	SPRING COVER - POLISHED (ADJ ONLY)	BN1-BJ8	1	1D6132 (260-130)	£11.95
SG4122	LEVER - STEERING ON SWIVEL AXLE - (RH) USED	BN1	1		£81.50
SG4123	LEVER - STEERING ON SWIVEL AXLE - (LH) USED	BN1	1		£81.50
SG4124	LEVER - STEERING ON SWIVEL AXLE - (RH) USED	BN2-BJ8	1	1B4475	£81.50
SG4125	LEVER - STEERING ON SWIVEL AXLE - (LH) USED	BN2-BJ8	1	1B4476	£81.50
SG4126	STEERING ARM - RHD (LHD IDLER) USED	BN1-BN2.230977	1	1B6197	£84.50

SG

Steering

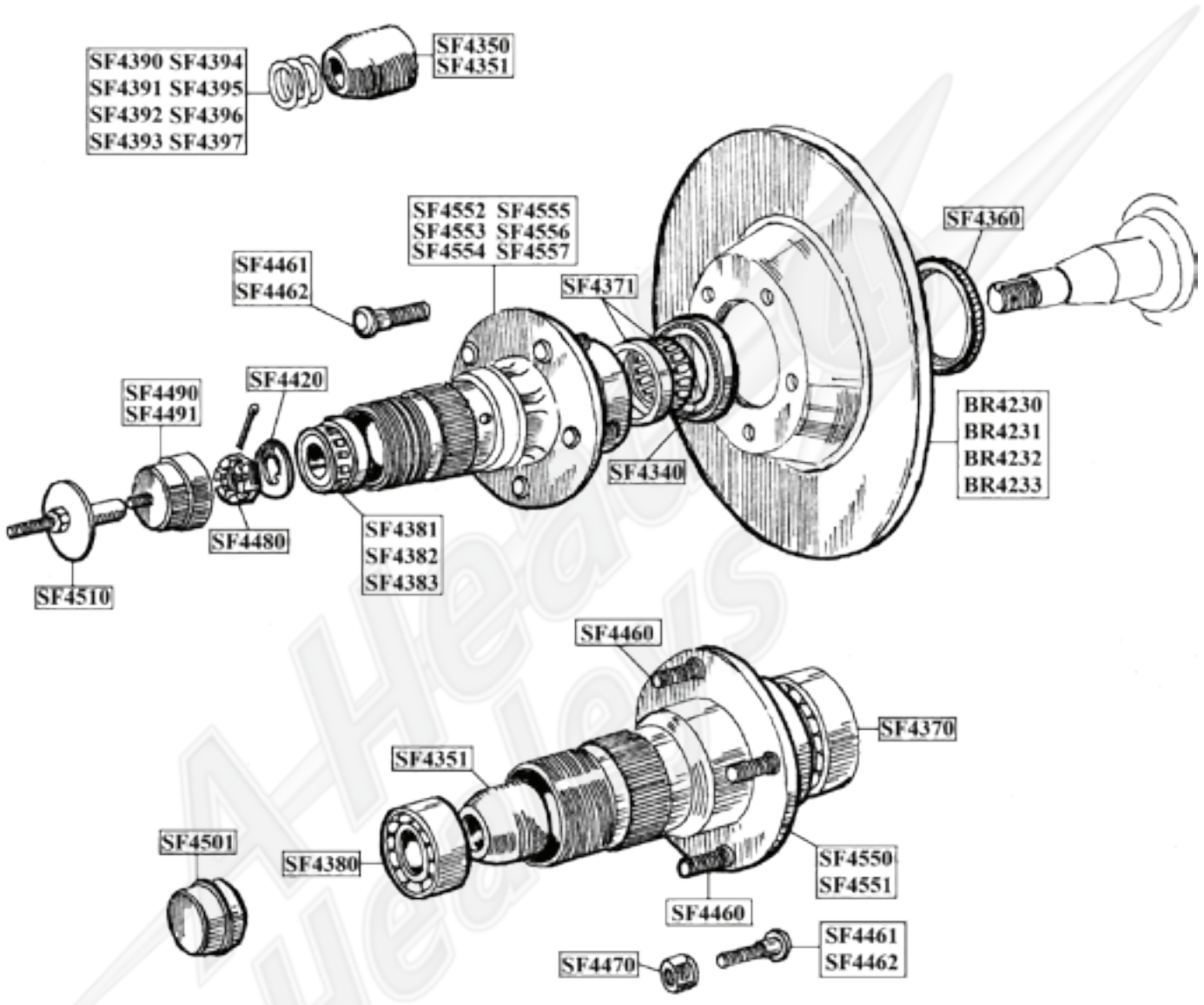
PART No	DESCRIPTION	APPLICATION	QTY	NOTES	PRICE
SG4127	STEERING ARM - LHD (RHD IDLER) USED	BN1-BN2.230977	1	1B6198	£84.50
SG4128	STEERING ARM - RHD (LHD IDLER) USED	BN2.230978-BJ8	1	1B6277	£99.50
SG4129	STEERING ARM - LHD (RHD IDLER) - USED	BN2.230978-BJ8	1	1B6278	£99.50
SG4130	GROMMET - DASH (STEERING COLUMN)	BN1-BJ8	1 OR 2	3H2506 (682-215)	£1.25
SG4140	COLLAR - DUST SPRING (UPPER)	BN1-BJ8	1	1B6301 (667-670)	£8.80
SG4150	FELT BUSH - STEERING COLUMN	BN2-BJ8	1	AHA5893 (667-655)	£1.85
SG4160	SPRING SUPPORT - LOWER (ADJ)	BN1-BJ8	1	1B6214 (667-660)	£4.45
SG4170	BALL CUP - STEERING COLUMN	BN1-BN2.230977	2	7H6733 (667-645)	£14.40
SG4171	BALL CUP - STEERING COLUMN	BN2.230978-BJ8	2	7H6116 (667-630)	£8.95
SG4180	BALL BEARING SET - STEERING COLUMN	BN1-BN2.230977	1	7H6709 (329-600)	£6.42
SG4181	BALL RACE - STEERING COLUMN	BN2.230978-BJ8	2	7H6709 (031-264)	£10.64
SG4190	INNER COLUMN & WORM - RHD (NON ADJ) STD RATIO	BN4-68960-BJ8	1	CSTG300	£299.25
SG4191	INNER COLUMN & WORM - RHD (NON ADJ) HIGH RATIO	BN4-68960-BJ8	1	CSTG300H	£299.25
SG4192	INNER COLUMN & WORM - RHD (ADJ) STD RATIO	BN4.68960-BJ8	1	CSTG301	£299.25
SG4193	INNER COLUMN & WORM - RHD (ADJ) HIGH RATIO	BN4.68960-BJ8	1	CSTG301H	£299.25
SG4194	INNER COLUMN & WORM - LHD (NON ADJ) STD RATIO	BN4.68960-BJ8	1	CSTG302	£299.25
SG4195	INNER COLUMN & WORM - LHD (NON ADJ) HIGH RATIO	BN4.68960-BJ8	1	CSTG302H (CSTG302H)	£299.25
SG4196	INNER COLUMN & WORM - LHD (ADJ) STD RATIO	BN4.68960-BJ8	1	CSTG303 (667-615)	£299.25
SG4197	INNER COLUMN & WORM - LHD (ADJ) HIGH RATIO	BN4.68960-BJ8	1	CSTG303H (HIGH RATIO)	£312.56
SG4220	GASKET - END COVER	BN2.230978-BJ8	1	17H2660 (697-160)	£0.54
SG4230	SHIM - END COVER (0.002-0.0025)	BN2.230978-BJ8	AR	7H6118 (260-040)	£1.05
SG4231	SHIM - END COVER (0.005)	BN2.230978-BJ8	AR	7H6128 (260-050)	£1.23
SG4232	SHIM - END COVER (0.010)	BN2.230978-BJ8	AR	7H6129	£1.40
SG4240	OLIVE - STATOR TUBE	BN1-BJ8	1	3H660 (667-055)	£1.35
SG4250	TUBE NUT - STATOR TUBE	BN1-BJ8	1	7H6167 (667-065)	£1.58
SG4260	STATOR TUBE - ADJUSTABLE	BN4-BJ8	1	1B6226 (021-247)	£27.90
SG4270	STATOR TUBE & PLATE - NON ADJUSTABLE	BN1.149950-BJ8	1	47H5246 (021-240)	£36.60
SG4280	ROCKER SHAFT ASSEMBLY - STEERING	BN4.68960-BJ8	1	17H6106 (667-685)	£261.08
SG4300	PEG - STEERING BOX	BN1-BN2.230977	1	7H6752 (667-035)	£86.70
SG4310	BALL BEARINGS - PEG TOP AND BOTTOM SET	BN1-BN2.230977	1	7H6754/5 (329-540/580)	£3.70
SG4320	PEG - ROCKER SHAFT	BN2.230978- BN4.68959	1	7H6605 (667-620)	£58.50
SG4330	PEG - ROCKER SHAFT	BN4.68960-BJ8	1	(031-262)	£32.69
SG4331	PEG - ROCKER SHAFT - UPRATED	BN4.68960-BJ8	1		£49.95
SG4332	NEEDLE ROLLER - PEG	BN4.68960-BJ8	17		£0.68
SG4370	BUSH - STEERING BOX	BN1-BN2.230977	1	7H6712 (667-680)	£28.61
SG4380	BUSH - STEERING BOX & IDLER	BN2.230978-BJ8	1 OR 2	1B6257 (031-267)	£4.95
SG4390	OIL SEAL - STEERING BOX & IDLER	BN1-BN2.230977	1	3H3132 (520-040)	£1.40
SG4400	OIL SEAL - STEERING BOX	BN2.230978-BJ8	1	7H6589 (520-260)	£2.65
SG4401	OIL SEAL - STEERING BOX - LARGE SEAL CONVERSION	BN1-BJ8	1		£3.35
SG4410	DUST SEAL - STEERING BOX & IDLER	BN2.230978-BJ8	1	27H6995 (520-250)	£1.05
SG4450	NUT - ROCKER SHAFT & IDLER SHAFT	BN1-BN2.230977	1	7H6703	£2.32
SG4451	NUT - ROCKER SHAFT & IDLER SHAFT	BN2.230978-BJ8	1	7H6436 (725-110)	£4.15
SG4455	WASHER - ROCKER SHAFT & IDLER SHAFT	BN2.230978-BJ8	2		£2.95
SG4490	GASKET - STEERING BOX COVER	BN4.68959-BJ8	1	17H8153 (697-420)	£0.64

Steering

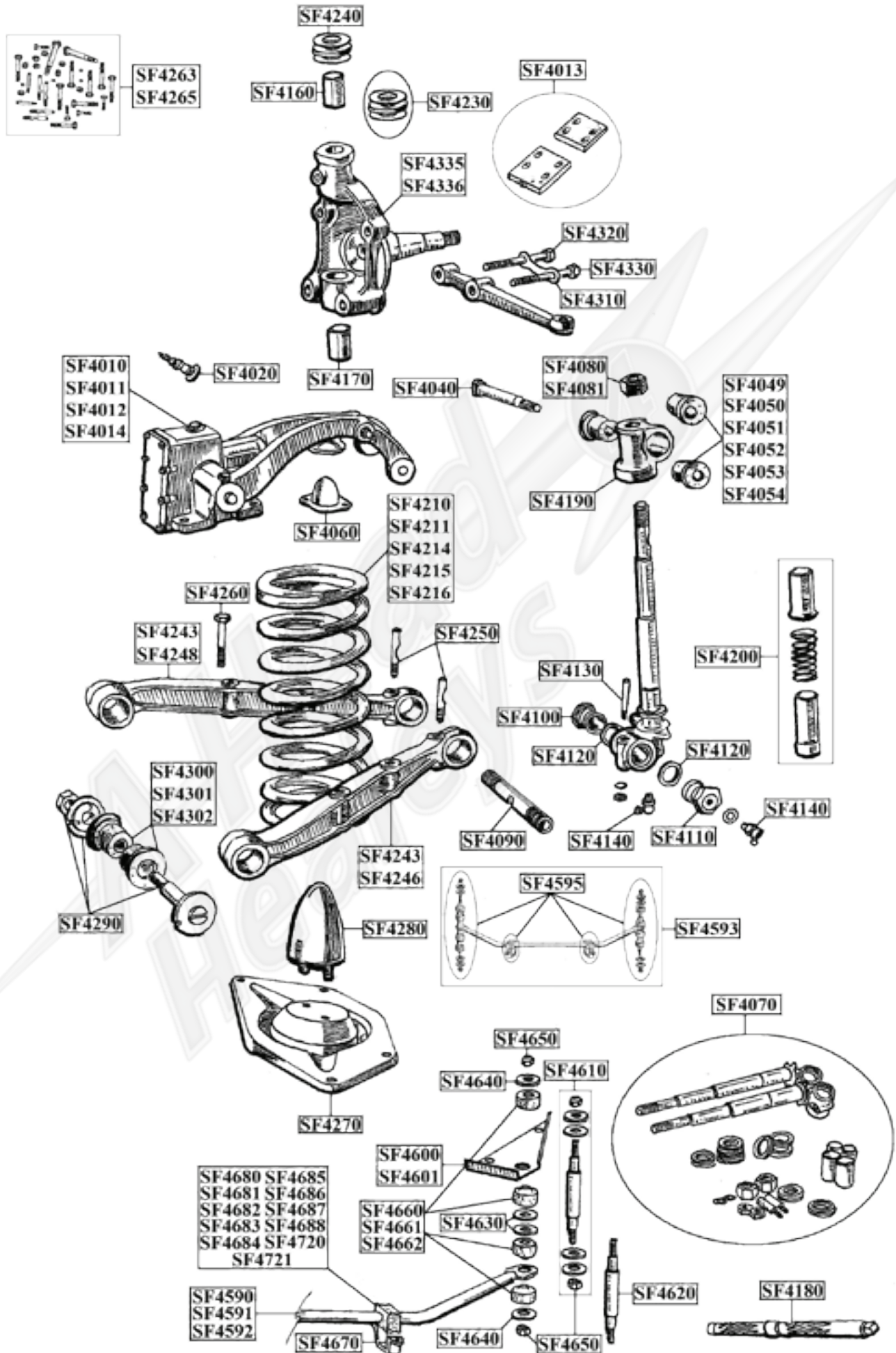
PART №	DESCRIPTION	APPLICATION	QTY	NOTES	PRICE
SG4500	SPACER BRACKET - STEERING BOX & IDLER	BN1-BJ8	2	1B6195 (667-790)	£25.50
SG4530	BOLT - STEERING BOX FIXING - SHORT	BN1-BJ8	5	HBZ626 (320-315)	£0.85
SG4540	BOLT - STEERING BOX FIXING - LONG	BN1-BJ8	1	HBZ638	£1.10
SG4548	BRACKET - COLUMN TO SCUTTLE (RHD)	BN4-BJ8	1	14B2549	£11.35
SG4549	BRACKET - COLUMN TO SCUTTLE (LHD)	BN4-BJ8	1	14B2550	£11.35
SG4550	CLAMP - STEERING COLUMN (PR)	BN1-BJ8	1	1B6199 (667-825)	£23.63
SG4554	BRACKET - STEERING COLUMN FIXING (USED)	BN4-BJ8	1	14B2547	£45.00
SG4570	RUBBER STRIP - COLUMN CLAMP	BN1-BJ8	1	4B2502 (667-795)	£2.38
SG4599	STEERING IDLER - COMPLETE (LHD) REBUILT - EXCHANGE	BN1-BN2.230977	1		£130.00
SG4600	STEERING IDLER - COMPLETE (RHD) REBUILT - EXCHANGE	BN1-BN2.230977	1	1B6131	£130.00
SG4601	STEERING IDLER - COMPLETE - RHD	BN2.230978-BJ8	1	1B6281	£104.90
SG4602	STEERING IDLER - COMPLETE - LHD	BN2.230978-BJ8	1	1B6286 (667-565)	£117.85
SG4604	BOLT - STEERING IDLER	BN4-BJ8	3	HBZ0624	
SG4620	IDLER BODY - RHD (REBUILT ORIGINAL)	BN1-BN2.230977	1	1B6133	£64.50
SG4621	IDLER BODY - RHD (REBUILT ORIGINAL)	BN2.230978-BJ8	1	1B6282	£45.00
SG4622	IDLER BODY - LHD (REBUILT ORIGINAL)	BN2.230978-BJ8	1	1B6287	£45.00
SG4630	SHAFT - IDLER BOX	BN2.230978-BJ8	1	1B6258 (667-700)	£63.70
SG4640	BUSH - IDLER	BN1-BN2.230977	2	1A6679 (667-000)	£4.05
SG4651	OIL SEAL - IDLER	BN2.230978-BJ8	1	13H91 (520-240)	£1.58
SG4670	GASKET - IDLER LID	BN1-BJ8	1	1B6138 (697-430)	£0.34
SG4700	SIDE ROD	BN1-BJ8	2	AHB9609 (667-550)	£42.12
SG4710	LOCKNUT - RH	BN1-BN2.228931	1	2K7657	£2.12
SG4711	LOCKNUT - RH	BN2.228932-BJ7.19190	1	51K320 (310-810)	£0.88
SG4720	LOCKNUT - LH	BN1-BN2.228931	1	2K7658	£2.34
SG4721	LOCKNUT - LH	BN2.228932-BJ7.19190	1	53K365 (310-185)	£2.03
SG4730	CENTRE ROD	BN1-BN2.228931	1	1G6313	£19.45
SG4731	CENTRE ROD	BN2.228932-BJ7.19190	1	1B6340	£19.90
SG4740	CENTRE ROD	BJ7.19191-BJ8	1	17H2144	£19.45
SG4766	CENTRE ROD ASSY. COMPLETE	BN1-BN2.228931	1		£34.95
SG4768	CENTRE ROD ASSY. COMPLETE	BN2.228932-BJ7.19190	1		£34.95
SG4770	CENTRE ROD ASSY. COMPLETE	BJ7.19191-BJ8	1	(667-735)	£34.95
SG4780	TRACK ROD ENDS (PR) - CENTRE ROD	BN1-BN2.228931	1	1G6309 (021-181)	£22.49
SG4781	TRACK ROD ENDS (PR) - CENTRE ROD	BN2.228932-BJ7.19190	1	1G6353 (667-580)	£17.49
SG4790	TRACK ROD ENDS (PR) - CENTRE ROD	BJ7.19191-BJ8	1	17H2142/3 (021-182)	£24.68
SG4800	LOCKNUT - RH	BJ7.19191-BJ8	1	FNZ210 (310-490)	£0.48
SG4810	LOCKNUT - LH	BJ7.19191-BJ8	1	FNZ2210 (310-495)	£1.75
SG4820	GREASE NIPPLE - TRACK ROD END	BN1-BJ7.19190	6	UHN400 (328-610)	£0.31
SG4840	RUBBER GAITER - TRACK ROD END	BN1-BJ8	6	17H3481 (262-220)	£1.30
SG4850	CLIP RETAINING - RUBBER GAITER (WIRE)	BN1-BJ8	6	7H6893 (262-210)	£1.14
SG4900	HORN BUTTON - MOTO-LITA HUB ONLY	BN1-BJ8	1	REPL. FOR ORIG.	£13.95
SG4901	BADGE - MOTA-LITA HORN BUTTON (A-H)	BN1-BJ8	1	GLB103	£1.50
SG4905	CENTRE CAP - POLISHED ALUMINIUM (MOTA-LITA)	BN1-BJ8	1		£39.95

SG

Suspension Front



Suspension Front



SF

Suspension Front

PART №	DESCRIPTION	APPLICATION	QTY	NOTES	PRICE
SF4010	SHOCK ABSORBER - FRONT	BN1-BJ8	2	AYH4040 (655-066)	£153.95
SF4011	SHOCK ABSORBER - FRONT (RECON.) EXCHANGE	BN1-BJ8	2	AYH4040 (655-055)	£44.63
SF4012	SHOCK ABSORBER - FRONT - 25% UPRATED	BN1-BJ8	2		£153.95
SF4013	MTG. PLATES - FT. SHOCK ABSORBERS (ADJ.) PR	BN1-BJ8	1		£93.85
SF4015	FRONT SUSPENSION KIT - TELESCOPIC	BN1-BJ8	1		£395.75
SF4020	VALVE - SHOCK ABSORBER (UPRATED)	BN1-BJ8	2	(655-060)	£20.42
SF4040	TRUNION PIN AND NUT	BN1-BJ8	2	1G4349 (263-440)	£1.84
SF4049	BUSH SET - TRUNNION (ADJ.)	BN1-BJ8	1	2A4144A	£97.65
SF4050	RUBBER BUSH - TOP TRUNNION	BN1-BJ8	4	8G621 (282-310)	£0.95
SF4051	BUSH SET - TOP TRUNNION (POLYBUSH BLACK)	BN1-BJ8	1		£17.38
SF4052	BUSH SET - OFFSET (TOP TRUNNION)	BN1-BJ8	1	CSUF105	£25.67
SF4053	BUSH SET - TOP TRUNNION (POLYBUSH RED)	BN1-BJ8	1		£17.38
SF4060	REBOUND RUBBER - UPPER	BN1-BJ8	2	1G4276 (031-279)	£1.00
SF4070	KING PIN KIT - INCL. FULCRUM PINS	BN1-BJ8	1	8G4217 (021-188)	£69.95
SF4075	GREASE NIPPLE - KING PIN	BN1-BJ8	2	UHN445 (328-500)	£0.63
SF4080	NYLOC NUT - KING PIN	BN1-BJ8	2	(310-605)	£0.74
SF4081	CASTELLATED NUT - KING PIN	BN1-BJ8	2	53K329	£1.68
SF4090	FULCRUM PIN - LOWER	BN1-BJ8	2	1A4788 (661-900)	£7.30
SF4100	SCREWED CAP - REAR (PLAIN)	BN1-BJ8	2	1G4348 (661-880)	£4.35
SF4110	SCREWED CAP - FRONT (DRILLED)	BN1-BJ8	2	1G4346 (661-870)	£4.35
SF4120	CORK RING	BN1-BJ8	4	1G4505 (031-277)	£0.47
SF4130	COTTER PIN & NUT - KING PIN	BN1-BJ8	2	53K1770 (661-890)	£1.13
SF4140	GREASE NIPPLE	BN1-BJ8	2	UHN490 (328-500)	£0.64
SF4160	BUSH - TOP (STUB AXLE) PHOS. BRONZE	BN1-BJ8	2	1A4744 (021-184)	£7.09
SF4170	BUSH - BOTTOM (STUB AXLE) PHOS. BRONZE	BN1-BJ8	2	1A4745 (021-185)	£7.09
SF4180	REAMER - KING PIN - RENT ONLY PLEASE ENQUIRE	BN1-BJ8	1	£10.00 /DAY (386-375)	£250.00
SF4190	TOP TRUNNION	BN1-BJ8	2	1A4760 (031-274)	£49.45
SF4191	TOP TRUNNION (USED)	BN1-BJ8	2	1A4760	£33.60
SF4200	DUST EXCLUDER KIT - KING PIN	BN1-BJ7.21766	2	(661-940)	£6.81
SF4204	CORK RING - LOWER KING PIN	BN1-BJ8	2	1A4746 (295-000)	£1.00
SF4210	FRONT SPRING	BN1-BN2	2	1B4484 (661-910)	£28.19
SF4211	FRONT SPRING	BN4-BJ8	2	1H4092 (661-920)	£32.95
SF4214	FRONT SPRING - 412LB	100S	2	CSUF122	£47.41
SF4215	COMPETITION FRONT SPRING - 600LB	BN4-BJ8	2	CSUF123	£43.44
SF4216	COMPETITION FRONT SPRING - 800LB	BN4-BJ8	2	CSUF123/800	£43.44
SF4217	COMPETITION FRONT SPRING - 1000LB	BN4-BJ8	2	CSUF123/1000	£43.44
SF4230	BEARING KIT - TOP TRUNNION (PR)	BN1-BJ8	1		£29.95
SF4240	SHIM - TRUNNION BEARING (0.004)	BN1-BJ8	6		£0.14
SF4243	LOWER WISHBONE ARM (USED)	BN1-BN2	4	1A4763	£63.00
SF4244	LOWER WISHBONE ARM R/H FRONT L/H REAR	BN2-BJ8	1	SUF126	£125.00
SF4245	LOWER WISHBONE ARM L/H FRONT R/H REAR	BN2-BJ8	1	SUF127	£125.00
SF4246	LOWER WISHBONE ARM - FRONT (RH) USED	BN4-BJ8	2	1B4366 (REAR (LH))	£84.00
SF4248	LOWER WISHBONE ARM - FRONT (LH) USED	BN4-BJ8	2	1B4365 (REAR (RH))	£84.00
SF4250	COTTER PIN - LINK, FULCRUM PIN	BN1-BJ8	4	1G4350 (661-850)	£1.10
SF4260	BOLT - WISHBONE ARM TO SPRINGPAN	BN2-BJ8	8	HBZ620 (320-575)	£0.85
SF4263	FASTENER KIT - FRONT SUSPENSION (BSF)	BN1	AR		£42.35
SF4265	FASTENER KIT - FRONT SUSPENSION (UNF)	BN2-BJ8	AR		£30.87

Suspension Front

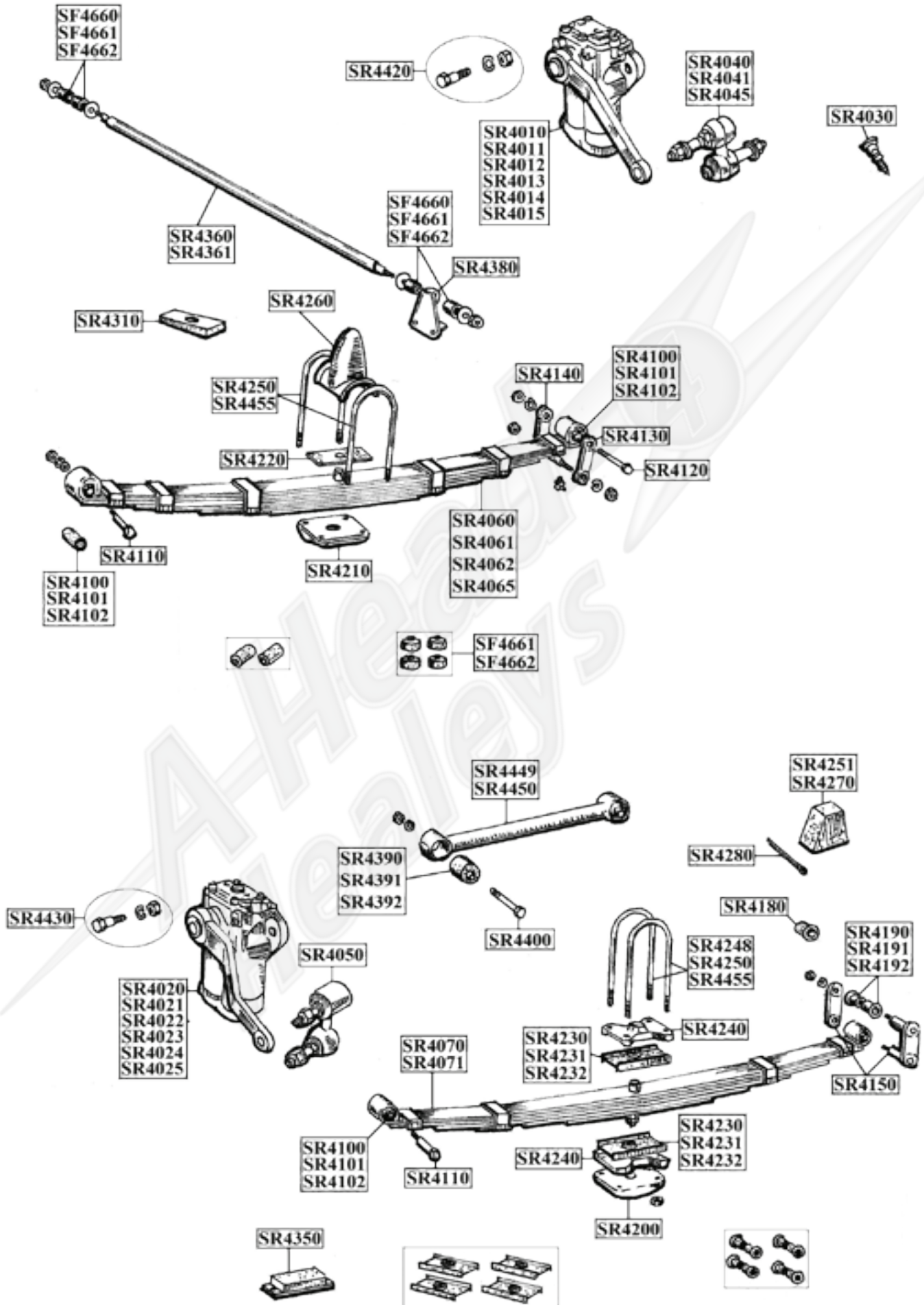
PART №	DESCRIPTION	APPLICATION	QTY	NOTES	PRICE
SF4270	SPRING PAN	BN1-BJ8	2	ACB4066 (662-070)	£39.75
SF4280	BUMP RUBBER - LOWER	BN1-BJ8	2	1B4501 (661-820)	£5.50
SF4290	PIN ASSY. - INNER WISHBONE (COMPLETE)	BN1-BJ8	4	1B4513 (661-860)	£8.14
SF4300	BUSH - INNER WISHBONE	BN1-BJ8	8	ACB9274 (021-187)	£1.20
SF4301	BUSH SET - INNER WISHBONE (POLYBUSH BLACK)	BN1-BJ8	1		£34.74
SF4302	BUSH SET - INNER WISHBONE (POLYBUSH RED)	BN1-BJ8	1		£34.74
SF4303	WISHBONE BUSH SET (RACING ONLY)	BN1-BJ8	1	CSUF133	£30.50
SF4310	LOCKWASHER - STEERING ARM BOLT	BN2-BJ8.26704	2	1B4457 (661-930)	£2.49
SF4318	BOLT - STEERING LEVER (BSF)	BN1-BN2.230977	4		£2.36
SF4320	BOLT - SHORT STEERING LEVER	BT7-BJ8.26704	2	HBZ0728 (266-580)	£0.95
SF4330	BOLT - LONG STEERING LEVER	BT7-BJ8.26704	2	HBZ0730 (320-350)	£1.05
SF4333	STUB AXLE - HEAVY DUTY	BN2-BJ7	2	CSUF140 (NEW)	£295.84
SF4334	STUB AXLE - USED	BN2-BJ8 26704	2	1B4517	£86.10
SF4335	STUB AXLE - RH (USED)	BJ8.26705 ON	1	BTC372 (664-445)	£155.00
SF4336	STUB AXLE - LH (USED)	BJ8.26705 ON	1	BTC373 (664-440)	£155.00
SF4340	SPACER - SWIVEL AXLE	BJ8.26705 ON	2	BTC431 (031-387)	£20.87
SF4350	SPACER - WHEEL BEARING	BN2-BJ8.26704	2	1B4527 (031-389)	£15.07
SF4351	SPACER - WHEEL BEARING	BJ8.26705 ON	2	88G484 (264-620)	£17.33
SF4360	OIL SEAL - FRONT HUB	BN1-BJ8	2	GHS103 (535-055)	£1.75
SF4370	WHEEL BEARING - FRONT INNER	BN1	2	GHB125 (866-630)	£29.95
SF4371	WHEEL BEARING - FRONT INNER	BN2-BJ8	2	GHB105 (126-000)	£8.49
SF4380	WHEEL BEARING - FRONT OUTER	BN1	2	GHB126 (620-614)	£13.80
SF4381	WHEEL BEARING - FRONT OUTER	BN2-BJ8.26704	2	GHB182 (620-234)	£13.65
SF4382	WHEEL BEARING - FRONT OUTER	BJ8.26705 ON	2	GHB102 (126-100)	£5.90
SF4383	WHEEL BEARING - FRONT (OUTER) STEEL WHEEL	BN4-BN6	2	GHB148 (021-200)	£35.95
SF4390	SHIM - WHEEL BEARING .003	BN2-BJ8.26704	AR	1B4528 (263-145)	£1.48
SF4391	SHIM - WHEEL BEARING .005	BN2-BJ8.26704	AR	1B4529 (263-155)	£1.37
SF4392	SHIM - WHEEL BEARING .010	BN2-BJ8.26704	AR	1B4530 (263-165)	£1.37
SF4393	SHIM - WHEEL BEARING .032	BN2-BJ8.26704	AR	BTC370 (263-175)	£1.37
SF4394	SHIM - WHEEL BEARING .003	BJ8.26705 ON	AR	ATB4240 (263-500)	£0.55
SF4395	SHIM - WHEEL BEARING .005	BJ8.26705 ON	AR	ATB4241 (263-510)	£0.55
SF4396	SHIM - WHEEL BEARING .010	BJ8.26705 ON	AR	ATB4242 (263-520)	£0.55
SF4397	SHIM - WHEEL BEARING .030	BJ8.26705 ON	AR	BTB656 (263-525)	£0.55
SF4399	SHIM SET - WHEEL BEARING (7 PIECES)	BJ8.26705 ON	2	ATB4242K	£4.25
SF4410	GREASE - HIGH MELTING POINT - PENRITE - 500G	BN1-BJ8	1	GGL9040X	£6.60
SF4420	WASHER - FRONT HUB	BN1-BJ8	2	1B4392 (264-955)	£0.65
SF4460	STUD - HUB TO BRAKE DRUM	BN1	8	1B4322	£2.59
SF4461	STUD - HUB TO BRAKE DRUM (WIRE WHEELS)	BN2-BN6	8	1B4416	£6.95
SF4462	STUD - HUB TO BRAKE DISC	BT7&BN7-BJ8	10	BTC103 (662-020)	£3.25
SF4470	NUT - FRONT HUB STUD	BN1-BN1.228046	8	6K303	£2.43
SF4472	LOWERING KIT - FRONT SUSPENSION	BN1-BJ8	2	CSUF250	£22.17
SF4473	BUMP STOP KIT (USE WITH SF4472)	BN1-BJ8	1	CSUF131S	£51.87
SF4480	NUT- FRONT HUB RETAINING	BN1.221404-BJ8	2	53K330 (310-820)	£2.23
SF4490	GREASE CAP - WIRE WHEEL	BN1-BJ8.26704	2	1B4316 (662-060)	£11.66
SF4491	GREASE CAP - WIRE WHEEL	BJ8.26705 ON	2	BTC392 (662-030)	£2.88
SF4501	GREASE CAP - STEEL WHEEL	BT7&BN7-BJ8	2	ATB4098 (264-120)	£6.89
SF4510	EXTRACTOR TOOL - GREASE CAP	BN1-BJ8	1	1B4339 (WIRE WHEEL)	£10.95

SF

Suspension Front

PART No	DESCRIPTION	APPLICATION	QTY	NOTES	PRICE
SF4540	FRONT HUB - R/H	100S	1		£618.00
SF4541	SPACER - FRONT HUB TO DISC	100S	2		£120.00
SF4549	FRONT HUB - L/H	100S	1		£618.00
SF4550	HUB - FRONT WIRE WHEEL (RH)	BN1	1	1B4320 (662-100)	£73.50
SF4551	HUB - FRONT WIRE WHEEL (LH)	BN1	1	1B4321 (662-110)	£73.50
SF4552	HUB - FRONT WIRE WHEEL (RH)	BN2-BN6	1	1B4478 (661-960)	£63.80
SF4553	HUB - FRONT WIRE WHEEL (LH)	BN2-BN6	1	1B4481 (661-970)	£63.80
SF4554	HUB - FRONT WIRE WHEEL (RH)	BT7&BN7-BJ8.26704	1	BTC108 (661-980)	£59.95
SF4555	HUB - FRONT WIRE WHEEL (LH)	BT7&BN7-BJ8.26704	1	BTC109 (031-269)	£59.95
SF4556	HUB - FRONT WIRE WHEEL (RH)	BJ8.26705 ON	1	BTC390 (661-990)	£62.50
SF4557	HUB - FRONT WIRE WHEEL (LH)	BJ8.26705 ON	1	BTC391 (662-000)	£62.50
SF4570	HUB - FRONT - DISC WHEEL (USED)	BT7-BJ8.26704	2	BTC101	£104.50
SF4590	ANTI ROLL BAR - 5/8IN	BN4-BJ8	1	1B4525 (031-281)	£104.68
SF4591	ANTI ROLL BAR - 3/4IN (UPRATED)	BN4-BJ8	1		£99.45
SF4592	ANTI ROLL BAR KIT - 7/8IN (UPRATED INC FITTINGS)	BN1-BJ8	1	CSUF192K (INCL. FITTINGS)	£186.38
SF4593	ANTI ROLL BAR KIT - 7/8IN (RALLY)	BN1-BJ8	1	CSUF192S (INCL. FITTINGS)	£229.43
SF4595	FITTING KIT - ANTI ROLL BAR (7/8IN)	BN1-BJ8	1	CSUF192F (INCL. FITTINGS)	£53.71
SF4600	MOUNTING BRACKET - A.R.B. (RH)	BN1-BJ8	1	1B7354 (662-040)	£5.48
SF4601	MOUNTING BRACKET - A.R.B. (LH)	BN1-BJ8	1	1B7355 (662-050)	£5.48
SF4610	LINK ASSY. - INCL. NUTS & WASHERS	BN1-BJ8	2	(661-810)	£4.99
SF4620	LINK - A.R.B.	BN1-BJ8	2	1B4486	£2.89
SF4630	LARGE WASHER - A.R.B. LINK	BN1-BJ8	4	6K9582	£0.29
SF4640	SMALL WASHER - A.R.B. LINK	BN1-BJ8	4	PWZ207	£0.20
SF4650	LOCK NUT - A.R.B. LINK	BN1-BJ8	4	LNZ105	£0.16
SF4660	RUBBER BUSH - A.R.B. LINK	BN1-BJ8	8	3H3079 (021-769)	£0.48
SF4661	BUSH SET - A.R.B LINK (POLYBUSH BLACK) PER SIDE	BN1-BJ8	2		£18.95
SF4662	BUSH SET - A.R.B LINK (POLYBUSH RED) PER SIDE	BN1-BJ8	2		£18.95
SF4670	STRAP BRACKET	BN1-BJ8	2	1B7356 (263-430)	£0.83
SF4680	RUBBER BUSH - STRAP BRACKET	BN1-BN2	2	1B7357 (682-140)	£0.77
SF4681	RUBBER BUSH - STRAP BRACKET	BN4-BJ8	2	1B4526 (021-767)	£0.94
SF4682	RUBBER BUSH - STRAP BRACKET (3/4IN) UPRATED	BN4-BJ8	2	AHH7927 (280-915)	£1.18
SF4683	BUSH SET - STRAP BRACKET (POLYBUSH BLACK) 5/8IN	BN1-BJ8	1	2 PIECES	£10.97
SF4684	BUSH SET - STRAP BRACKET (POLYBUSH RED) 5/8IN	BN1-BJ8	1	2 PIECES	£10.97
SF4685	BUSH SET - STRAP BRACKET (POLYBUSH BLACK) 7/8IN	BN1-BJ8	1	2 PIECES	£10.97
SF4686	BUSH SET - STRAP BRACKET (POLYBUSH RED) 7/8IN	BN1-BJ8	1	2 PIECES	£10.97
SF4687	BUSH SET - STRAP BRACKET (POLYBUSH BLACK) 3/4IN	BN1-BJ8	1	2 PIECES	£10.97
SF4688	BUSH SET - STRAP BRACKET (POLYBUSH RED) 3/4IN	BN1-BJ8	1	2 PIECES	£10.97
SF4720	BUSH SET - STRAP BRACKET (POLYBUSH BLACK) 9/16IN	BN1-BN2	1	2 PIECES	£10.97
SF4721	BUSH SET - STRAP BRACKET (POLYBUSH RED) 9/16IN	BN1-BN2	1	2 PIECES	£10.97

Suspension Rear



SR

Suspension Rear

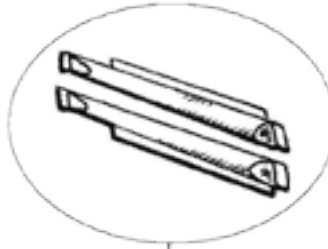
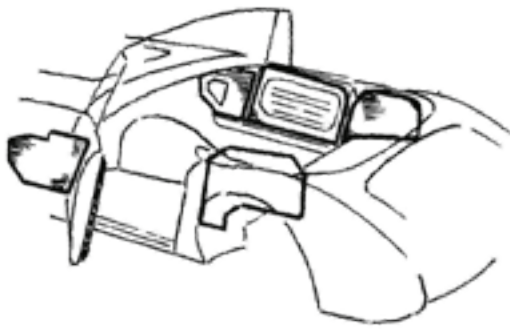
PART No	DESCRIPTION	APPLICATION	QTY	NOTES	PRICE
SR4010	SHOCK ABSORBER - REAR - RH	BN1-BJ8.26704	1	1B7472 (021-216)	£81.92
SR4011	SHOCK ABSORBER - REAR - RH (RECON. EXCH.)	BN1-BJ8.26704	1		£44.63
SR4012	SHOCK ABSORBER - REAR - RH (30% UPRATED)	BN1-BJ8.26704	1	SC1114	£72.86
SR4013	SHOCK ABSORBER - REAR - LH	BN1-BJ8.26704	1	1B7473 (021-215)	£81.92
SR4014	SHOCK ABSORBER - REAR - LH (RECON. EXCH.)	BN1-BJ8.26704	1		£44.63
SR4015	SHOCK ABSORBER - REAR - LH (30% UPRATED)	BN1-BJ8.26704	1	SC1115	£72.86
SR4016	TELESCOPIC REAR SUSPENSION KIT	BN1-BJ8.26704	1		£400.21
SR4017	TELESCOPIC REAR SUSPENSION KIT	BJ8.26705 ON	1		£413.70
SR4018	TELESCOPIC REAR SUSPENSION KIT - KONI ADJ.	BN1-BJ8.26704	1		£414.75
SR4019	TELESCOPIC REAR SUSPENSION KIT - KONI ADJ.	BJ8.26705 ON	1		£414.75
SR4020	SHOCK ABSORBER - REAR - RH	BJ8.26705 ON	1	GSA153 (021-219)	£81.95
SR4021	SHOCK ABSORBER - REAR - RH (RECON. EXCH.)	BJ8.26705 ON	1		£44.63
SR4023	SHOCK ABSORBER - REAR - LH	BJ8.26705 ON	1	GSA154 (021-218)	£81.95
SR4024	SHOCK ABSORBER - REAR - LH (RECON. EXCH.)	BJ8.26705 ON	1		£44.63
SR4026	SHOCK ABSORBER - REAR - RH (30% UPRATED)	BJ8.26705 ON	1	GSA153	£83.48
SR4027	SHOCK ABSORBER - REAR - LH (30% UPRATED)	BJ8.26705 ON	1	GSA154	£83.48
SR4030	VALVE - SHOCK ABSORBER - UPRATED	BN1-BJ8	2		£20.42
SR4035	TELESCOPIC CONVERSION KIT (WITH TORSION BAR)	BN1-BJ8.26704	1		£414.75
SR4040	SHOCK LINK	BN1-BN1.221535	2	3H3088 (031-398)	£23.12
SR4041	SHOCK LINK	BN1.221536- BJ8.26704	2	1B7453 (021-217)	£18.85
SR4045	SHOCK LINK - ROSE JOINTED	BN1.221536- BJ8.26704	2	CSUR115	£138.70
SR4050	SHOCK LINK	BJ8.26705 ON	2	17H9276 (021-220)	£14.25
SR4060	LEAF SPRING	BN1-BN2	2	1B8929 (021-369)	£61.50
SR4062	LEAF SPRING - UPRATED (8 LEAF)	BN4-BJ8.26704	2	11B5266U	£86.63
SR4065	LEAF SPRING	BN4-BJ8.26704	2		£81.75
SR4069	LEAF SPRING	BJ8.26705 ON	2	AHB9980 (021-371)	£69.70
SR4070	LEAF SPRING (UK MADE)	BJ8.26705 ON	2	AHB9980 (021-371)	£143.45
SR4071	COMPETITION REAR SPRING - RACE SPEC.	BN1-BJ8	2	CSUR121R	£140.60
SR4100	BUSHING - SPRING (INCL. IN NEW SPRING)	BN1-BJ8	2 OR 4	88G278 (680-960)	£3.36
SR4101	BUSH SET - SPRING (POLYBUSH BLACK)	BN1-BJ8	1 OR 2		£15.75
SR4102	BUSH SET - SPRING (POLYBUSH RED)	BN1-BJ8	1 OR 2		£15.75
SR4103	BUSH SET - SPRING (NYLON)	BN1-BJ7	1	CSUR125	£49.20
SR4110	SHACKLE PIN WITH NUT - D HEAD	BN1-BJ8	2 OR 4	1G9321 (675-470)	£3.51
SR4120	SHACKLE PIN & NUTS - REAR LOWER	BN1-BJ8.26704	2	1G9320 (031-295)	£6.02
SR4130	SHACKLE PLATE - OUTER	BN1-BJ8.26704	2	1A9222 (675-465)	£9.45
SR4140	SHACKLE PLATE - INNER	BN1-BJ8.26704	2	1A9223 (675-475)	£9.45
SR4150	SHACKLE PLATE - COMPLETE	BJ8.26705 ON	2	AHB9977 (031-401)	£13.49
SR4180	BUSH - CHASSIS	BN1-BJ8.26704	4	1G9800 (021-372)	£2.33
SR4190	BUSH - CHASSIS (REAR SPRING EYE)	BJ8.26705 ON	8	2A5176 (367-540)	£0.40
SR4191	BUSH SET - CHASSIS (POLYBUSH BLACK)	BJ8.26705 ON	1	8 PIECE SET	£34.64
SR4192	BUSH SET - CHASSIS (POLYBUSH RED)	BJ8.26705 ON	1	8 PIECE SET	£34.64
SR4200	SPRING PLATE	BJ8.26705 ON	2		£28.56
SR4210	SPRING PLATE	BN4-BJ8.26704	2	11B5071 (725-165)	£27.25
SR4220	FIBRE PACKING - SPRING PLATE	BN4-BJ8.26704	2	1G5753 (267-580)	£1.89
SR4230	RUBBER PAD - SEATING	BJ8.26705 ON	4	ACG5002 (267-580)	£0.79
SR4231	PAD SET - SEATING (POLYBUSH BLACK)	BJ8.26705 ON	1	4 PIECE SET	£31.13

Suspension Rear

PART №	DESCRIPTION	APPLICATION	QTY	NOTES	PRICE
SR4232	PAD SET - SEATING (POLYBUSH RED)	BJ8.26705 ON	1	4 PIECE SET	£31.13
SR4240	LOCATING PLATE - REAR SPRING	BJ8.26705 ON	4	AHB6660 (031-400)	£11.82
SR4248	U. BOLT - WITH NUTS	BN1-BN1.221535	4	1G5103 & 1G5271	£28.97
SR4250	U. BOLT - WITH NUTS	BN1.221536-BJ8	4	AHB9982 (266-585)	£1.95
SR4251	BUMP RUBBER - ON BODY	BN1-BN1.221535	2	1B7365	£18.34
SR4260	BUMP RUBBER - ON AXLE	BN1.221536-BJ8.26704	2	11B5068 (675-490)	£16.69
SR4270	BUMP RUBBER - ON AXLE	BJ8.26705 ON	2	2A7142 (282-220)	£3.79
SR4280	SPLIT PIN - BUMP RUBBER FIXING	BJ8.26705 ON	4	(725-125)	£0.17
SR4310	PACKING PIECE - TAPERED	BN1-BN1.221535	2	1B7352	£10.95
SR4312	PIN - REAR SPRING LOCATING	BN1-BN1.228046	2	2A5006	£8.93
SR4350	REBOUND BUMP STOP - ON CHASSIS	BN1-BJ8	2	11B5234 (675-510)	£3.37
SR4360	PANHARD ROD - INCL. NUTS & WASHERS	BN1-BJ8.26704	1	1B7366 (851-300)	£23.59
SR4361	PANHARD ROD KIT - UP-RATED	BN1-BJ8.26704	1		£144.22
SR4362	WASHER - PANHARD ROD - OUTER - 3/8IN x 1 1/4IN	BN1-BJ8 26704	2	PWZ206	£0.45
SR4363	WASHER - PANHARD ROD - INNER - 7/16IN x 1 1/2IN	BN1-BJ8 26704	2	PWZ207	£0.45
SR4364	BUSH - PANHARD ROD	BN1-BJ8.26704	2	USE SF4660	
SR4365	ANTI ROLL BAR KIT - REAR	BN1-BJ8	1	CSUR192K	£179.94
SR4380	BRACKET - PANHARD ROD	BN1-BJ8.26704	2	1B7470 (675-440)	£10.18
SR4390	BUSH - RADIUS ARM	BJ8.26705 ON	4	AHB9984 (675-520)	£8.52
SR4391	BUSH SET - RADIUS ARMS (POLYBUSH BLACK)	BJ8.26705 ON	1	4 PIECE SET	£43.84
SR4392	BUSH SET - RADIUS ARMS (POLYBUSH RED)	BJ8.26705 ON	1	4 PIECE SET	£43.84
SR4400	BOLT & NUT - RADIUS ARM	BJ8.26705 ON	4	HBZ0722 (322-155)	£0.90
SR4420	BOLT ASSY. - SHOCK ABSORBER MOUNTING	BN1-BJ8.26704	4	53K1048 (662-080)	£0.90
SR4430	BOLT ASSY. - SHOCK ABSORBER MOUNTING	BJ8.26705 ON	4	AHB9996 (725-150)	£1.49
SR4449	RADIUS ARM - W/O BUSHES	BJ8.26705 ON	2		£31.35
SR4450	RADIUS ARM - C/W BUSHES	BJ8.26705 ON	2	AHB9985 (675-515)	£48.85
SR4451	TRAMP BAR KIT	BN2-BJ7	1	CSUR200K	£123.75
SR4452	REAR LOWERING KIT (APPROX 1IN)	BN1-BJ8	1		£31.71
SR4455	U-BOLT - WITH NUTS (EXTENDED 2IN)	BN1.221536-BJ8	4 OR 2		£2.69
SR4470	BUSH SET - PANHARD ROD (POLYBUSH BLACK)	BN1-BJ8.26704	1	USE SF4661	

SR

Trim Panels



TP4330
TP4331
TP4332

TP4360
TP4361
TP4362

TP4010
TP4011
TP4012



TP4040
TP4041
TP4042



TP4080
TP4081
TP4082



TP4100
TP4101
TP4102



TP4020
TP4021
TP4022



TP4050
TP4051
TP4052



TP4090
TP4091
TP4092



TP4110
TP4111
TP4112



TP4060
TP4061
TP4062



TP4120
TP4121
TP4122



TP4130
TP4131
TP4132



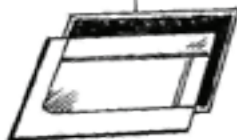
TP4140
TP4141
TP4142



TP4030
TP4031
TP4032



TP4070
TP4071
TP4072



TP4150
TP4151
TP4152

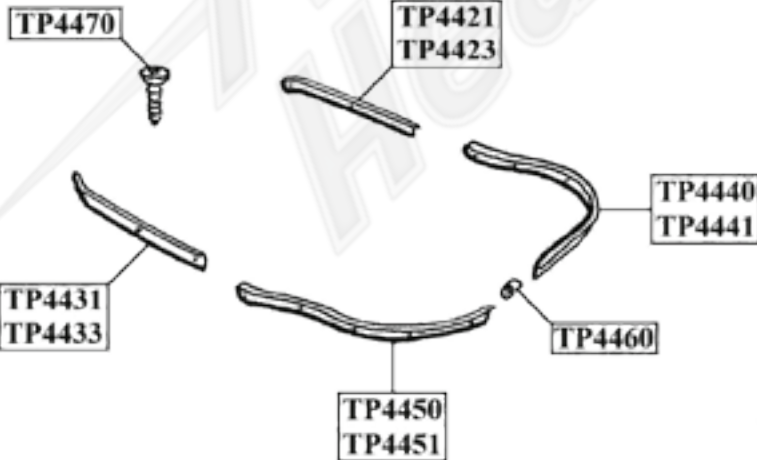
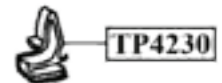
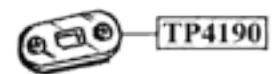
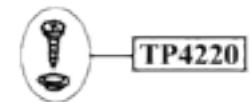
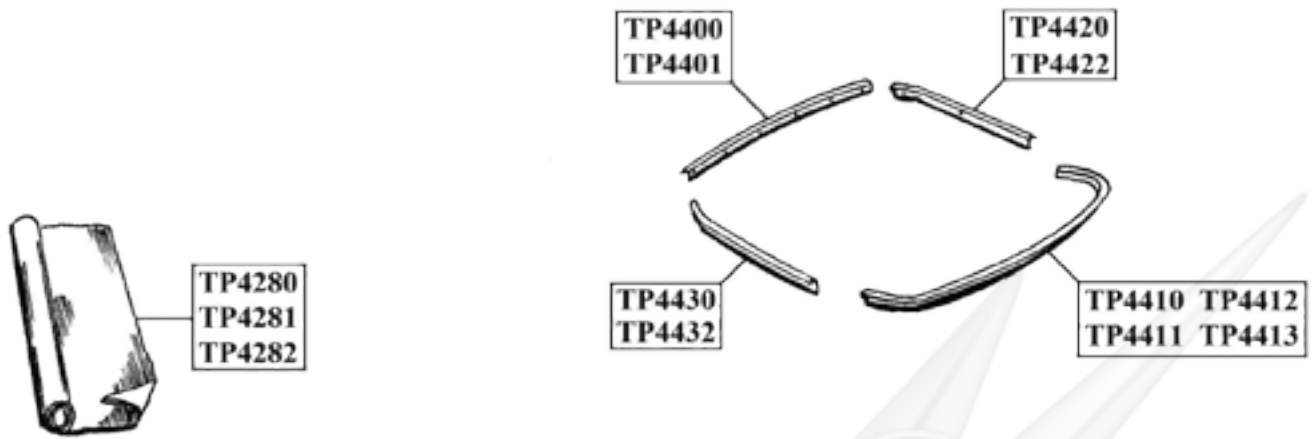


TP4160
TP4161
TP4162



TP4320
TP4321
TP4322

Trim Panels



TP

Trim Panels

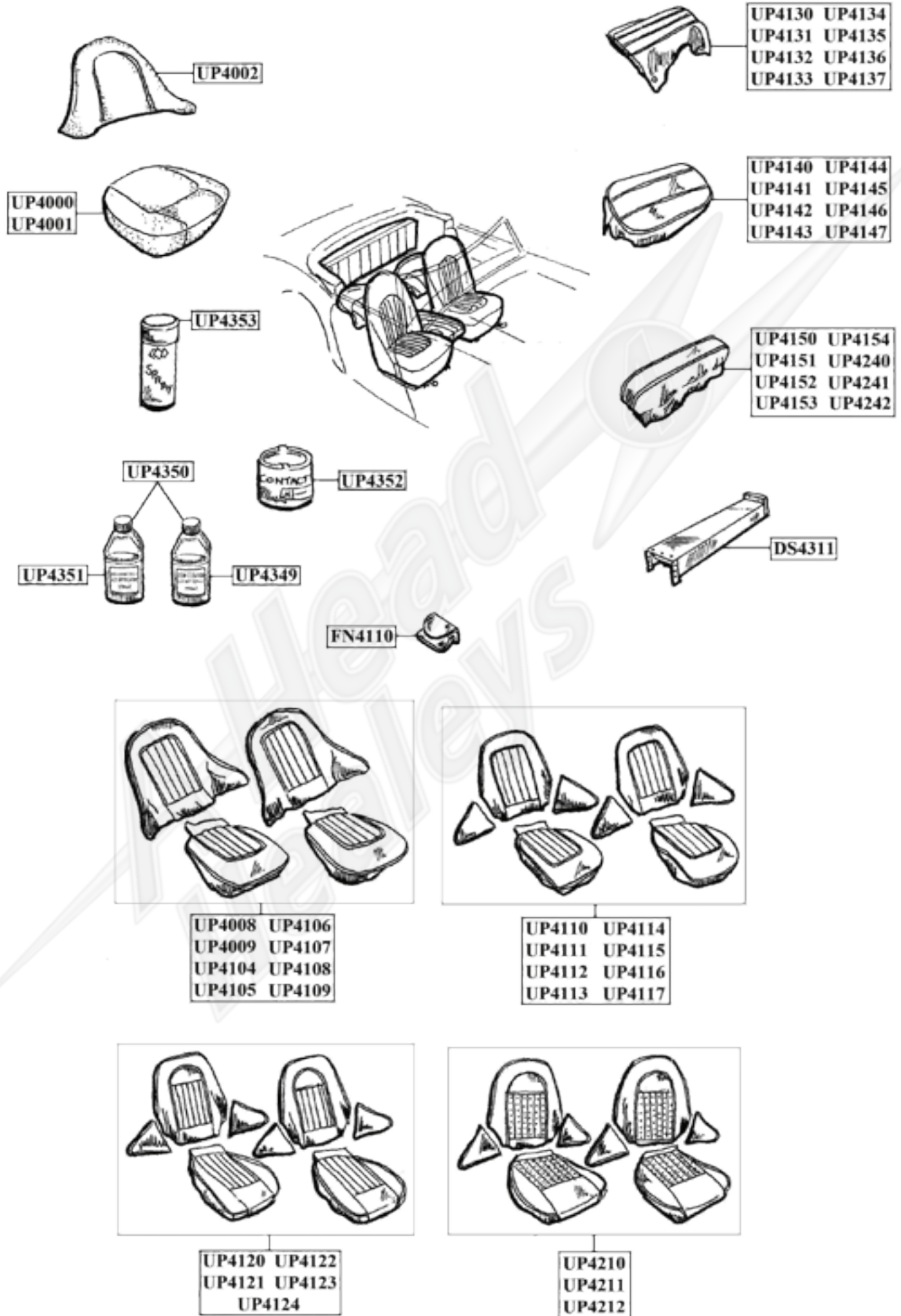
PART No	DESCRIPTION	APPLICATION	QTY	NOTES	PRICE
TP4010	FOOTWELL PANELS (PR) - BLACK	BN1-BN2	1		£29.43
TP4011	FOOTWELL PANELS (PR) - BLUE	BN1-BN2	1		£29.43
TP4012	FOOTWELL PANELS (PR) - RED	BN1-BN2	1		£29.43
TP4020	FOOTWELL PANELS (PR) - BLACK	BN4-BJ7	1		£27.78
TP4021	FOOTWELL PANELS (PR) - BLUE	BN4-BJ7	1		£27.78
TP4022	FOOTWELL PANELS (PR) - RED	BN4-BJ7	1		£27.78
TP4030	FOOTWELL PANELS (PR) - BLACK	BJ8	1	AHB6269	£31.35
TP4031	FOOTWELL PANELS (PR) - BLUE	BJ8	1	AHB6270	£31.35
TP4032	FOOTWELL PANELS (PR) - RED	BJ8	1	AHB6267	£31.35
TP4040	DOOR TRIM PANELS (PR) - BLACK	BN1-BN2	1		£98.45
TP4041	DOOR TRIM PANELS (PR) - BLUE	BN1-BN2	1		£98.45
TP4042	DOOR TRIM PANELS (PR) - RED	BN1-BN2	1		£98.45
TP4050	DOOR TRIM PANELS (PR) - BLACK	BN4-BN7 & BT7	1		£89.49
TP4051	DOOR TRIM PANELS (PR) - BLUE	BN4-BN7 & BT7	1		£89.49
TP4052	DOOR TRIM PANELS (PR) - RED	BN4-BN7 & BT7	1		£89.49
TP4060	DOOR TRIM PANELS (PR) - BLACK	BJ7	1		£142.95
TP4061	DOOR TRIM PANELS (PR) - BLUE	BJ7	1		£142.95
TP4062	DOOR TRIM PANELS (PR) - RED	BJ7	1		£142.95
TP4070	DOOR TRIM PANELS (PR) - BLACK	BJ8	1	AHB6235	£96.25
TP4071	DOOR TRIM PANELS (PR) - BLUE	BJ8	1	AHB6234	£96.25
TP4072	DOOR TRIM PANELS (PR) - RED	BJ8	1	AHB6233	£96.25
TP4080	LINER ASSY. - DOOR PANELS - BLACK	BN1-BN2	1		£25.85
TP4081	LINER ASSY. - DOOR PANELS - BLUE	BN1-BN2	1		£25.85
TP4082	LINER ASSY. - DOOR PANELS - RED	BN1-BN2	1		£25.85
TP4090	LINER ASSY. - DOOR PANELS - BLACK	BN4-BN7 & BT7	1		£86.35
TP4091	LINER ASSY. - DOOR PANELS - BLUE	BN4-BN7 & BT7	1		£86.35
TP4092	LINER ASSY. - DOOR PANELS - RED	BN4-BN7 & BT7	1		£86.35
TP4100	REAR QUARTER PANELS (PR) - BLACK	BN1-BN2	1		£19.75
TP4101	REAR QUARTER PANELS (PR) - BLUE	BN1-BN2	1		£19.75
TP4102	REAR QUARTER PANELS (PR) - RED	BN1-BN2	1		£19.75
TP4110	REAR QUARTER PANELS (PR) - BLACK	BN4-BN4.68959	1		£41.53
TP4111	REAR QUARTER PANELS (PR) - BLUE	BN4-BN4.68959	1		£41.53
TP4112	REAR QUARTER PANELS (PR) - RED	BN4-BN4.68959	1		£41.53
TP4113	WHEEL ARCH COVER (PR) - BLACK	BN4-BN4.68959	1		£28.05
TP4114	WHEEL ARCH COVER (PR) - BLUE	BN4-BN4.68959	1		£28.05
TP4115	WHEEL ARCH COVER (PR) - RED	BN4-BN4.68959	1		£28.05
TP4120	REAR QUARTER PANELS (PR) - BLACK (WOOL CARPET)	BN4.68960-BT7	1	AHB8849	£127.05
TP4121	REAR QUARTER PANELS (PR) - BLUE (WOOL CARPET)	BN4.68960-BT7	1	AHB8448	£127.05
TP4122	REAR QUARTER PANELS (PR) - RED (WOOL CARPET)	BN4.68960-BT7	1	AHB8447	£127.05
TP4130	REAR QUARTER PANELS (SET OF 4) - BLACK	BN6&BN7	1		£208.45
TP4131	REAR QUARTER PANELS (SET OF 4) - BLUE	BN6&BN7	1		£208.45
TP4132	REAR QUARTER PANELS (SET OF 4) - RED	BN6&BN7	1		£208.45
TP4140	REAR QUARTER PANELS (PR) - BLACK	BJ7	1	AHB9704	£136.83
TP4141	REAR QUARTER PANELS (PR) - BLUE	BJ7	1	AHB9703	£136.83
TP4142	REAR QUARTER PANELS (PR) - RED	BJ7	1	AHB9702	£136.83
TP4150	REAR QUARTER PANELS (PR) - BLACK	BJ8-BJ8.26704	1	AHB6290	£136.50

Trim Panels

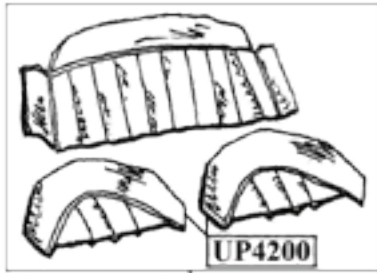
PART №	DESCRIPTION	APPLICATION	QTY	NOTES	PRICE
TP4151	REAR QUARTER PANELS (PR) - BLUE	BJ8-BJ8.26704	1	AHB6289	£136.75
TP4152	REAR QUARTER PANELS (PR) - RED	BJ8-BJ8.26704	1	AHB6288	£136.75
TP4160	REAR QUARTER PANELS (PR) - BLACK	BJ8.26705 ON	1	AHB6996	£137.75
TP4161	REAR QUARTER PANELS (PR) - BLUE	BJ8.26705 ON	1	AHB6995	£136.75
TP4162	REAR QUARTER PANELS (PR) - RED	BJ8.26705 ON	1	AHB6994	£148.71
TP4190	CHROME PLATE - PARCEL SHELF BOLT	BJ8	2		£10.10
TP4220	SCREW & CUP WASHER - TRIM PANEL - 1/2IN	BN1-BT7	AR		£0.23
TP4221	SCREW & CUP WASHER - TRIM PANEL - 3/4IN	BN1-BT7	AR		£0.25
TP4230	CLIP - DOOR PANEL	BJ8	18	ADA1874	£0.28
TP4280	VINYL (PER METRE) - BLACK	BN1-BJ8	AR		£14.55
TP4281	VINYL (PER METRE) - BLUE	BN1-BJ8	AR		£14.55
TP4282	VINYL (PER METRE) - RED	BN1-BJ8	AR		£14.55
TP4320	HOOD STOWAGE STRAP (PR) - BLACK	BN6&BN7	1	AHB5527	£36.22
TP4321	HOOD STOWAGE STRAP (PR) - BLUE	BN6&BN7	1	AHB5526	£36.22
TP4322	HOOD STOWAGE STRAP (PR) - RED	BN6&BN7	1	4B5143	£36.22
TP4330	HOOD STOWAGE BOX ASSY. (PR) - BLACK	BN6&BN7	1	AHB5519	£69.93
TP4331	HOOD STOWAGE BOX ASSY. (PR) - BLUE	BN6&BN7	1	AHB5518	£69.93
TP4332	HOOD STOWAGE BOX ASSY. (PR) - RED	BN6&BN7	1	4B5139	£69.93
TP4360	PADDED DOOR ROLL (PR) - BLACK	BJ8	1	AHB6346	£51.25
TP4361	PADDED DOOR ROLL (PR) - BLUE	BJ8	1		£51.25
TP4362	PADDED DOOR ROLL (PR) - RED	BJ8	1		£51.25
TP4400	COCKPIT MOULDING-FRONT (RECON. EXCHANGE)	BN1-BN2	1	14B1709	£24.00
TP4401	COCKPIT MOULDING-FRONT (NEW)	BN1-BN2	1	(804-900)	£48.00
TP4410	COCKPIT MOULDING-REAR (RECON. EXCHANGE)	BN1-BN2	1	14B1710	£30.00
TP4411	COCKPIT MOULDING-REAR (RECON. EXCHANGE)	BN6&BN7 (2 SEATER)	1	24B774	£90.00
TP4412	COCKPIT MOULDING-REAR (NEW)	BN1-BN2	1	(804-910)	£52.50
TP4413	COCKPIT MOULDING-REAR (NEW)	BN6&BN7 (2 SEATER)	1		£43.50
TP4420	COCKPIT MOULDING-RH DOOR (RECON. EXCHANGE)	BN1-BN2	1	14B1711	£27.00
TP4421	COCKPIT MOULDING-RH DOOR (RECON. EXCHANGE)	BN4-BT7	1	14B5876	£27.00
TP4422	COCKPIT MOULDING-RH DOOR (NEW)	BN1-BN2	1		£30.50
TP4423	COCKPIT MOULDING-RH DOOR (NEW)	BN4-BT7	1		£27.00
TP4430	COCKPIT MOULDING-LH DOOR (RECON. EXCHANGE)	BN1-BN2	1	14B1712	£27.00
TP4431	COCKPIT MOULDING-LH DOOR (RECON. EXCHANGE)	BN4-BT7	1	14B5877	£27.00
TP4432	COCKPIT MOULDING-LH DOOR (NEW)	BN1-BN2	1		£30.50
TP4433	COCKPIT MOULDING-LH DOOR (NEW)	BN4-BT7	1		£27.00
TP4440	COCKPIT MOULDING-REAR RH (RECON. EXCHANGE)	BN4-BT7	1	14B8523	£32.00
TP4441	COCKPIT MOULDING-REAR RH (NEW)	BN4-BT7	1		£37.50
TP4450	COCKPIT MOULDING-REAR LH (RECON. EXCHANGE)	BN4-BT7	1	14B8524	£34.00
TP4451	COCKPIT MOULDING-REAR LH (NEW)	BN4-BT7	1		£37.50
TP4460	COCKPIT MOULDING (REAR/CENTRE)	BN4-BT7	1	14B8525 (804-980)	£5.50
TP4470	SELF TAPPING SCREW-DOOR CAPPING - CHROME	BN1-BT7	AR	RTP806	£0.40
TP4471	CUP WASHER - REAR SEAT PAN SCREW	BN4-BJ7	8	6K9062	£0.30
TP4480	STORAGE POCKET - NET TYPE	BN1-BJ8	1	RALLY 06	£39.33

TP

Upholstery

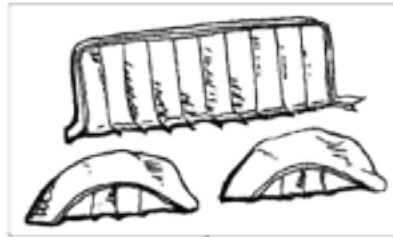


Upholstery



UP4200

- UP4170 UP4174
- UP4171 UP4175
- UP4172 UP4176
- UP4173 UP4177



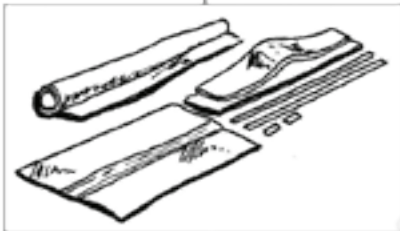
- UP4180 UP4184
- UP4181 UP4185
- UP4182 UP4186
- UP4183 UP4187



UP4205

- UP4190 UP4192
- UP4191 UP4193
- UP4194

- UP4354
- UP4355
- UP4356



UP4342



UP4273

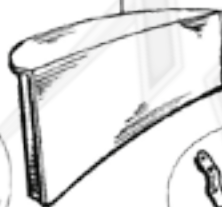


- UP4250
- UP4251
- UP4252



UP4348

- UP4245
- UP4258



UP4345

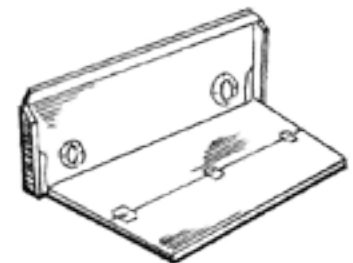


UP4259

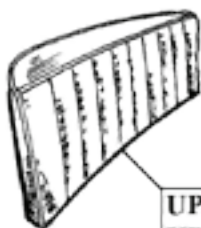
UP4263



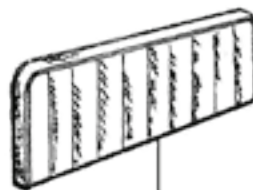
UP4346



UP4269



- UP4246 UP4255
- UP4247 UP4256
- UP4248 UP4257



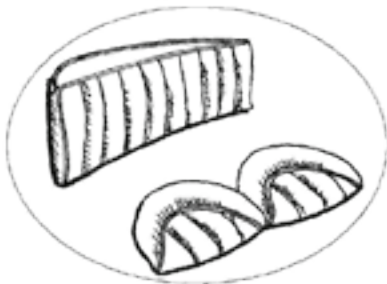
- UP4260
- UP4261
- UP4262



- UP4270
- UP4271
- UP4272

UP

Upholstery

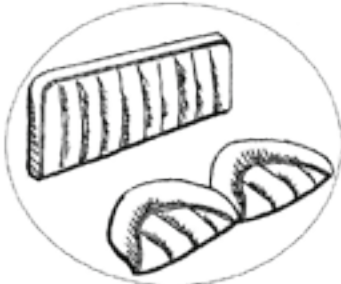


UP4300 UP4305
UP4301 UP4306
UP4302 UP4307

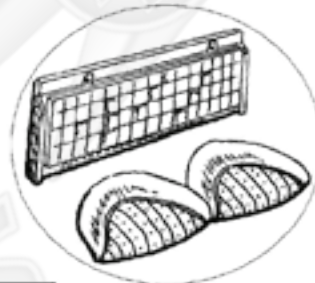
UP4275
UP4276
UP4277



UP4320 UP4325
UP4321 UP4326
UP4322 UP4327



UP4310 UP4315
UP4311 UP4316
UP4312 UP4317



UP4280
UP4281
UP4282



UP4290
UP4291
UP4292



Upholstery

PART №	DESCRIPTION	APPLICATION	QTY	NOTES	PRICE
UP4000	FOAM SEAT CUSHION - RH	BN1-BJ8	1		£24.96
UP4001	FOAM SEAT CUSHION - LH	BN1-BJ8	1		£24.96
UP4002	FOAM SEAT SQUAB	BN1-BJ8	2		£24.96
UP4008	FRONT SEAT COVER SET - RED/WHITE	BN1-BN4	1		£422.40
UP4009	FRONT SEAT COVER SET - RED/BLACK	BN1-BN4	1		£422.40
UP4104	FRONT SEAT COVER SET - BLACK/BLACK	BN1-BN4	1		£422.40
UP4105	FRONT SEAT COVER SET - BLACK/WHITE	BN1-BN4	1		£422.40
UP4106	FRONT SEAT COVER SET - BLUE/WHITE	BN1-BN4	1		£422.40
UP4107	FRONT SEAT COVER SET - RED/RED	BN1-BN4	1		£422.40
UP4108	FRONT SEAT COVER SET - BLUE/BLUE	BN1-BN4	1		£422.40
UP4109	FRONT SEAT COVER SET - BLACK/RED	BN1-BN4	1		£422.40
UP4110	FRONT SEAT COVER SET - BLACK/BLACK	BN6-BJ7	1		£422.40
UP4111	FRONT SEAT COVER SET - BLUE/BLUE	BN6-BJ7	1		£422.40
UP4112	FRONT SEAT COVER SET - RED/RED	BN6-BJ7	1		£422.40
UP4113	FRONT SEAT COVER SET - BLACK/RED	BN6-BJ7	1		£422.40
UP4114	FRONT SEAT COVER SET - BLUE/WHITE	BN6-BJ7	1		£422.40
UP4115	FRONT SEAT COVER SET - RED/WHITE	BN6-BJ7	1		£422.40
UP4116	FRONT SEAT COVER SET - RED/BLACK	BN6-BJ7	1		£422.40
UP4117	FRONT SEAT COVER SET - BLACK/WHITE	BN6-BJ7	1		£422.40
UP4120	FRONT SEAT COVER SET - BLACK/BLACK	BJ8	1		£422.40
UP4121	FRONT SEAT COVER SET - BLUE/BLUE	BJ8	1		£422.40
UP4122	FRONT SEAT COVER SET - RED/RED	BJ8	1		£422.40
UP4123	FRONT SEAT COVER SET - BLACK/RED	BJ8	1		£422.40
UP4124	FRONT SEAT COVER SET - BLUE/WHITE	BJ8	1		£422.40
UP4130	ARMREST - BLACK/WHITE	BN1-BN4	1		£103.35
UP4131	ARMREST - BLUE/WHITE	BN1-BN4	1		£103.35
UP4132	ARMREST - RED/RED	BN1-BN4	1		£103.35
UP4133	ARMREST - BLUE/BLUE	BN1-BN4	1		£103.35
UP4134	ARMREST - RED/WHITE	BN1-BN4	1		£103.35
UP4135	ARMREST - RED/BLACK	BN1-BN4	1		£102.31
UP4136	ARMREST - BLACK/RED	BN1-BN4	1		£102.31
UP4137	ARMREST - BLACK/BLACK	BN1-BN4	1		£102.31
UP4140	ARMREST - BLACK/BLACK	BN6-BJ7	1		£48.35
UP4141	ARMREST - BLUE/BLUE	BN6-BJ7	1		£48.35
UP4142	ARMREST - RED/RED	BN6-BJ7	1		£48.35
UP4143	ARMREST - BLACK/RED	BN6-BJ7	1		£48.35
UP4144	ARMREST - BLUE/WHITE	BN6-BJ7	1		£48.35
UP4145	ARMREST - RED/WHITE	BN6-BJ7	1		£48.35
UP4146	ARMREST - RED/BLACK	BN6-BJ7	1		£48.35
UP4147	ARMREST - BLACK/WHITE	BN6-BJ7	1		£48.35
UP4150	ARMREST FIXED - BLACK/BLACK (LEATHER)	BJ8	1		£41.75
UP4151	ARMREST FIXED - BLUE/BLUE (LEATHER)	BJ8	1		£41.75
UP4152	ARMREST FIXED - RED/RED (LEATHER)	BJ8	1		£41.75
UP4153	ARMREST FIXED - BLACK/RED (LEATHER)	BJ8	1		£41.75
UP4154	ARMREST FIXED - BLUE/WHITE (LEATHER)	BJ8	1		£41.75
UP4160	REAR SEAT COVER SET - BLACK/BLACK	BN4-BN4.68959	1		£252.95
UP4161	REAR SEAT COVER SET - BLUE/BLUE	BN4-BN4.68959	1		£252.95

UP

Upholstery

PART No	DESCRIPTION	APPLICATION	QTY	NOTES	PRICE
UP4162	REAR SEAT COVER SET - RED/RED	BN4-BN4.68959	1		£252.95
UP4163	REAR SEAT COVER SET - BLACK/RED	BN4-BN4.68959	1		£252.95
UP4164	REAR SEAT COVER SET - BLUE/WHITE	BN4-BN4.68959	1		£252.95
UP4165	REAR SEAT COVER SET - RED/WHITE	BN4-BN4.68959	1		£252.95
UP4166	REAR SEAT COVER SET - RED/BLACK	BN4-BN4.68959	1		£252.95
UP4167	REAR SEAT COVER SET - BLACK/WHITE	BN4-BN4.68959	1		£252.95
UP4170	REAR SEAT COVER SET - BLACK/BLACK	BN4.68961-BT7	1		£252.95
UP4171	REAR SEAT COVER SET - BLUE/BLUE	BN4.68961-BT7	1		£252.95
UP4172	REAR SEAT COVER SET - RED/RED	BN4.68961-BT7	1		£252.95
UP4173	REAR SEAT COVER SET - BLACK/RED	BN4.68961-BT7	1		£252.95
UP4174	REAR SEAT COVER SET - BLUE/WHITE	BN4.68961-BT7	1		£252.95
UP4175	REAR SEAT COVER SET - RED/WHITE	BN4.68961-BT7	1		£252.95
UP4176	REAR SEAT COVER SET - RED/BLACK	BN4.68961-BT7	1		£252.95
UP4177	REAR SEAT COVER SET - BLACK/WHITE	BN4.68961-BT7	1		£252.95
UP4180	REAR SEAT COVER SET - BLACK/BLACK	BJ7	1		£252.95
UP4181	REAR SEAT COVER SET - BLUE/BLUE	BJ7	1		£252.95
UP4182	REAR SEAT COVER SET - RED/RED	BJ7	1		£252.95
UP4183	REAR SEAT COVER SET - BLACK/RED	BJ7	1		£252.95
UP4184	REAR SEAT COVER SET - BLUE/WHITE	BJ7	1		£252.95
UP4185	REAR SEAT COVER SET - RED/WHITE	BJ7	1		£252.95
UP4186	REAR SEAT COVER SET - RED/BLACK	BJ7	1		£252.45
UP4187	REAR SEAT COVER SET - BLACK/WHITE	BJ7	1		£252.45
UP4190	REAR SEAT COVER SET - BLACK/BLACK	BJ8	1		£252.95
UP4191	REAR SEAT COVER SET - BLUE/BLUE	BJ8	1		£252.95
UP4192	REAR SEAT COVER SET - RED/RED	BJ8	1		£252.95
UP4193	REAR SEAT COVER SET - BLACK/RED	BJ8	1		£252.95
UP4194	REAR SEAT COVER SET - BLUE/WHITE	BJ8	1		£252.95
UP4200	REAR SEAT PAN COVERS - BLACK/BLACK (PAIR)	BN4.68961-BT7	1		£147.40
UP4205	REAR SEAT PAN COVERS - BLUE/BLUE (PAIR)	BJ8	1		£147.40
UP4210	FRONT SEAT COVER SET - BLACK/SILVER (VINYL)	BJ8	1	(247-450)	£279.11
UP4211	FRONT SEAT COVER SET - BLUE/SILVER (VINYL)	BJ8	1	(247-490)	£279.11
UP4212	FRONT SEAT COVER SET - RED/SILVER (VINYL)	BJ8	1	(247-470)	£279.11
UP4240	ARMREST FIXED - BLACK/SILVER (VINYL)	BJ8	1	(247-800)	£37.29
UP4241	ARMREST FIXED - BLUE/SILVER (VINYL)	BJ8	1	(247-820)	£37.29
UP4242	ARMREST FIXED - RED/SILVER (VINYL)	BJ8	1	(247-810)	£37.29
UP4245	BACK PANEL - UNTRIMMED	BN4-BN4.68959	1		£79.25
UP4246	TRIMMED BACK PANEL - BLACK/BLACK	BN4-BN4.68959	1		£296.45
UP4247	TRIMMED BACK PANEL - BLUE/BLUE	BN4-BN4.68959	1		£296.45
UP4248	TRIMMED BACK PANEL - RED/RED	BN4-BN4.68959	1		£296.45
UP4250	REAR SEAT COVER SET - BLACK/SILVER (VINYL)	BJ8	1	(247-590)	£254.40
UP4251	REAR SEAT COVER SET - BLUE/SILVER (VINYL)	BJ8	1	(247-630)	£234.95
UP4252	REAR SEAT COVER SET - RED/SILVER (VINYL)	BJ8	1	(247-610)	£219.12
UP4255	TRIMMED BACK PANEL - BLACK/BLACK	BN4.68960-BT7	1		£296.45
UP4256	TRIMMED BACK PANEL - BLUE/BLUE	BN4.68960-BT7	1		£296.45
UP4257	TRIMMED BACK PANEL - RED/RED	BN4.68960-BT7	1		£296.45
UP4258	BACK PANEL - UNTRIMMED	BN4.68960-BT7	1		£79.25
UP4259	FIXING BRACKET SET - BACK PANEL	BN4.68960-BT7	1	(805-070)	£23.50

Upholstery

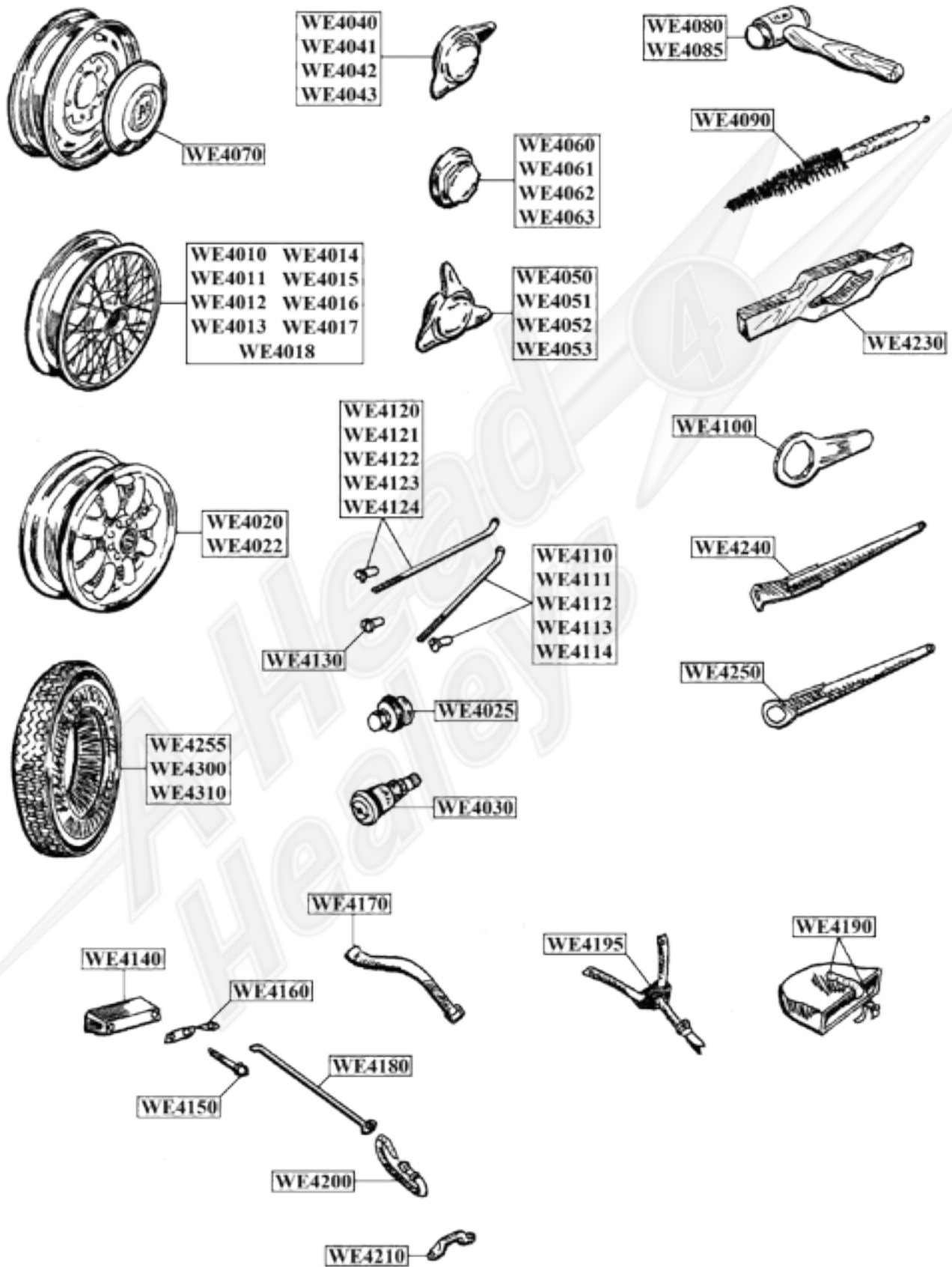
PART №	DESCRIPTION	APPLICATION	QTY	NOTES	PRICE
UP4260	TRIMMED BACK PANEL - BLACK/BLACK	BJ7	1		£233.75
UP4261	TRIMMED BACK PANEL - BLUE/BLUE	BJ7	1		£233.75
UP4262	TRIMMED BACK PANEL - RED/RED	BJ7	1		£233.75
UP4263	BACK PANEL - UNTRIMMED	BJ7	1		£24.50
UP4269	BACK PANEL ASSY. - UNTRIMMED (WITH CHROME HINGES)	BJ8	1	(856-460)	£205.00
UP4270	TRIMMED BACK PANEL ASSY. - BLACK/BLACK (EXCL. BOLTS)	BJ8	1		£668.75
UP4271	TRIMMED BACK PANEL ASSY. - BLUE/BLUE (EXCL. BOLTS)	BJ8	1		£668.75
UP4272	TRIMMED BACK PANEL ASSY. - RED/RED (EXCL. BOLTS)	BJ8	1		£668.75
UP4273	PLATE - PARCEL SHELF ASSY.	BJ8	2	(856-465)	£5.85
UP4274	UPHOLSTERED FRONT SEATS (PR)	100S	1		£1,754.50
UP4275	UPHOLSTERED FRONT SEATS (PR) - BLACK/BLACK	BN1-BN4	1		£1,044.95
UP4276	UPHOLSTERED FRONT SEATS (PR) - BLUE/BLUE	BN1-BN4	1		£1,044.95
UP4277	UPHOLSTERED FRONT SEATS (PR) - RED/RED	BN1-BN4	1		£1,044.95
UP4280	UPHOLSTERED FRONT SEATS (PR) - BLACK/BLACK	BN6-BJ7	1		£1,044.95
UP4281	UPHOLSTERED FRONT SEATS (PR) - BLUE/BLUE	BN6-BJ7	1		£1,044.95
UP4282	UPHOLSTERED FRONT SEATS (PR) - RED/RED	BN6-BJ7	1		£1,044.95
UP4290	UPHOLSTERED FRONT SEATS (PR) - BLACK/BLACK	BJ8	1		£1,044.95
UP4291	UPHOLSTERED FRONT SEATS (PR) - BLUE/BLUE	BJ8	1		£1,044.95
UP4292	UPHOLSTERED FRONT SEATS (PR) - RED/RED	BJ8	1		£1,044.95
UP4300	UPHOLSTERED REAR SEATS (PR) INCL. B/REST COVER - BLACK/BLACK	BN4-BT7	1		£481.88
UP4301	UPHOLSTERED REAR SEATS (PR) INCL. B/REST COVER - BLUE/BLUE	BN4-BT7	1		£481.88
UP4302	UPHOLSTERED REAR SEATS (PR) INCL. B/REST COVER - RED/RED	BN4-BT7	1		£481.88
UP4305	UPHOLSTERED REAR SEATS (PR) INCL. UPH. B/REST - BLACK/BLACK	BN4-BT7	1		£598.40
UP4306	UPHOLSTERED REAR SEATS (PR) INCL. UPH. B/REST - BLUE	BN4-BT7	1		£598.40
UP4307	UPHOLSTERED REAR SEATS (PR) INCL. UPH. B/REST - RED	BN4-BT7	1		£598.40
UP4310	UPHOLSTERED REAR SEATS (PR) INCL. B/REST COVER - BLACK/BLACK	BJ7	1		£473.72
UP4311	UPHOLSTERED REAR SEATS (PR) INCL. B/REST COVER - BLUE/BLUE	BJ7	1		£473.72
UP4312	UPHOLSTERED REAR SEATS (PR) INCL. B/REST COVER - RED/RED	BJ7	1		£473.72
UP4315	UPHOLSTERED REAR SEATS (PR) INCL. UPH. B/REST - BLACK/BLACK	BJ7	1		£571.73
UP4316	UPHOLSTERED REAR SEATS (PR) INCL. UPH. B/REST - BLUE/BLUE	BJ7	1		£571.73
UP4317	UPHOLSTERED REAR SEATS (PR) INCL. UPH. B/REST - RED/RED	BJ7	1		£571.73
UP4320	UPHOLSTERED REAR SEATS (PR) INCL. B/REST COVER - BLACK/BLACK	BJ8	1		£473.72
UP4321	UPHOLSTERED REAR SEATS (PR) INCL. B/REST COVER - BLUE/BLUE	BJ8	1		£473.72
UP4322	UPHOLSTERED REAR SEATS (PR) INCL. B/REST COVER - RED/RED	BJ8	1		£473.72
UP4325	UPHOLSTERED REAR SEATS (PR) INCL. UPH. B/REST - BLACK/BLACK	BJ8	1		£1,119.00

UP

Upholstery

PART №	DESCRIPTION	APPLICATION	QTY	NOTES	PRICE
UP4326	UPHOLSTERED REAR SEATS (PR) INCL. UPH. B/REST - BLUE/BLUE	BJ8	1		£1,119.00
UP4327	UPHOLSTERED REAR SEATS (PR) INCL. UPH. B/REST - RED/RED	BJ8	1		£1,119.00
UP4342	HINGE SET - BACK PANEL	BJ8	1	AHB6091/2 (856-398)	£49.00
UP4345	BRACKET (PR) - REAR SQUAB FIXING	BN4 & BT7	1	4B8380 (805-045)	£16.50
UP4346	BRACKET (PR) - REAR SQUAB FIXING	BJ7	1	AHB9554 (805-055/065)	£19.25
UP4348	SLIDE BOLT - REAR BACK PANEL	BJ8	2	AHB6093 (805-040)	£28.50
UP4349	HIDE CLEANER - GLIPTONE 250ML	BN1-BJ8	1		£6.75
UP4350	HIDE FOOD - 11OZ	BN1-BJ8	1		£9.25
UP4351	HIDE CONDITIONER - GLIPTONE (25ML)	BN1-BJ8	1		£6.95
UP4352	CONTACT ADHESIVE - TRIM (1 LITRE)	BN1-BJ8	AR		£16.55
UP4353	AEROSOL SPRAY GLUE - HEAVY DUTY	BN1-BJ8	AR		£9.24
UP4354	REAR PARCEL SHELF TRIM KIT - BLACK	BJ8	1		£72.05
UP4355	REAR PARCEL SHELF TRIM KIT - BLUE/BLUE	BJ8	1		£72.05
UP4356	REAR PARCEL SHELF TRIM KIT - RED	BJ8	1		£72.05
UP5000	SEAT ALTERATIONS & WELDING (PER SEAT)	100S	2		£240.00
UP5001	COVERS & UPHOLSTERY CHARGE-INC.MATERIALS	100S	1		£750.00

Wheels



WE

Wheels

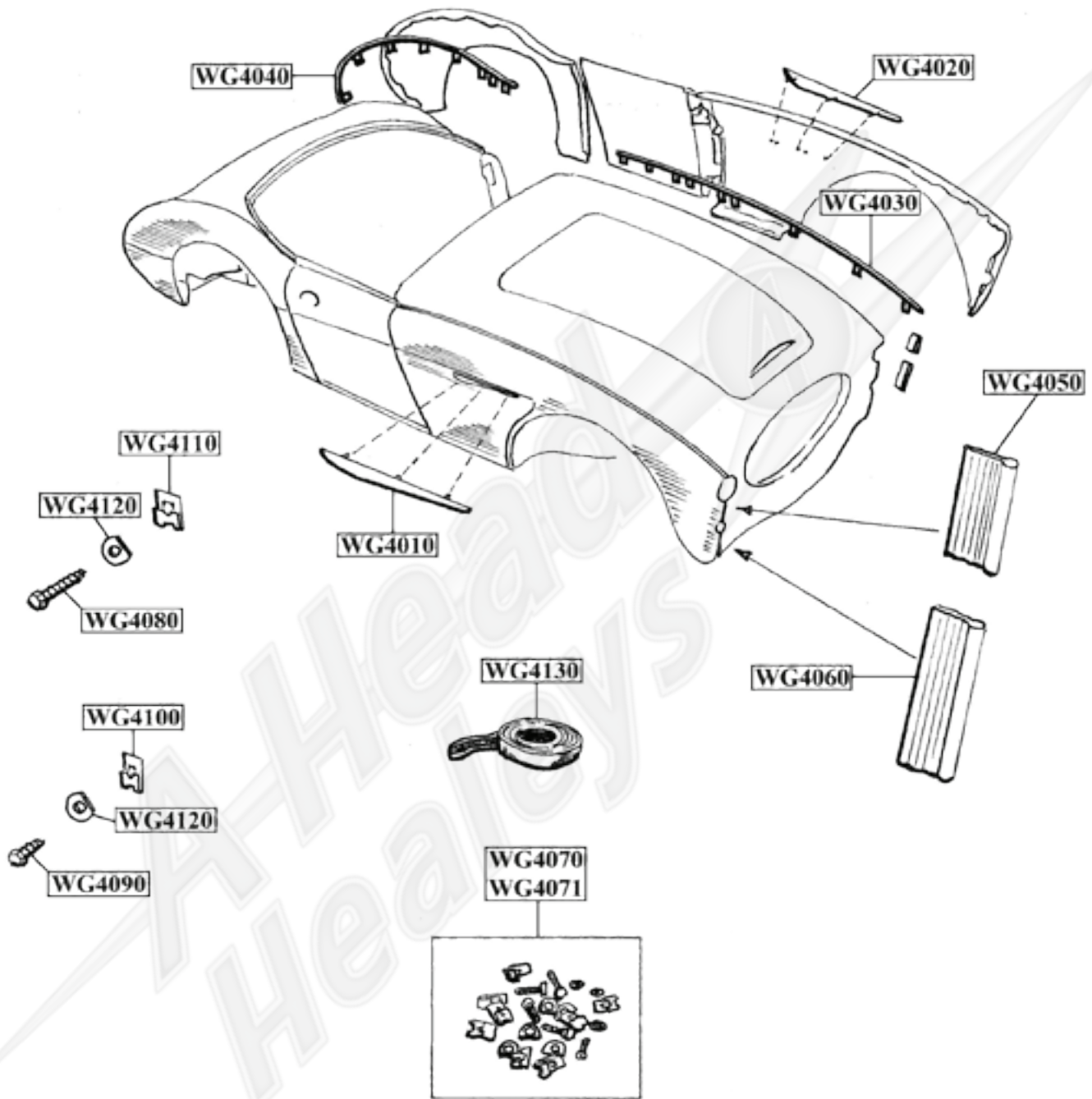
PART No	DESCRIPTION	APPLICATION	QTY	NOTES	PRICE
WE4010	WIRE WHEEL - 48 SPOKE - PAINTED	BN1-BJ7.24366	4	1B8048 (454-610)	£144.15
WE4011	WIRE WHEEL - 48 SPOKE - CHROME	BN1-BJ7.24366	4	1B8048C (454-615)	£197.50
WE4012	WIRE WHEEL - 60 SPOKE - PAINTED	BN2-BJ8	4	AHH8001 (454-620)	£145.85
WE4013	WIRE WHEEL - 60 SPOKE - CHROME	BN2-BJ8	4	AHH8001C (454-630)	£195.80
WE4014	WIRE WHEEL - 72 SPOKE - PAINTED (5IN)	BN1-BJ8	4		£178.70
WE4015	WIRE WHEEL - 72 SPOKE - CHROME (5IN)	BN1-BJ8	4		£253.76
WE4016	WIRE WHEEL - 72 SPOKE - PAINTED (5.5IN)	BN1-BJ8	4	(454-720)	£179.25
WE4017	WIRE WHEEL - 72 SPOKE - CHROME (5.5IN)	BN1-BJ8	4	(454-730)	£238.95
WE4018	WIRE WHEEL - 72 SPOKE PAINTED (4.5IN)	BN1-BJ8	AR	FIA APP	£166.80
WE4020	MINILITE 5.5IN - KNOCK OFF	BN1-BJ8	4	GAC8255X (455-385)	£201.20
WE4022	MINILITE 5.5IN - BOLT ON	BN4-BJ8	4 OR 5		£124.00
WE4025	NUT - WHEEL (ALUM. BOLT ON WHEEL)	BN4-BJ8	20		£2.50
WE4030	VALVE - MINILITE WHEEL	BN1-BJ8	4		£7.87
WE4040	2 EARED SPINNER - RH (12 TPI)	BN1-BJ8.26704	2	AHH7317 (200-290)	£26.05
WE4041	2 EARED SPINNER - LH (12 TPI)	BN1-BJ8.26704	2	AHH7318 (200-280)	£26.05
WE4042	2 EARED SPINNER - RH (8 TPI)	BJ8.26705 ON	2	AHA7373 (674-670)	£26.25
WE4043	2 EARED SPINNER - LH (8 TPI)	BJ8.26705 ON	2	AHA7374 (674-680)	£26.25
WE4050	3 EARED SPINNER - RH (12 TPI)	BN1-BJ8.26704	2	(200-325)	£49.97
WE4051	3 EARED SPINNER - LH (12 TPI)	BN1-BJ8.26704	2	(200-315)	£49.97
WE4052	3 EARED SPINNER - RH (8 TPI)	BJ8.26705 ON	2	(200-345)	£39.50
WE4053	3 EARED SPINNER - LH (8 TPI)	BJ8.26705 ON	2	(200-335)	£39.50
WE4060	CONTINENTAL SPINNER - RH (12 TPI)	BN1-BJ8.26704	2	AHH7315 (200-320)	£20.50
WE4061	CONTINENTAL SPINNER - LH (12 TPI)	BN1-BJ8.26704	2	AHH7316 (200-310)	£20.50
WE4062	CONTINENTAL SPINNER - RH (8 TPI)	BN1-BJ8.26704	2	AHA7375 (462-740)	£21.35
WE4063	CONTINENTAL SPINNER - LH (8 TPI)	BN1-BJ8.26704	2	AHA7376 (462-730)	£21.35
WE4070	HUB CAP - DISC WHEEL	BN4-BJ8	4	1G8084 (031-312)	£20.85
WE4078	WIRE WHEEL PAINT, AEROSOL - GREY	BN1-BJ8	AR	400ML	£10.59
WE4080	HAMMER - COPPER/HYDE	BN1-BJ8	AR	(386-110)	£21.72
WE4085	DEAD-BLOW HAMMER - 3LB (THOR)	BN1-BJ8	AR		£24.95
WE4090	WIRE WHEEL BRUSH	BN1-BJ8	AR	GAC4089 (386-940)	£5.50
WE4100	SPANNER - CONTINENTAL SPINNERS	BN1-BJ8	AR	AHH5839 (386-030)	£3.71
WE4110	SPOKE & NIPPLE - SHORT (48 SPOKE WHEELS)	BN1-BJ7.24366	AR	7H1806 (200-040)	£2.99
WE4111	SPOKE & NIPPLE - SHORT (60 SPOKE WHEELS)	BN2-BJ8	AR	17H8620 (200-060)	£2.99
WE4112	SPOKE & NIPPLE - SHORT (60 SPOKE WHEELS) CHROME	BN2-BJ8	AR	(200-062)	£5.38
WE4113	SPOKE & NIPPLE - SHORT (72 SPOKE WHEELS)	BN1-BJ8	AR		£2.80
WE4114	SPOKE & NIPPLE - SHORT (72 SPOKE WHEELS) CHROME	BN1-BJ8	AR		£5.99
WE4120	SPOKE & NIPPLE - LONG (48 SPOKE WHEELS)	BN1-BJ7.24366	AR	7H1805 (200-030)	£2.99
WE4121	SPOKE & NIPPLE - LONG (60 SPOKE WHEELS)	BN2-BJ8	AR	17H8619 (200-070)	£2.99
WE4122	SPOKE & NIPPLE - LONG (60 SPOKE WHEELS) CHROME	BN2-BJ8	AR	(200-072)	£5.75
WE4123	SPOKE & NIPPLE - LONG (72 SPOKE WHEELS)	BN1-BJ8	AR		£2.39
WE4124	SPOKE & NIPPLE - LONG (72 SPOKE WHEELS) CHROME	BN1-BJ8	AR		£5.99
WE4130	NIPPLE - SPOKE	BN1-BJ8	AR	7H1709 (200-050)	£0.79
WE4140	BLOCK RETAINING - SPARE WHEEL	ALL 4 SEATERS	2	4B3257 (221-640)	£8.50
WE4150	BOLT RETAINING - BLOCK	ALL 4 SEATERS	4	HBZ0422 (322-280)	£0.78

Wheels

PART №	DESCRIPTION	APPLICATION	QTY	NOTES	PRICE
WE4160	BRACKET RETAINING - SPARE WHEEL	ALL 4 SEATERS	1	14B6757 (221-665)	£6.35
WE4170	BAR RETAINING - SPARE WHEEL	BN1-BN2	1	4B1244 (221-655)	£17.95
WE4180	BAR RETAINING - SPARE WHEEL	ALL 4 SEATERS	1	14B6756 (221-650)	£13.50
WE4190	LEATHER STRAP - SPARE WHEEL	BN6-BN7	1	24B785/7	£38.65
WE4195	STRAP - SPARE WHEEL	100S	1		£95.00
WE4196	RETAINER - SPARE WHEEL (ALUM.)	100S	1		£58.85
WE4200	LEATHER STRAP - SPARE WHEEL	BN1-BN4,BT7 & BJ7-BJ8	1	14B6771 (221-630)	£16.80
WE4210	CHROME STAPLE - SPARE WHEEL	BN1-BJ8	1 OR 2	2K9579 (409-075)	£4.45
WE4230	WOODEN SPANNER - 2 EARED SPINNERS	BN1-BJ8	AR		£12.45
WE4240	LARGE SPANNER - 2 EARED SPINNERS	BN1-BJ8	1	(386-125)	£39.50
WE4250	LARGE SPANNER - CONTINENTAL TYPE	BN1-BJ8	AR	(386-120)	£34.15
WE4255	TYRE FITTING SERVICE	BN1-BJ8	4 OR 5	PER WHEEL	£20.00
WE4300	TYRE - 180 HR 15 XAS (MICHELIN)	BN1-BJ8	AR		£243.25
WE4310	TYRE - 185/70 HR15 89H (VREDESTEIN)	BN1-BJ8	AR		£153.95
WE4350	INNER TUBE - 15 (MICHELIN)	BN1-BJ8	4		£16.95

WE

Wing Fittings

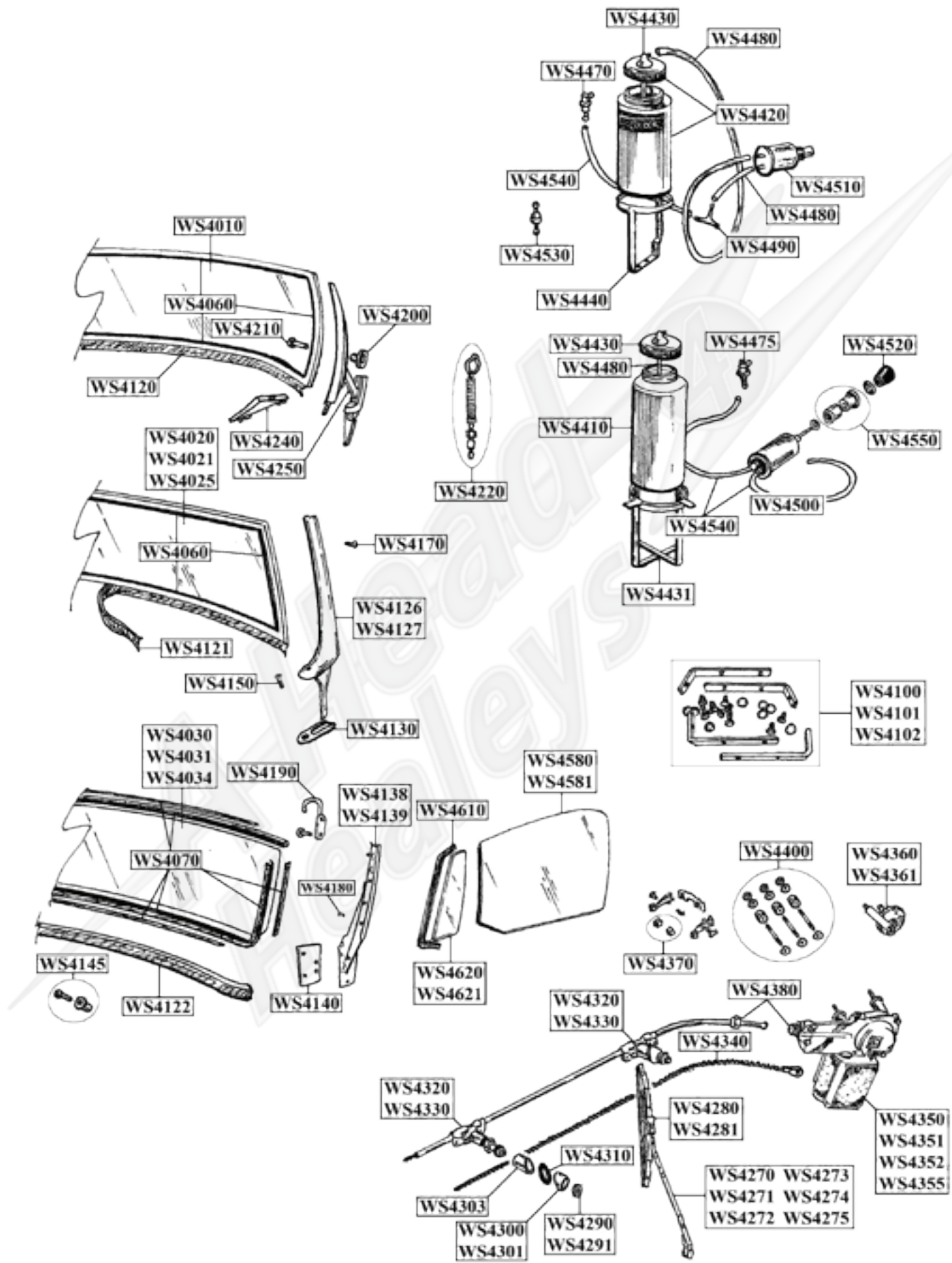


Wing Fittings

PART №	DESCRIPTION	APPLICATION	QTY	NOTES	PRICE
WG4010	FRONT WING FLASH - RH	BN1-BJ8	1	14B1727 (601-270)	£11.67
WG4020	FRONT WING FLASH - LH	BN1-BJ8	1	14B1728 (601-260)	£11.67
WG4030	WING BEADING - FRONT	BN1-BJ8	2	14B6729 (021-810)	£8.59
WG4035	WING BEADING - FRONT	100S	2	14B6729S	£9.95
WG4040	WING BEADING - REAR	BN1-BJ8	2	14B1708 (021-820)	£10.95
WG4050	WING BEADING - ABOVE SIDELAMP	BN1-BJ8	2	14B6824 (031-362)	£0.35
WG4060	WING BEADING - BELOW SIDELAMP	BN1-BJ8	2	14B6825 (806-070)	£0.40
WG4070	BOLT KIT - FRONT WING (PER WING)	BN1-BJ8	2	(321-868)	£5.47
WG4071	BOLT KIT - REAR WING (PER WING)	BN1-BJ8	2	(321-818)	£5.10
WG4080	WING BOLT - LONG	BN1-BJ8	AR	ABZ0407	£0.21
WG4090	WING BOLT - SHORT	BN1-BJ8	AR	ABZ0406	£0.18
WG4100	SPEED NUT - LARGE	BN1-BJ8	AR	6K9817	£0.21
WG4110	SPEED NUT - SMALL	BN1-BJ8	AR		£0.20
WG4120	D WASHER - FOR WING BOLT	BN1-BJ8	AR	2K9993	£0.32
WG4130	ANTI-CORROSION JOINT STRIP	BN1-BJ8	1	(858-205)	£25.15

WG

Windscreens & Glass



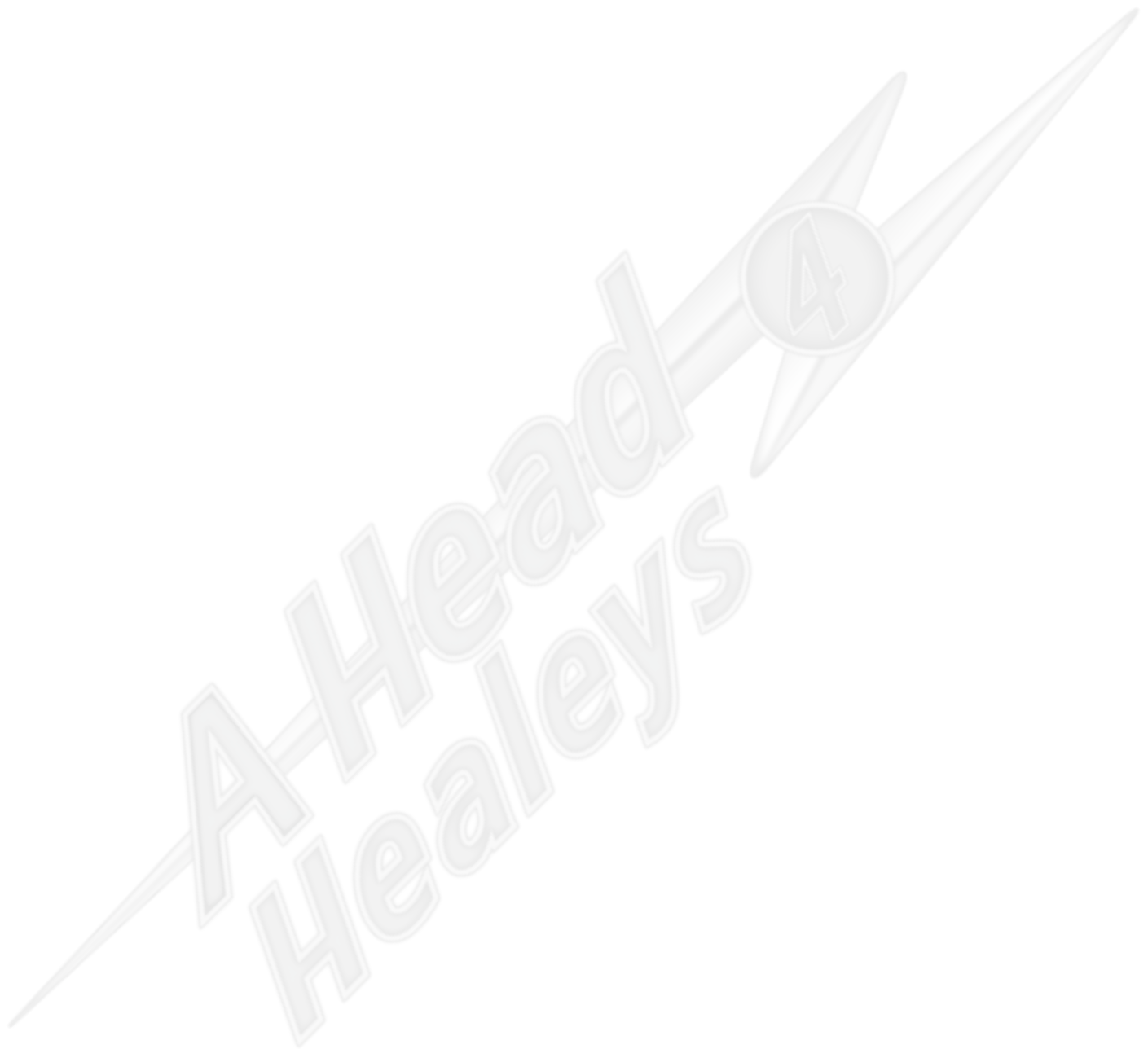
Windscreens & Glass

PART No	DESCRIPTION	APPLICATION	QTY	NOTES	PRICE
WS4010	SCREEN GLASS - TYNESIDE - UK MADE	BN1-BN2	1	14B1862 (021-830)	£84.81
WS4011	SCREEN GLASS - TYNESIDE (UK MADE) HEATED	BN1-BN2	1		£84.81
WS4016	PERSPEX WINDSCREEN KIT	100S	1		£389.50
WS4020	SCREEN GLASS	BN4-BN7 & BT7	1	14B5891 (021-840)	£72.50
WS4021	SCREEN GLASS - TYNESIDE - UK MADE	BN4-BT7	1		£84.81
WS4022	SCREEN GLASS - TYNESIDE - UK GREEN TINT	BN4-BT7	1		£97.50
WS4025	SCREEN GLASS - HEATED	BN4-BT7	1		£299.95
WS4030	SCREEN GLASS	BJ7-BJ8	1	AHB7188 (021-850)	£69.50
WS4031	SCREEN GLASS - TYNESIDE - UK MADE	BJ7-BJ8	1		£84.81
WS4032	SCREEN GLASS - TYNESIDE - UK GREEN TINT	BJ8	1		£136.57
WS4034	SCREEN GLASS - HEATED	BJ7-BJ8	1		£315.56
WS4060	GLAZING RUBBER	BN1-BT7	1	AHB5833 (682-210)	£13.75
WS4065	FILLER STRIP	BN4-BT7	1		£8.80
WS4070	GLAZING RUBBER KIT	BJ7-BJ8	1	AHB9786 (682-028)	£17.05
WS4100	BRACKET SET - FRAME (INCL. SCREWS)	BN1-BN2	1	(805-050)	£16.75
WS4101	BRACKET SET - FRAME (INCL. SCREWS)	BN4-BN7 & BT7	1	(805-060)	£15.65
WS4102	BRACKET SET - FRAME (INCL. SCREWS)	BJ7-BJ8	1	(031-413)	£21.78
WS4105	C/SUNK SCREW - SCREEN BRACKET	BN1-BT7	16		£0.20
WS4120	SEAL - FRAME TO BODY	BN1-BN2	1	14B3778 (280-725)	£25.90
WS4121	SEAL - FRAME TO BODY	BN4-BN7 & BT7	1	14B5892 (021-763)	£5.45
WS4122	SEAL - FRAME TO BODY	BJ7-BJ8	1	AHB9904 (021-764)	£8.95
WS4126	WINDSCREEN PILLAR - RH (USED)	BN4-BT7	1	14B5889	£145.00
WS4127	WINDSCREEN PILLAR - LH (USED)	BN4-BT7	1	14B5890	£145.00
WS4130	PAD - SCREEN PILLAR	BN4-BN7 & BT7	2	14B6743 (021-762)	£2.05
WS4138	WINDSCREEN PILLAR - R/H - (USED)	BJ7-BJ8	1	17H2816	£125.00
WS4139	WINDSCREEN PILLAR - L/H - (USED)	BJ7-BJ8	1	17H2817	£125.00
WS4140	PACKING PIECE - SCREEN PILLAR	BJ7-BJ8	AR	AHB9656 (031-416)	£2.99
WS4145	RUBBER NUT INC BOLT - SCREEN FRAME TO SCUT-TLE	BJ7-BJ8	1		£3.95
WS4150	SCREW - PILLAR TO BODY (STAINLESS STEEL)	BN4-BN7 & BT7	2	RMP0416 (323-615)	£0.81
WS4160	SCREW - PILLAR TO FRAME	BN1-BN2	8	51K2375	£0.94
WS4170	CHROME SCREW - PILLAR TO FRAME	BN4-BN7 & BT7	8	54K195 (323-625)	£0.42
WS4180	CHROME SCREW - PILLAR TO FRAME	BJ7-BJ8	8	RMP308 (323-080)	£0.52
WS4190	HOOKS - WINDSCREEN PILLAR (PR)	BJ7-BJ8	1	AHB9785 (031-414)	£29.25
WS4200	KNURLED KNOB - WINDSCREEN	BN1-BN2	2	14B1859 (805-240)	£11.25
WS4210	PIN - FOR KNURLED KNOB	BN1-BN2	2	14B1860 (806-655)	£11.30
WS4220	SPRING ASSEMBLY - WINDSCREEN	BN1-BN2	2	14B2682 (805-150)	£12.50
WS4230	LOCATING PIN - SCREEN PILLAR	BN1-BN2	4	14B1856	£5.73
WS4240	CHROME FOOT - WINDSCREEN	BN1-BN2	2	14B1769 (805-247)	£24.92
WS4250	CHROME FOLD DOWN LINK - WINDSCREEN	BN1-BN2	2	14B1857 (021-954)	£38.50
WS4270	WIPER ARM - RHD	BN1-	2	14B2688	£12.95
WS4271	WIPER ARM - LHD	BN1-	2	14B2689 (560-400)	£17.97
WS4272	WIPER ARM - RHD	BN2-BT7	2	14B5596 (165-035)	£10.25
WS4273	WIPER ARM - LHD	BN2-BT7	2	14B5597 (164-990)	£11.67
WS4274	WIPER ARM - RHD	BJ7-BJ8	2	BHA4351	£12.95
WS4275	WIPER ARM - LHD	BJ7-BJ8	2	BHA4354 (164-950)	£13.87
WS4280	WIPER BLADE	BN1-BT7	2	GWB145 (164-980)	£8.48

WS

Windscreens & Glass

PART No	DESCRIPTION	APPLICATION	QTY	NOTES	PRICE
WS4281	WIPER BLADE	BJ7-BJ8	2	GWB219 (560-390)	£7.50
WS4290	CHROME WIPER NUT	BN1	2	(554-135)	£2.35
WS4291	CHROME WIPER NUT	BN2-BJ8	2	ANK3459 (311-065)	£1.85
WS4300	ESCUTCHEON - CHROME - WIPER	BN1	2	(568-065)	£9.55
WS4301	ESCUTCHEON - CHROME - WIPER	BN2-BJ8	2	ADB826 (145-290)	£3.25
WS4303	SPACER - WIPER WHEEL BOX	BN2-BJ8	2		£14.46
WS4310	SEAL - RUBBER FOR ESCUTCHEON	BN2-BJ8	2	ADC560 (282-820)	£0.60
WS4320	WHEEL BOX - WIPER (WITH NUT)	BN1	2	14B1947	£40.78
WS4330	WHEEL BOX - WIPER (WITH NUT)	BN2-BJ8	2	37H6316 (145-217)	£29.95
WS4331	WHEEL BOX - WIPER (WITH NUT) ORIG. LUCAS	BN2-BJ8	2	37H6316 (145-217)	£38.95
WS4340	WIPER RACK	BN2-BJ8	1	37H5169 (161-310)	£9.95
WS4345	WIPER RACK - TUBE SET (3 PIECE)	BN2-BJ8	1	14B5589	£38.15
WS4350	WIPER MOTOR CRT - EXCHANGE ONLY	BN1	1	14B1948 (546-030)	£115.50
WS4351	WIPER MOTOR DR2 - OUTRIGHT (LESS GEAR ASSY)	BN2-BJ7	1	14B5584 (568-010)	£140.46
WS4352	WIPER MOTOR DR3A - OUTRIGHT (LESS GEAR ASSY)	BJ8	1	37H5308 (568-028)	£140.46
WS4355	WIPER MOTOR - OUTRIGHT (2 SPEED)	BJ8	1	DR3 (INCLS. 120 GEAR ASSY)	£283.79
WS4360	SHAFT & GEAR - WIPER MOTOR	BN2-BJ7	1	120 DEGREE	£31.45
WS4361	SHAFT & GEAR - WIPER MOTOR	BJ8	1	(560-360)	£31.45
WS4370	CARBON BRUSH - PR - WIPER MOTOR (BRUSH ONLY)	BN2-BJ8	1	7H5130 (554-030)	£6.95
WS4371	BRUSH SET - WIPER MOTOR (ORIG. LUCAS)	BN2-BJ8	1	7H5130	£18.95
WS4380	NUT & UNION ASSY. - WIPER CASING	BN2-BJ8	1		£13.45
WS4400	MOUNTING KIT - WIPER MOTOR	BN1-BJ8	1	17H5431 (145-637)	£12.35
WS4410	WASHER BOTTLE - WINDSCREEN (LESS CAP)	BN4-BJ7	1	37H729 (361-125)	£17.75
WS4420	WASHER BOTTLE - WINDSCREEN (INCLUDES CAP)	BJ8	1	13H227 (361-148)	£6.10
WS4430	BOTTLE TOP	BN4-BJ8	1	AHH6848 (361-140)	£5.95
WS4431	BRACKET - WASHER BOTTLE	BN4-BJ7	1	27H9671 (565-005)	£10.84
WS4435	DECAL - TUDOR (WASHER BOTTLE)	BN1-BJ8	AR	CRST124	£0.95
WS4440	BRACKET - WASHER BOTTLE	BJ8	1	13H232 (361-245)	£8.35
WS4470	JET - WINDSCREEN WASHER	BN6-BJ8	2	13H231 (361-240)	£2.80
WS4475	JET- WINDSCREEN WASHER (TWIN)	BN1-BN4	1		£4.50
WS4480	TUBING - WINDSCREEN WASHER (PER METRE)	BN1-BJ8	AR	(361-210)	£0.79
WS4490	T PIECE - WINDSCREEN WASHER	BN1-BJ8	1	(565-040)	£1.10
WS4500	PUMP - WINDSCREEN WASHER (LESS KNOB & CUP)	BN4-BJ7	1	17H2672	£17.95
WS4510	PUMP - WINDSCREEN WASHER	BJ8	1	BHA4362 (565-170)	£21.95
WS4520	KNOB - SCREEN WASHER PUMP	BN4-BJ7	1	27H9625 (150-889)	£9.91
WS4530	NON RETURN VALVE - IN LINE	BN1-BJ8	1	GWW515 (361-145)	£2.67
WS4531	FOOT VALVE - WASHER BOTTLE	BN1-BJ8	1	GWW506	£1.40
WS4540	TUBING - WASHER JETS TO T PIECE (PER METRE)	BN1-BJ8	1	37H9708 (361-220)	£1.05
WS4550	CUP ASSEMBLY - WASHER PUMP	BN4-BJ7	1		£12.62
WS4580	DOOR GLASS - RH	BJ7-BJ8	1	AHB9425 (021-861)	£60.50
WS4581	DOOR GLASS - LH	BJ7-BJ8	1	AHB9426 (021-860)	£60.50
WS4610	GLAZING RUBBER - QUARTER LIGHT	BJ7-BJ8	2	17H2531 (680-667)	£1.65
WS4620	GLASS - QUARTER LIGHT - RH	BJ7-BJ8	1	AHB9427 (021-875)	£63.05
WS4621	GLASS - QUARTER LIGHT - LH	BJ7-BJ8	1	AHB9428 (021-865)	£63.05



WS

Notes





Notes





Notes





Notes





Notes





Notes



